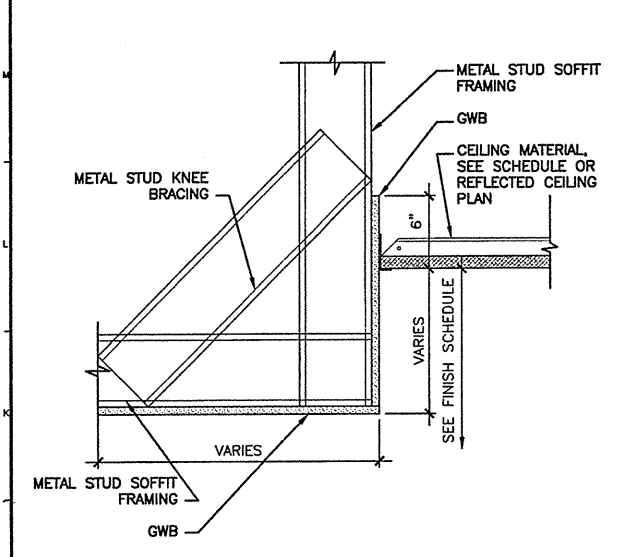
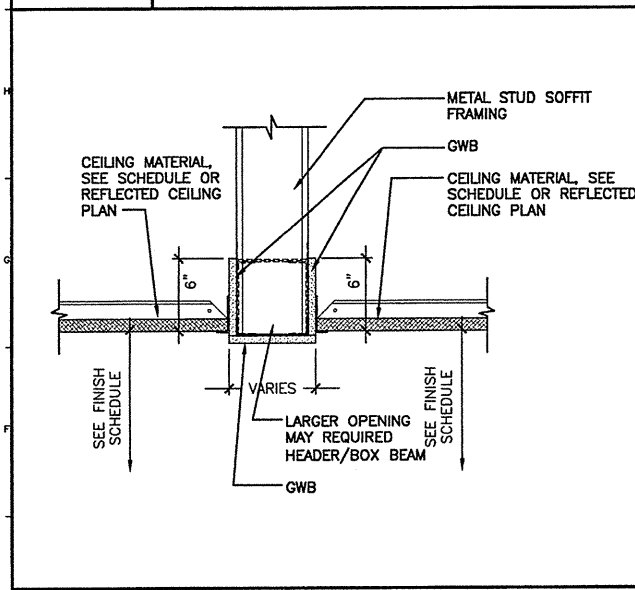


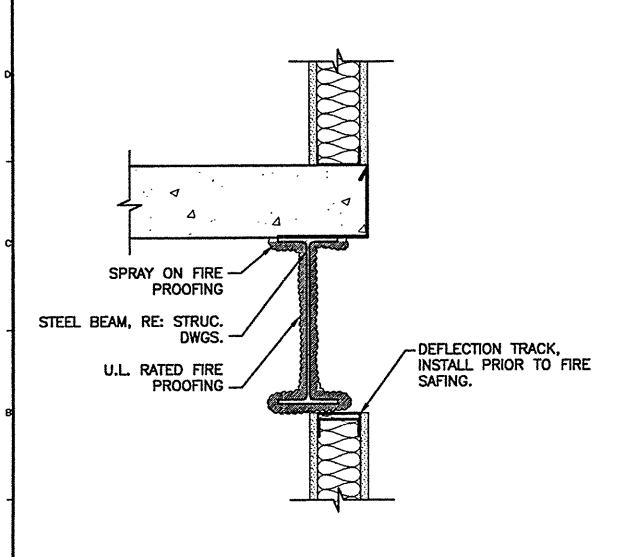
**N1 SOFFIT DETAIL**  
1-1/2" = 1'-0" AE111, AE113



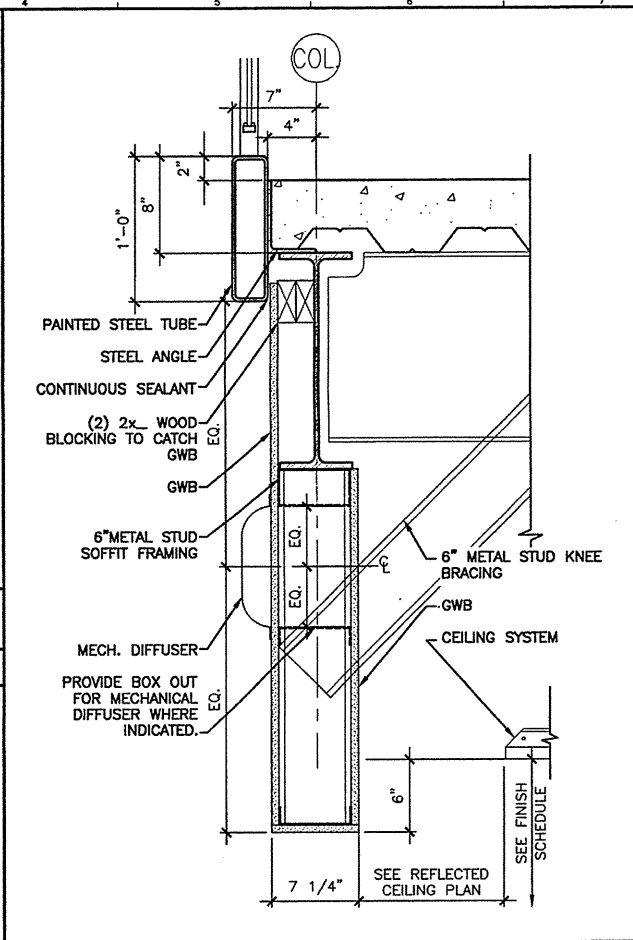
**J1 SOFFIT DETAIL**  
1-1/2" = 1'-0" AE111, AE112, AE113



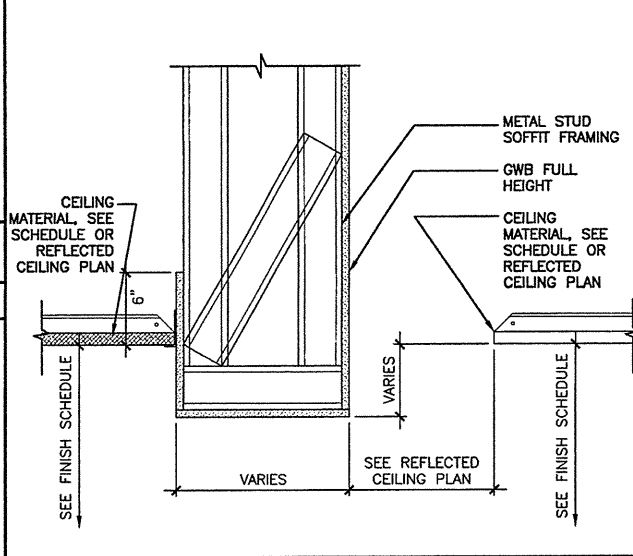
**E1 SOFFIT DETAIL**  
1-1/2" = 1'-0" AE111



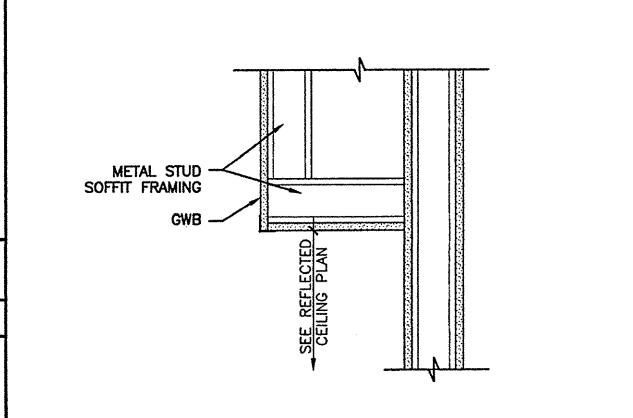
**A1 DETAIL**  
1-1/2" = 1'-0" AE402



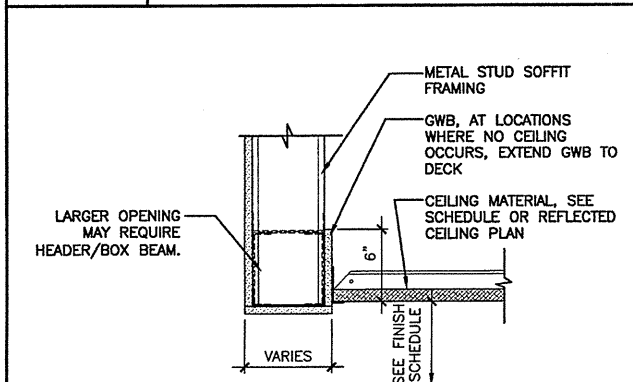
**L4 SOFFIT DETAIL**  
1-1/2" = 1'-0" AE102, AE103, AE111, AE112



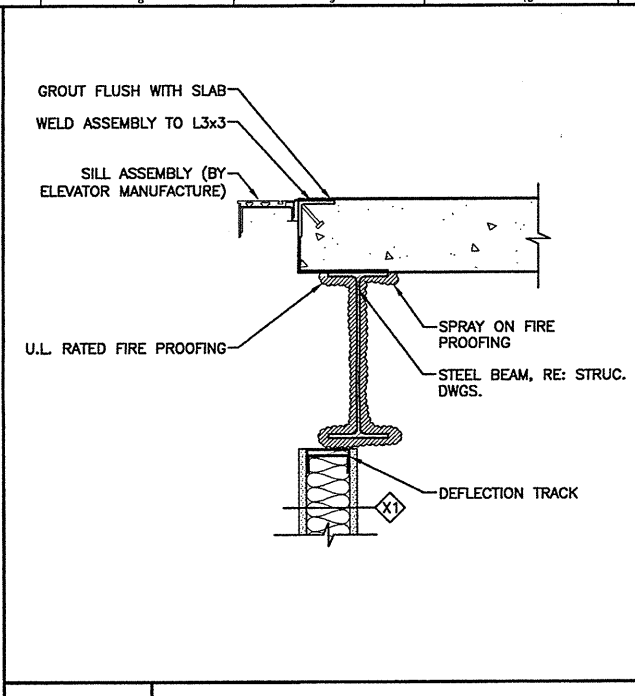
**G4 SOFFIT DETAIL**  
1-1/2" = 1'-0" AE113



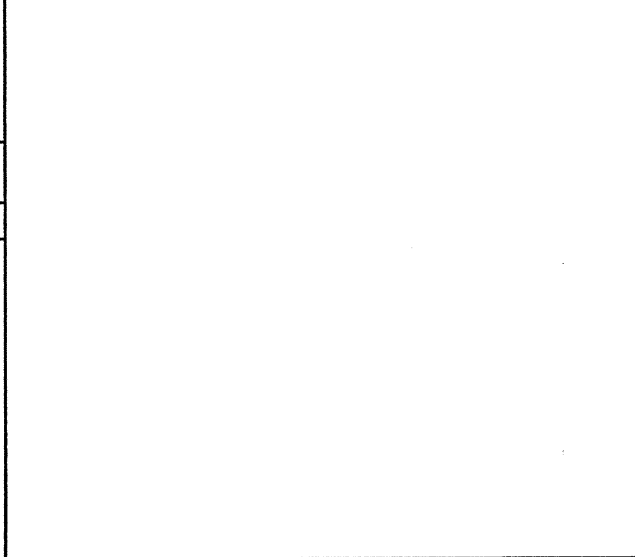
**D4 SOFFIT DETAIL**  
1-1/2" = 1'-0" AE111



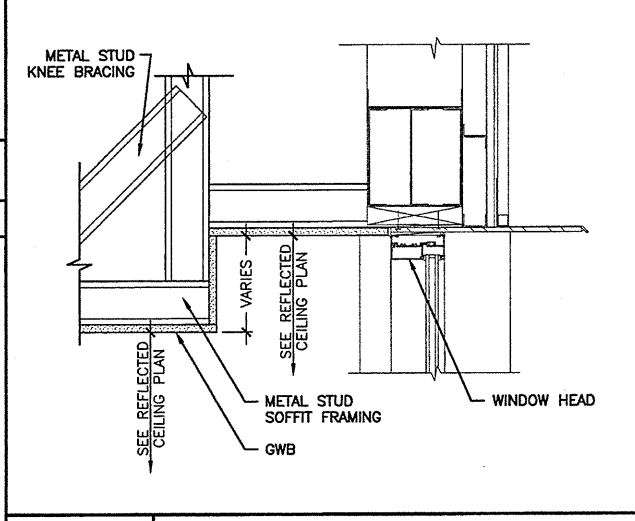
**A4 DETAIL**  
1-1/2" = 1'-0" AE113



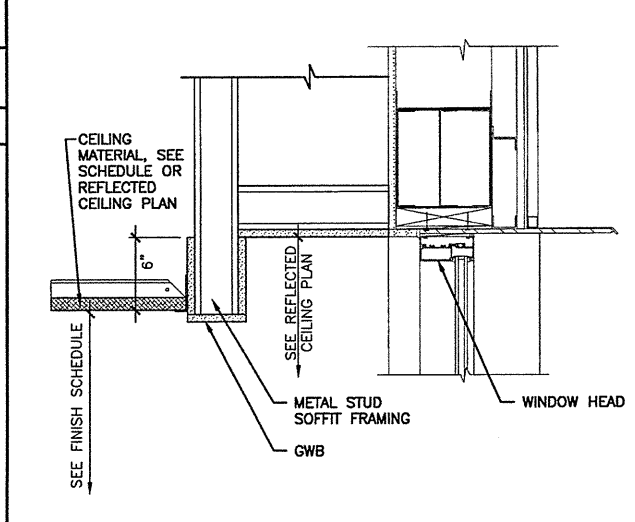
**M7 DETAIL**  
1-1/2" = 1'-0" AE402



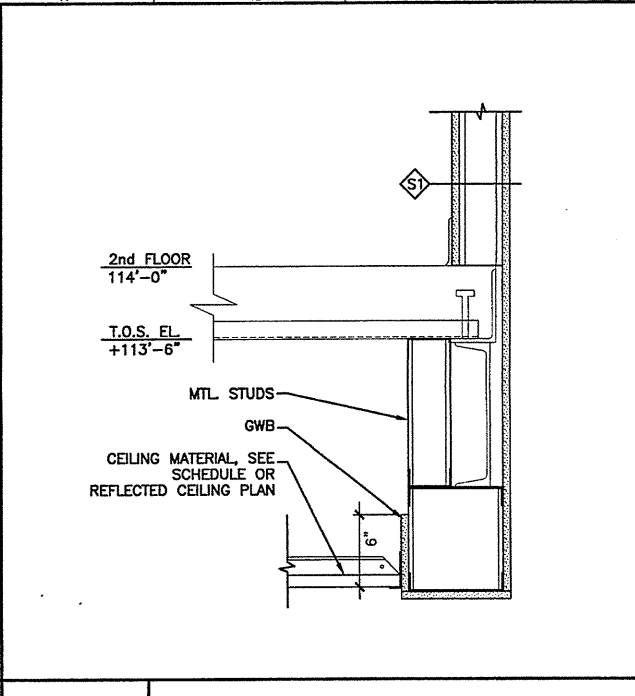
**H7 DETAIL**  
1-1/2" = 1'-0" AE111, AE112, AE113



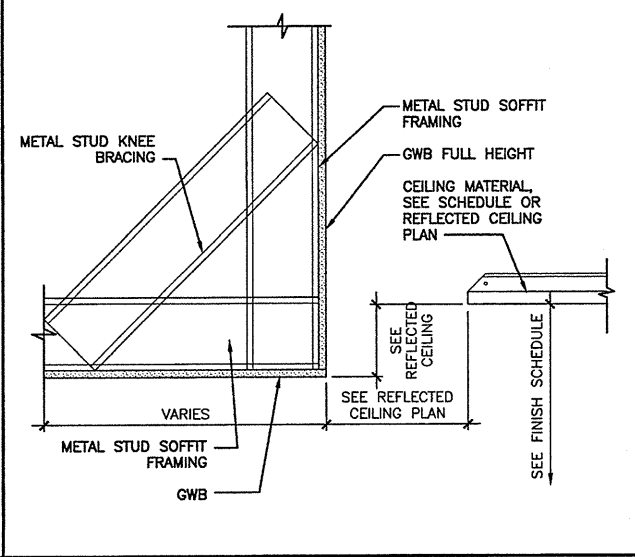
**E7 DETAIL**  
1-1/2" = 1'-0" AE113



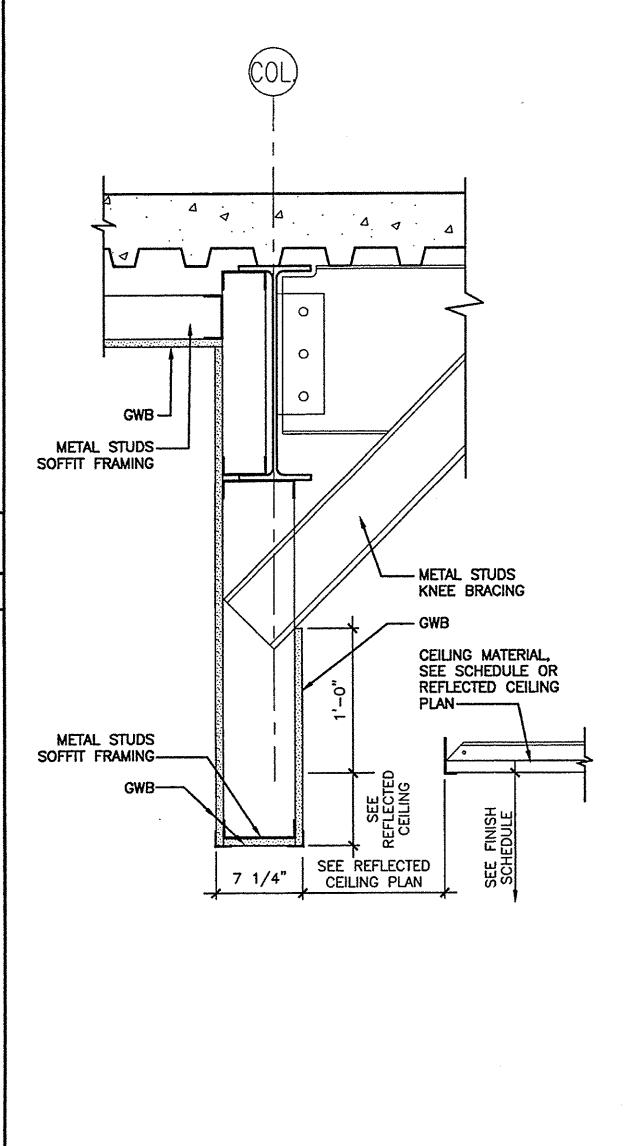
**A7 DETAIL**  
1-1/2" = 1'-0" AE113



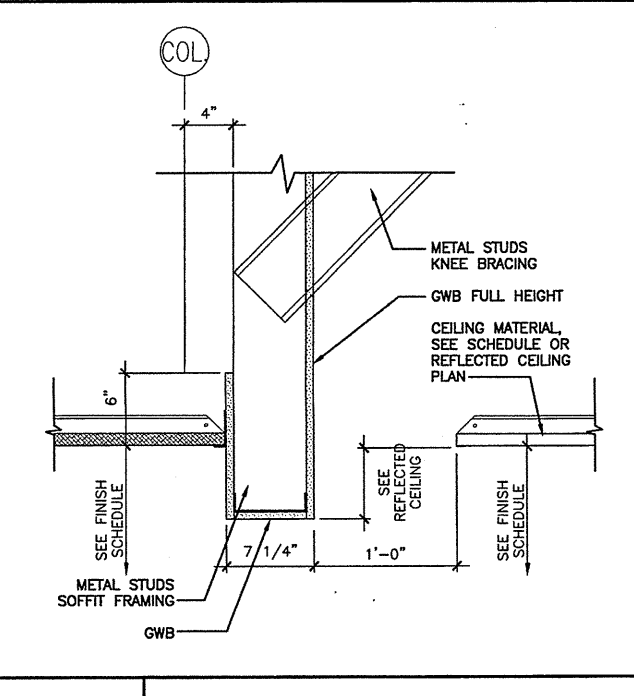
**M11 DETAIL**  
1-1/2" = 1'-0" AE111



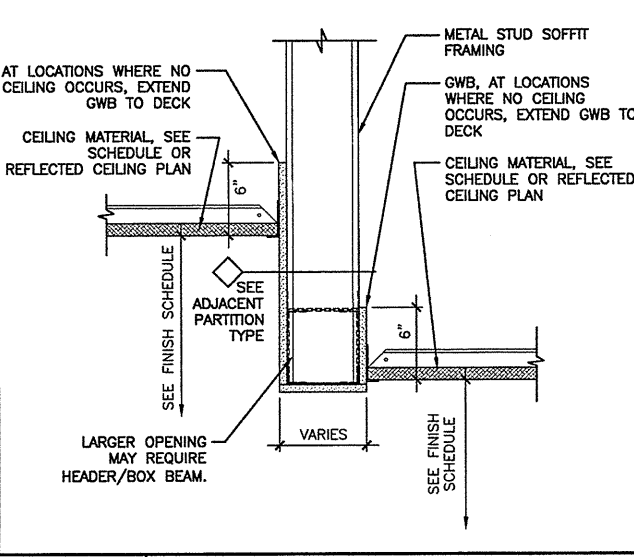
**H11 DETAIL**  
1-1/2" = 1'-0" AE111, AE112, AE113



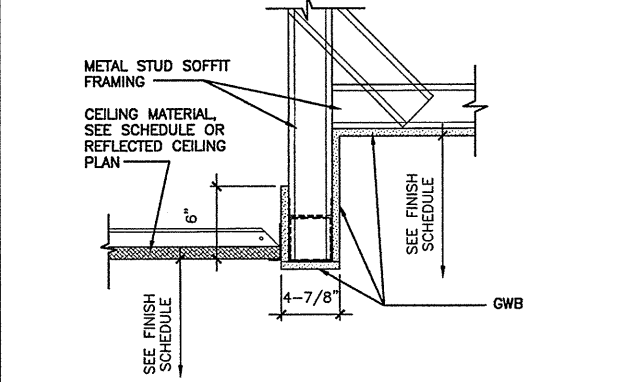
**A11 DETAIL**  
1-1/2" = 1'-0" AE111, AE112



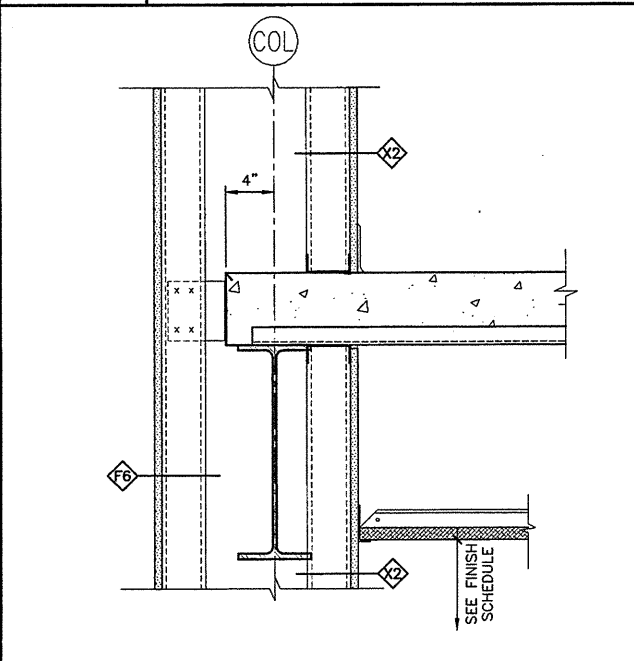
**M14 DETAIL**  
1-1/2" = 1'-0" AE111, AE112



**H14 DETAIL**  
1-1/2" = 1'-0" AE112, AE113



**E15 DETAIL**  
1-1/2" = 1'-0" AE113

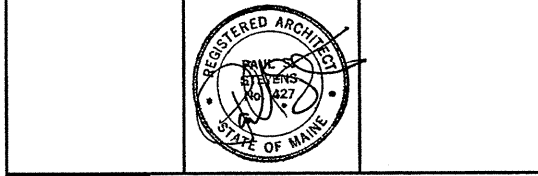


**A14 DETAIL**  
1-1/2" = 1'-0" AE102

**GENERAL NOTES:**  
1.

0	ISSUED FOR CONSTRUCTION	10-23-03
REV.	DESCRIPTION	DATE

**ISSUED FOR CONSTRUCTION 10-23-03**  
CURRENT ISSUE STATUS:



**SMRT** ARCHITECTURE ENGINEERING PLANNING  
SMRT  
144 Fore Street P.O. Box 618  
Portland, Maine 04104  
tel. (207) 772-3846  
fax. (207) 772-1070

**THE GULF OF MAINE RESEARCH INSTITUTE**  
PORTLAND, MAINE

**SECTION DETAILS**

SHEET TITLE:	AS NOTED	DATE:	10-23-03
SCALE:	DRL	GRAPHIC SCALE:	0" = 1"
PROJECT MANAGER:	SDL	SHEET No.	
JOB CAP/DRAWN:	PSS		
A/E OF RECORD:	AE502-03034		
SMRT CAD FILE:	03034		
PROJECT No.			<b>AE502</b>