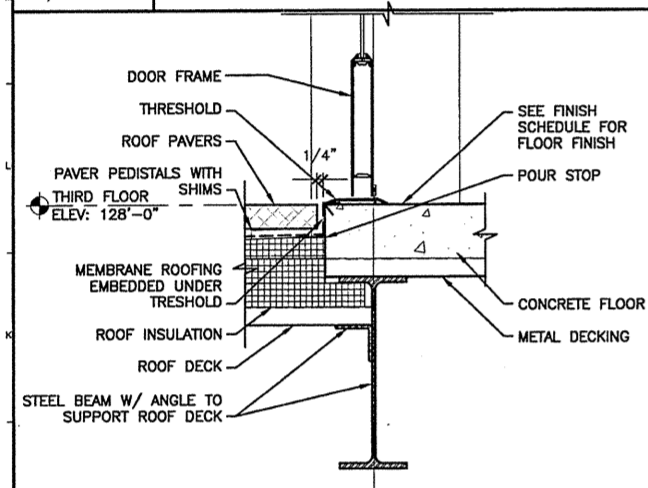
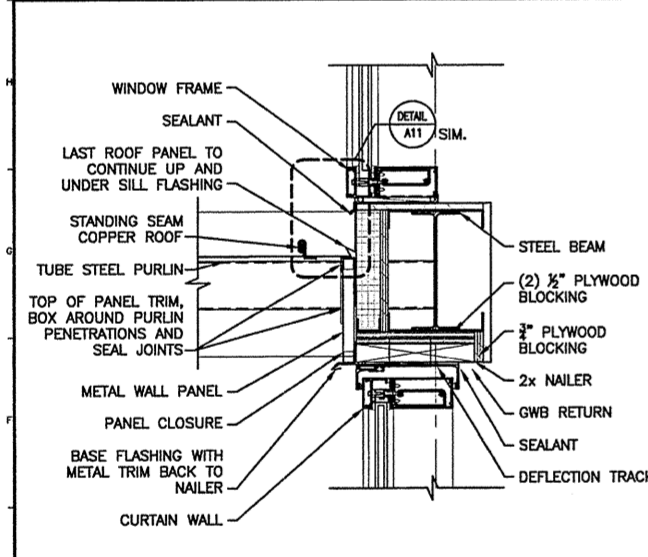


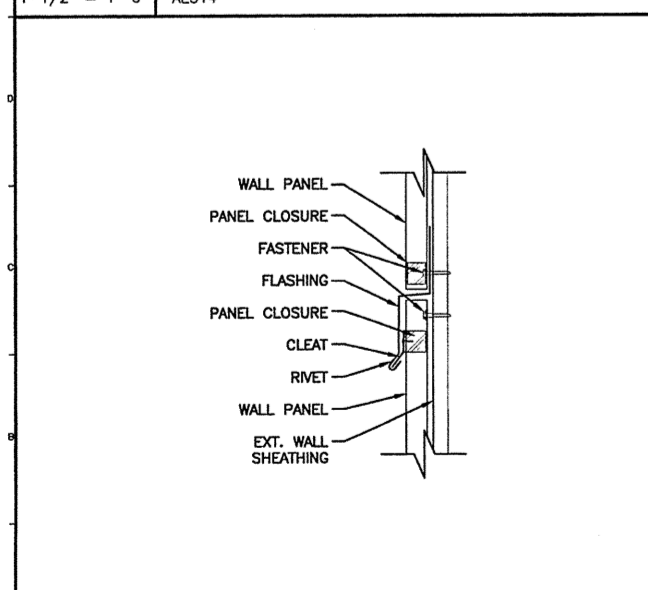
**M1 DETAIL**  
1-1/2" = 1'-0" AE314



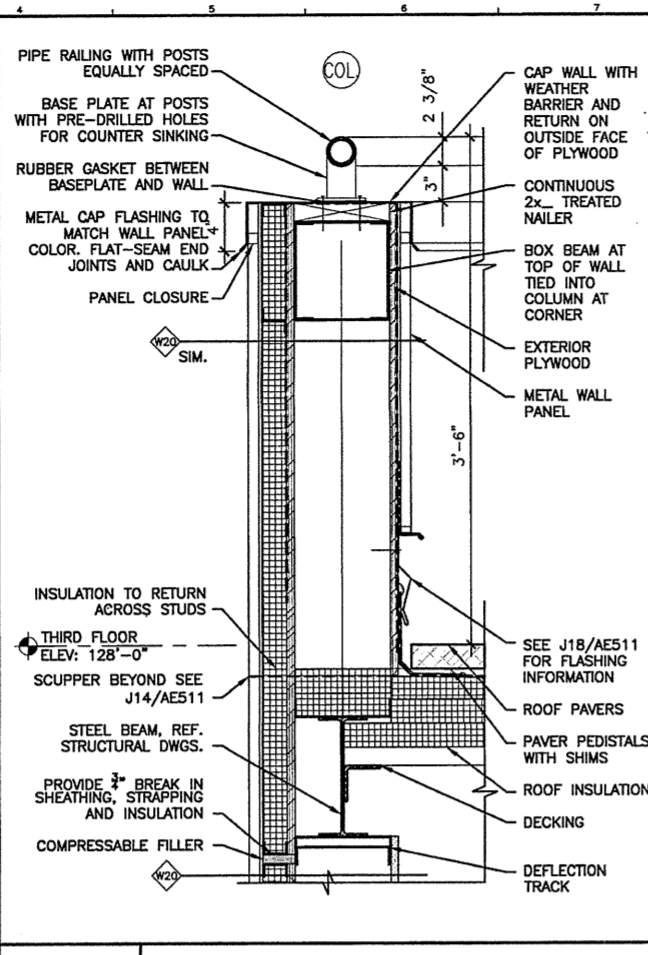
**J1 DETAIL**  
1-1/2" = 1'-0" AE314



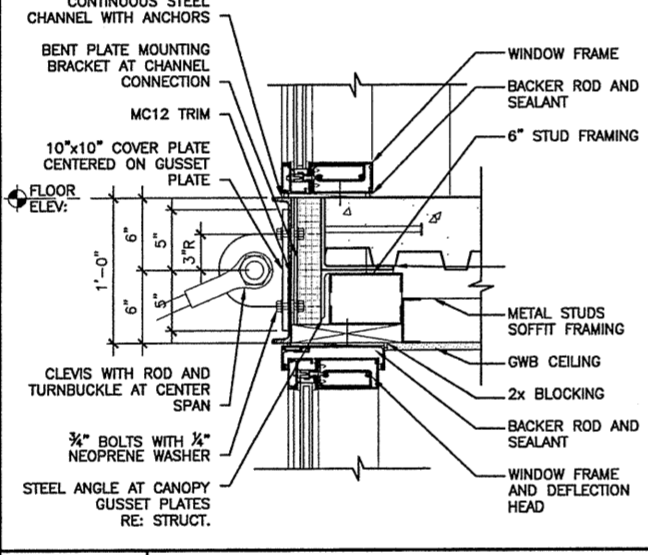
**E1 DETAIL**  
1-1/2" = 1'-0" AE314



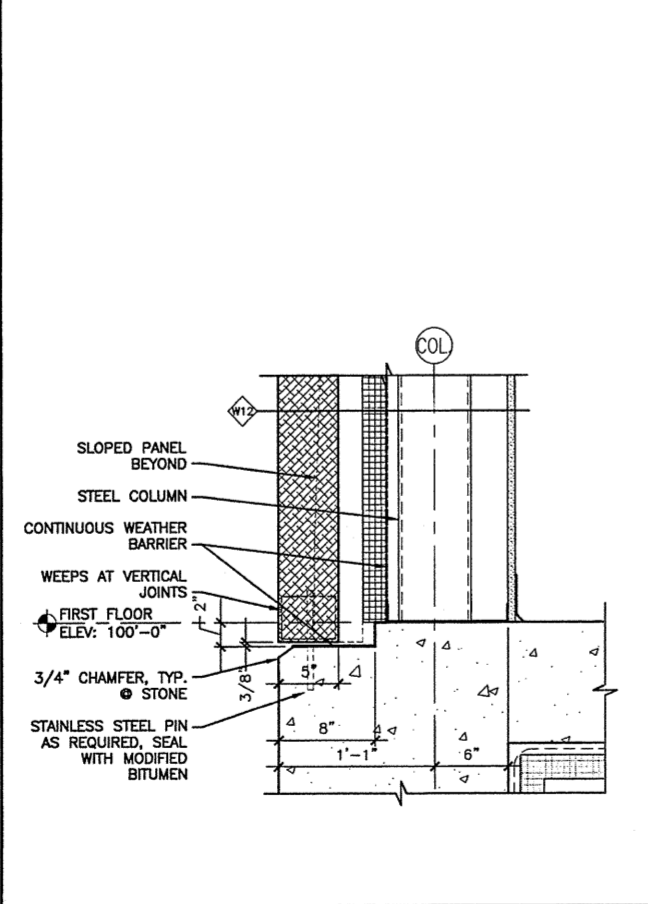
**A1 PANEL JOINT DETAIL**  
3" = 1'-0" AE201, AE202



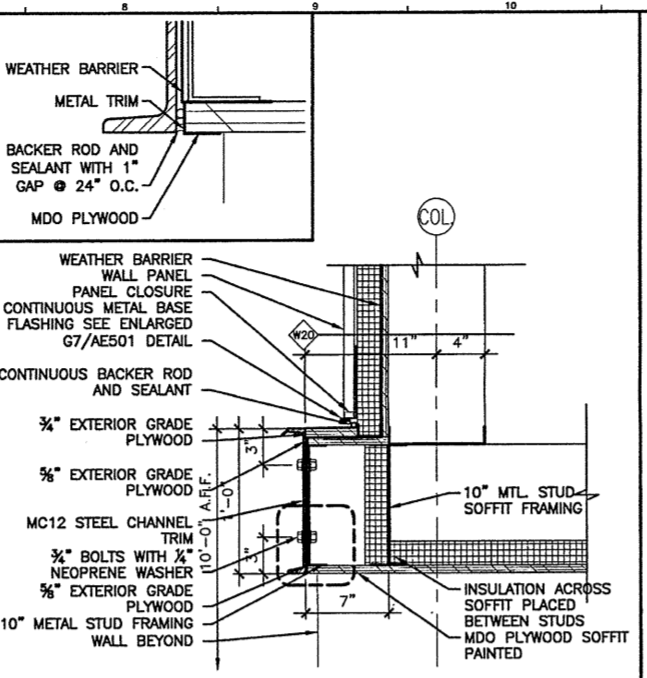
**M4 DETAIL**  
1-1/2" = 1'-0" AE314



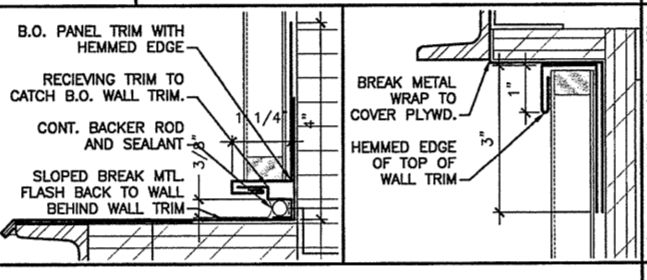
**G4 DETAIL**  
1-1/2" = 1'-0" AE313



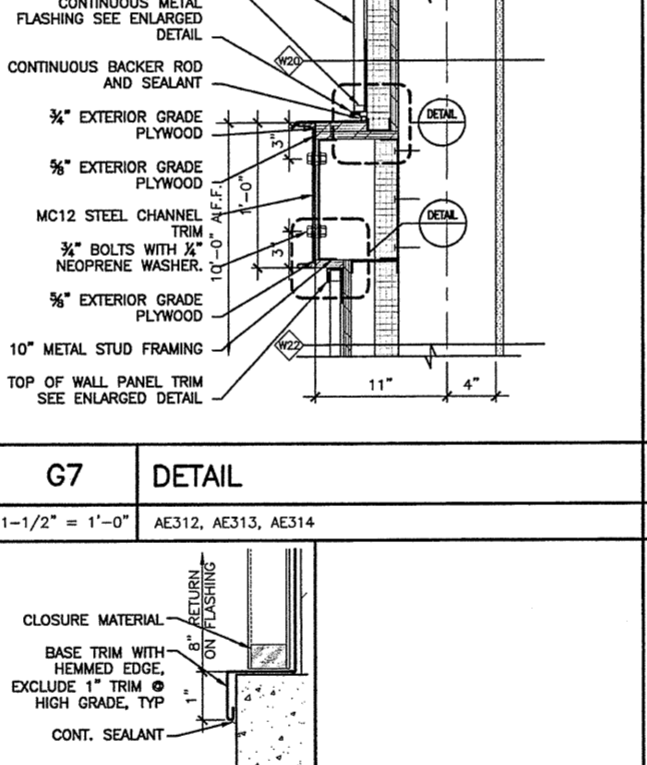
**A4 BASE DETAIL AT BUMP OUT**  
1-1/2" = 1'-0" AE311, AE315



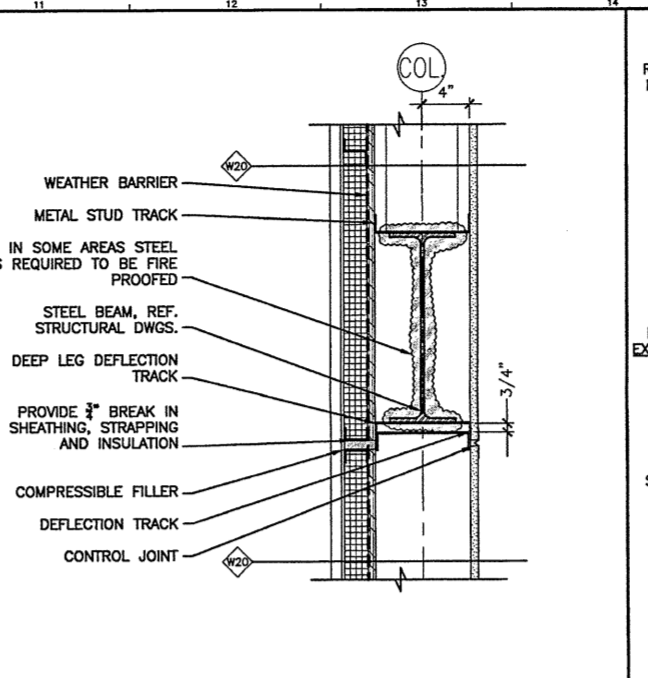
**M7 DETAIL**  
1-1/2" = 1'-0" AE312



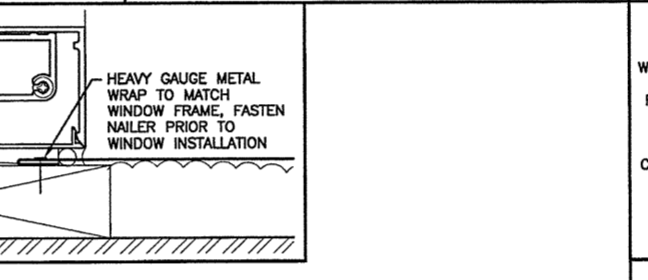
**G7 DETAIL**  
1-1/2" = 1'-0" AE312, AE313, AE314



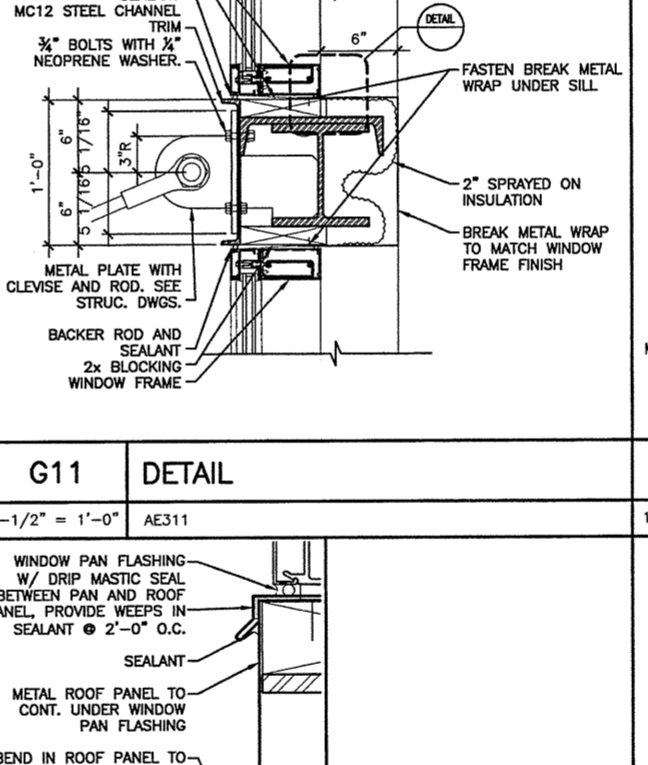
**A7 BASE DETAIL AT MTL. PANEL**  
1-1/2" = 1'-0" AE312, AE313, AE314



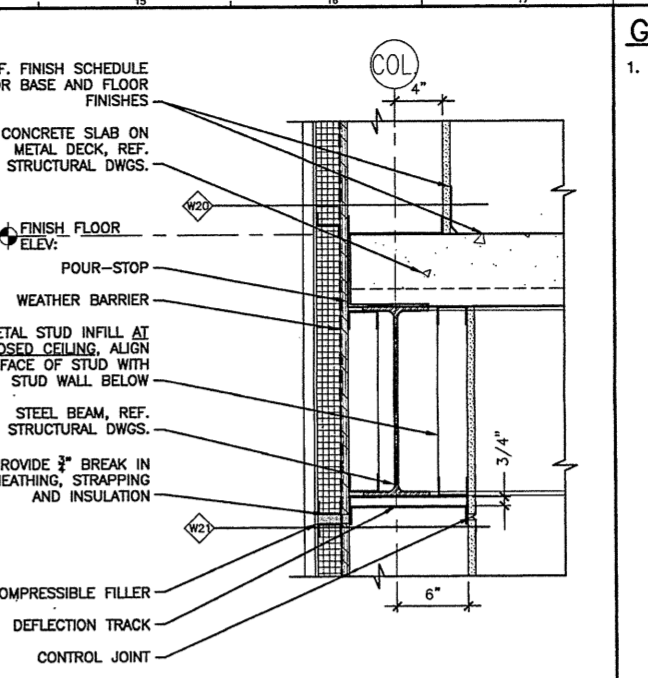
**M11 DETAIL**  
1-1/2" = 1'-0" AE312



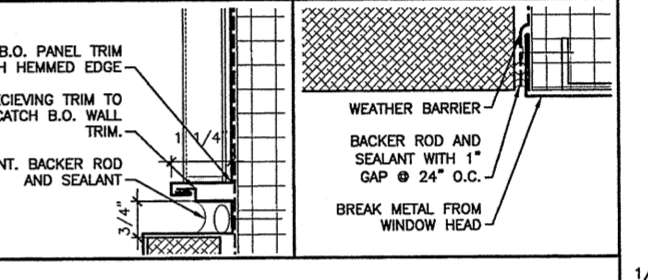
**G11 DETAIL**  
1-1/2" = 1'-0" AE311



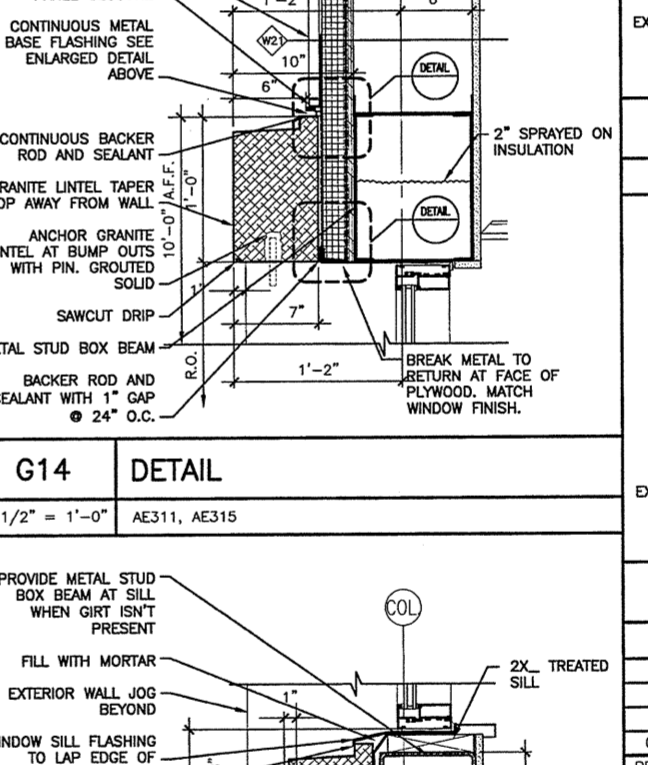
**A11 DETAIL**  
1-1/2" = 1'-0" AE311, AE313



**M14 DETAIL**  
1-1/2" = 1'-0" AE311, AE312, AE313, AE314, AE315

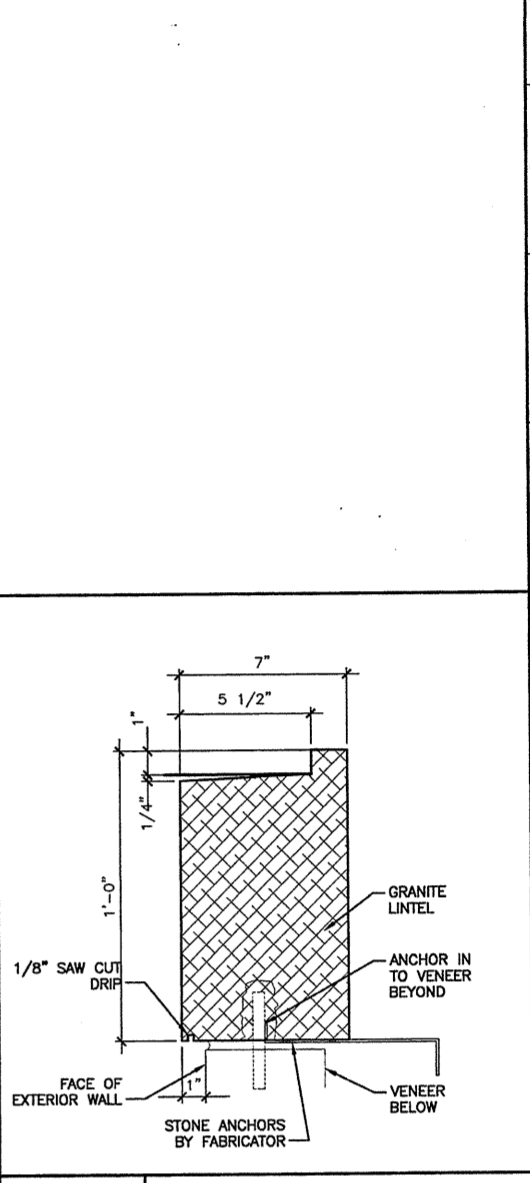


**G14 DETAIL**  
1-1/2" = 1'-0" AE311, AE315

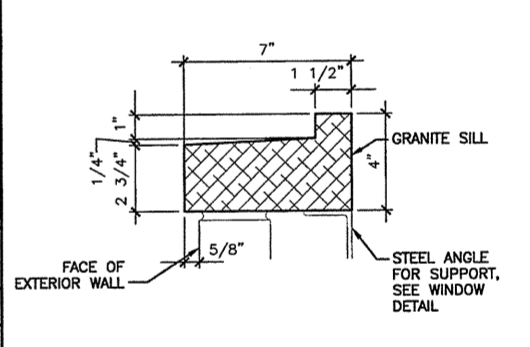


**A14 BASE DETAIL AT WINDOW**  
1-1/2" = 1'-0" AE311, AE312

**GENERAL NOTES:**



**J18 LINTEL PROFILE DETAIL**  
3" = 1'-0" AE501



**F18 SILL PROFILE DETAIL**  
3" = 1'-0" AE501

ISSUED FOR CONSTRUCTION	10-23-03
DESCRIPTION	DATE
<b>ISSUED FOR CONSTRUCTION</b>	
<b>10-23-03</b>	
CURRENT ISSUE STATUS:	

**SMRT** ARCHITECTURE ENGINEERING PLANNING  
144 Fore Street, P.O. Box 618  
Portland, Maine 04104  
tel. (207) 772-3846  
fax. (207) 772-1070

**THE GULF OF MAINE RESEARCH INSTITUTE**  
PORTLAND, MAINE

PROJECT: SECTION DETAILS

SHEET TITLE: AE501

SCALE: AS NOTED DATE: 10-23-03  
PROJECT MANAGER: DRL GRAPHIC SCALE: 1" = 1'-0"  
JOB CAP/DRAWN: SDL  
A/E OF RECORD: PSS SHEET No.  
SMRT CAD FILE: AE501-03034  
PROJECT No. 03034