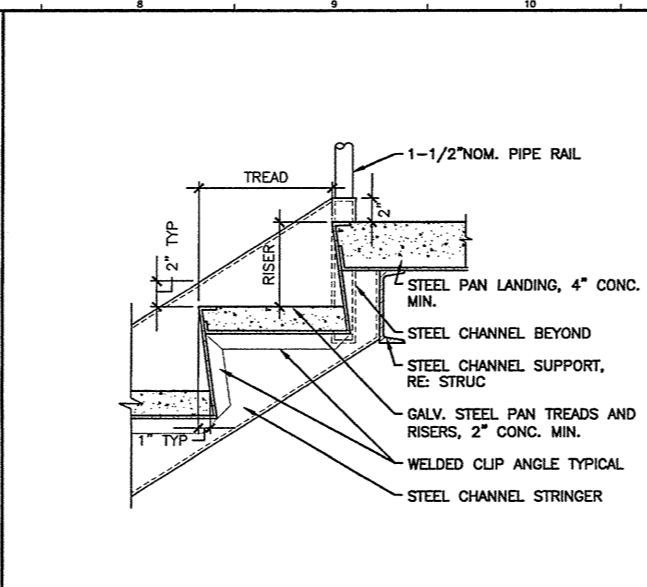


N1 -

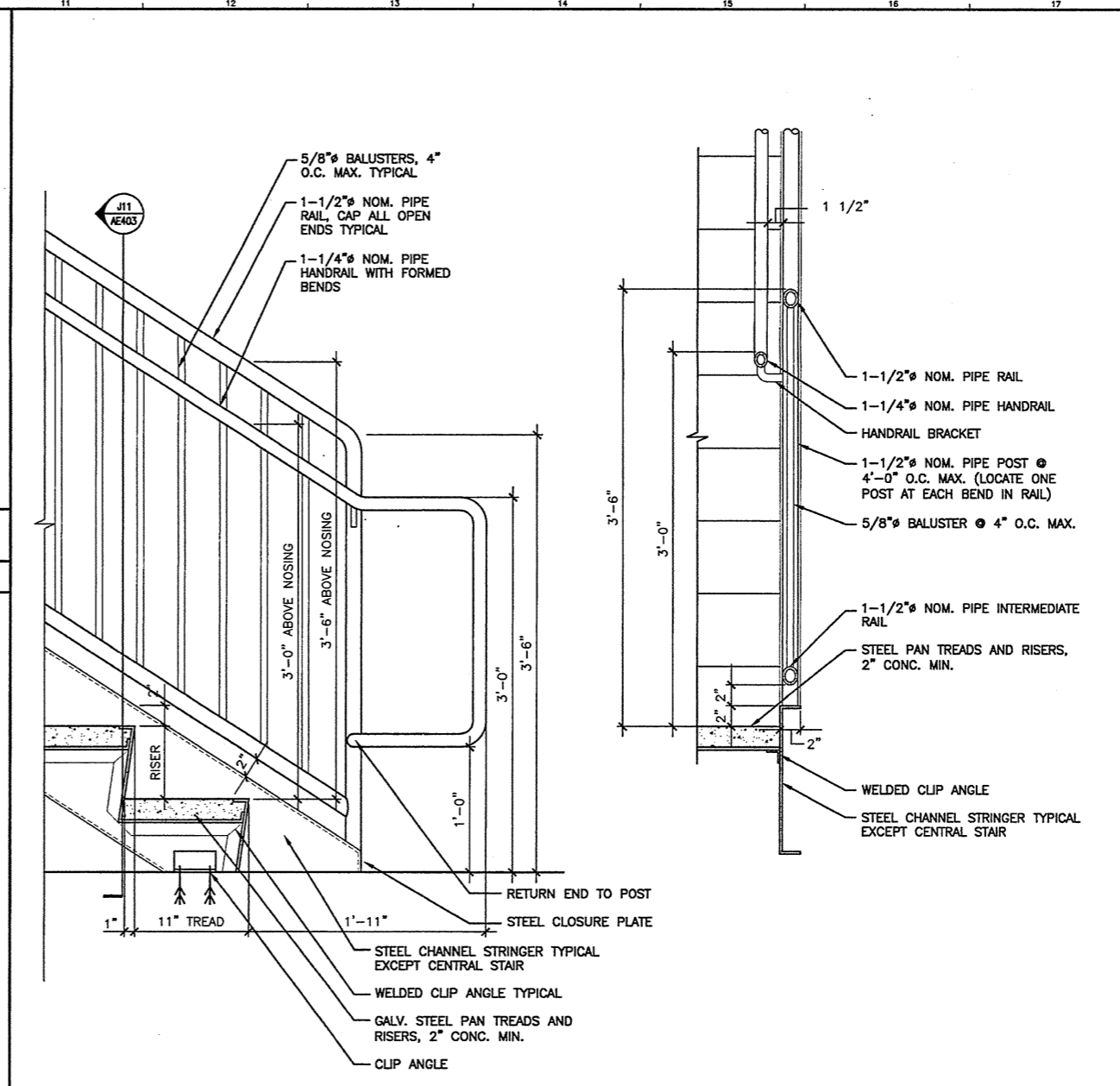
N3 GUARDRAIL DETAIL

1-1/2" = 1'-0" AE102, AE103



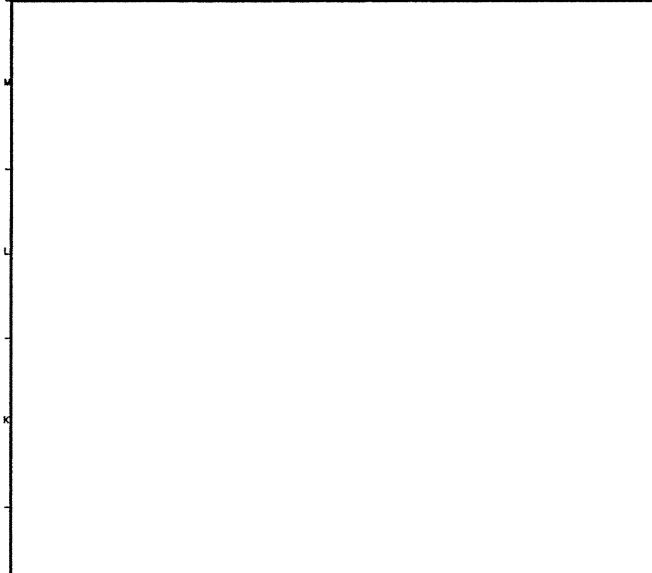
N7 STAIR DETAIL

1-1/2" = 1'-0" AE401, AE402



J11 GUARDRAIL ELEVATION AND SECTION AT TYPICAL STAIR

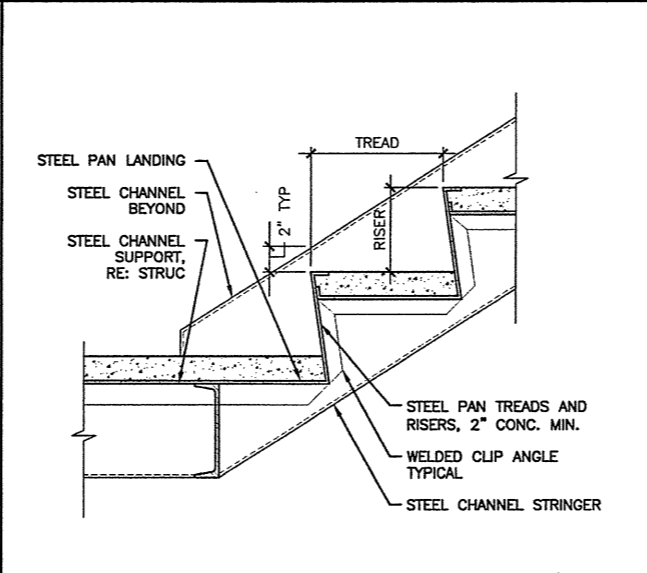
1-1/2" = 1'-0" AE401, AE402



J1 -

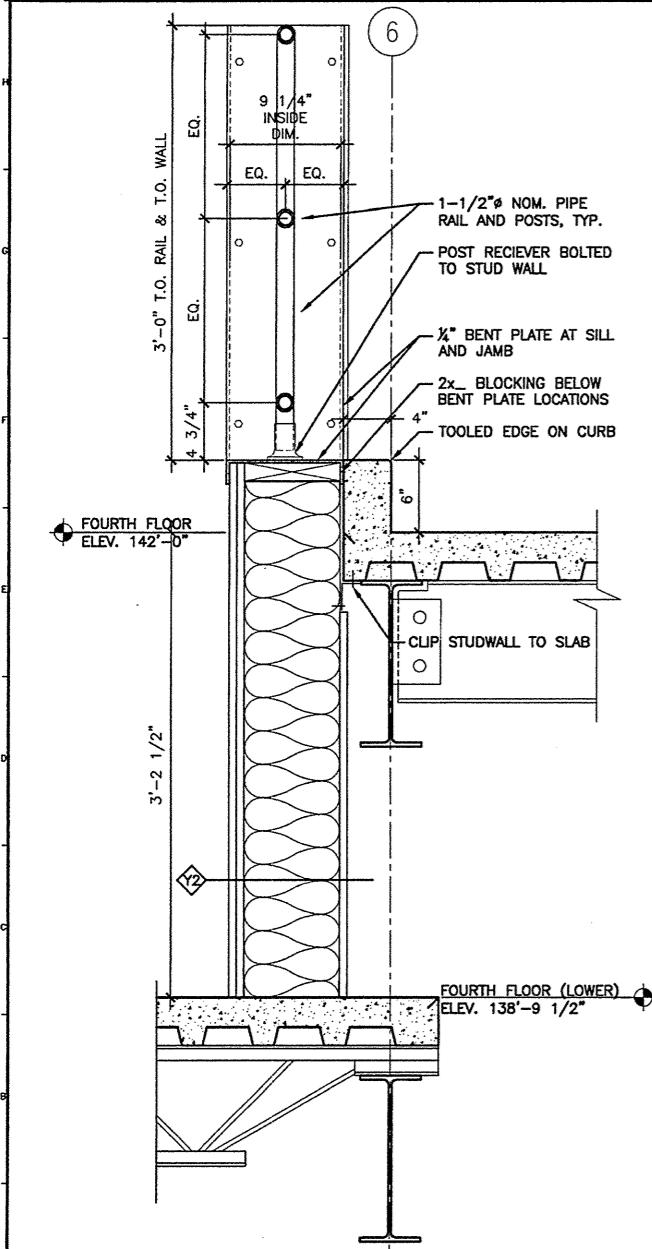
J4 STAIR DETAIL

1-1/2" = 1'-0" AE401



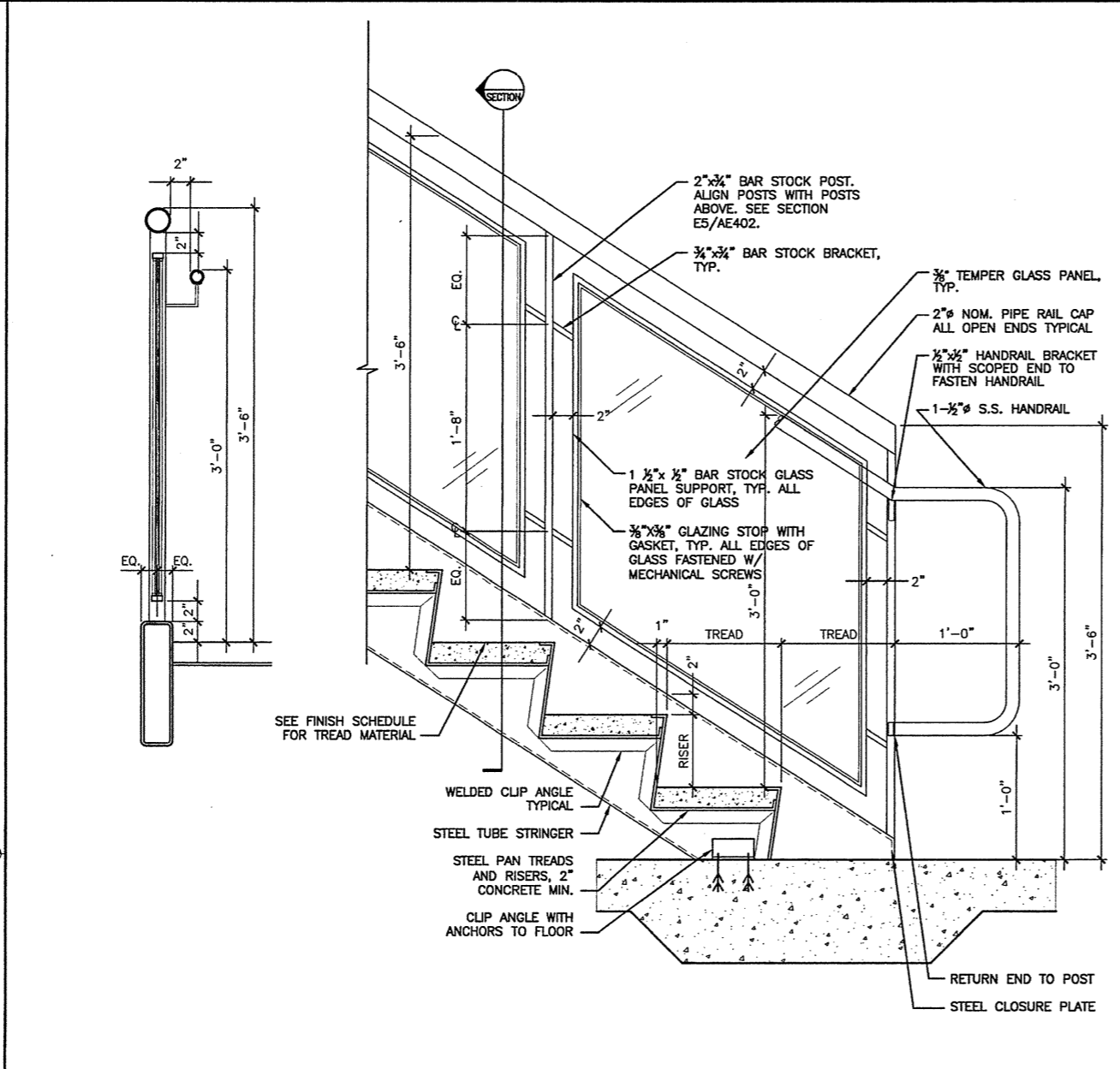
J7 STAIR DETAIL

1-1/2" = 1'-0" AE401



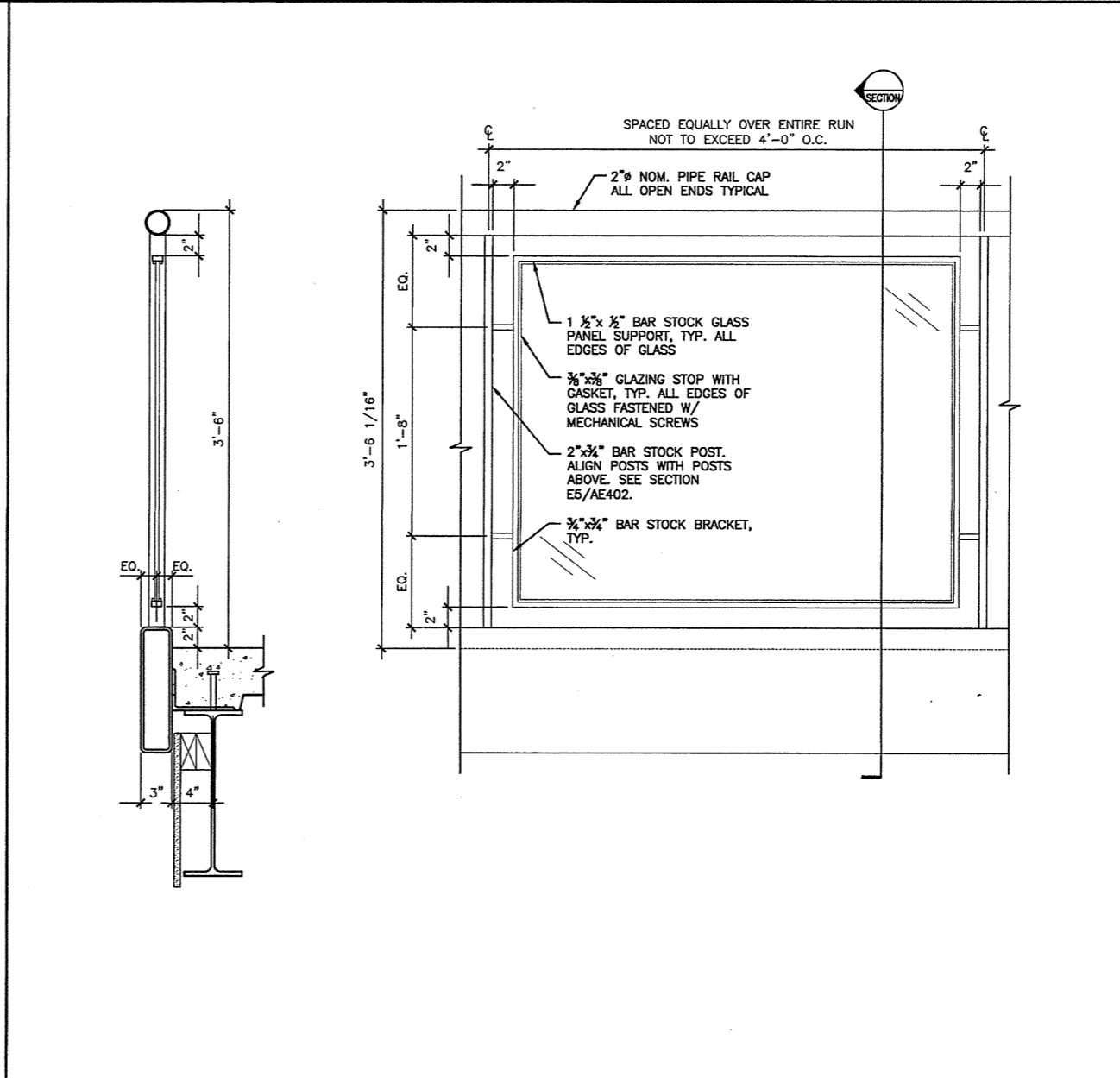
A1 SECTION DETAIL

1-1/2" = 1'-0" AE402



A4 GUARDRAIL ELEVATION AND SECTION AT CENTRAL STAIR

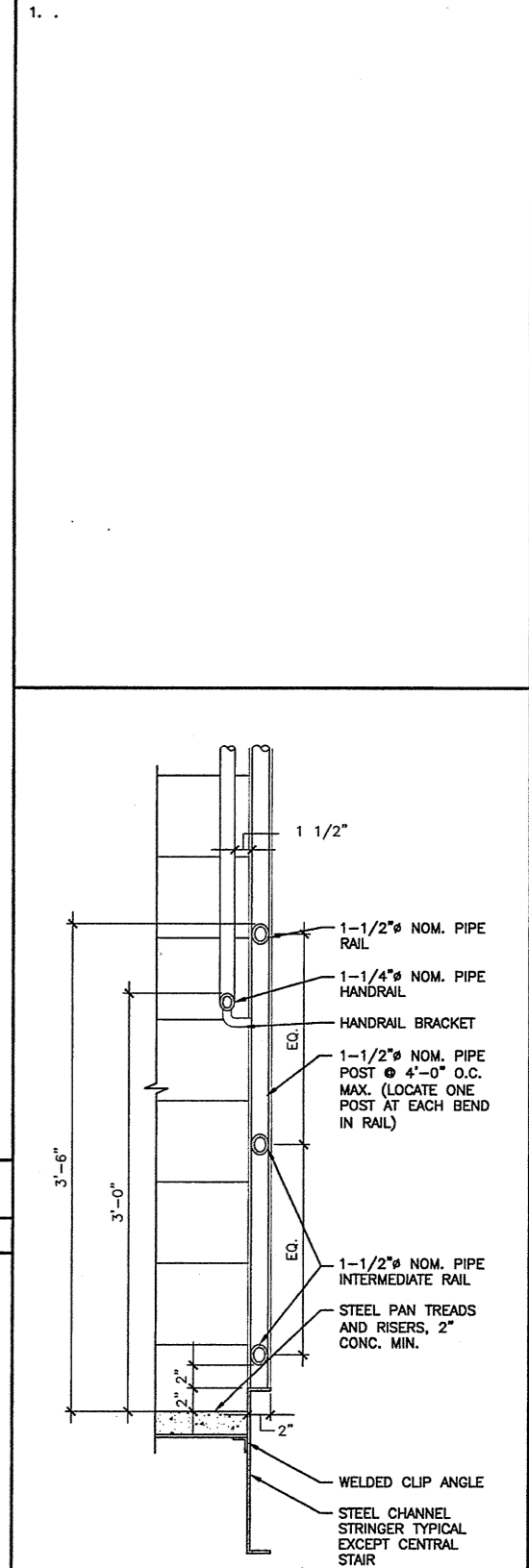
1-1/2" = 1'-0" AE402



A11 GUARDRAIL ELEVATION AND SECTION

1-1/2" = 1'-0" AE314

GENERAL NOTES:

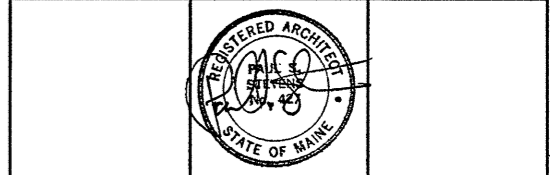


F18 RAILING DETAIL

1-1/2" = 1'-0" AE402

0	ISSUED FOR CONSTRUCTION	10-23-03
REV.	DESCRIPTION	DATE

ISSUED FOR CONSTRUCTION
10-23-03



SMRT ARCHITECTURE ENGINEERING PLANNING
144 Fore Street P.O. Box 618
Portland, Maine 04104
tel. (207) 772-3846
fax. (207) 772-1070

THE GULF OF MAINE RESEARCH INSTITUTE
PORTLAND, MAINE

PROJECT: STAIR DETAILS

SCALE:	AS NOTED	DATE:	10-23-03
PROJECT MANAGER:	DRL	GRAPHIC SCALE:	0" = 1'
JOB CAP/DRAWN:	SDL	A/E OF RECORD:	PSS
SMRT CAD FILE:	AE403-03034	SHEET No.	AE403
PROJECT No.	03034		