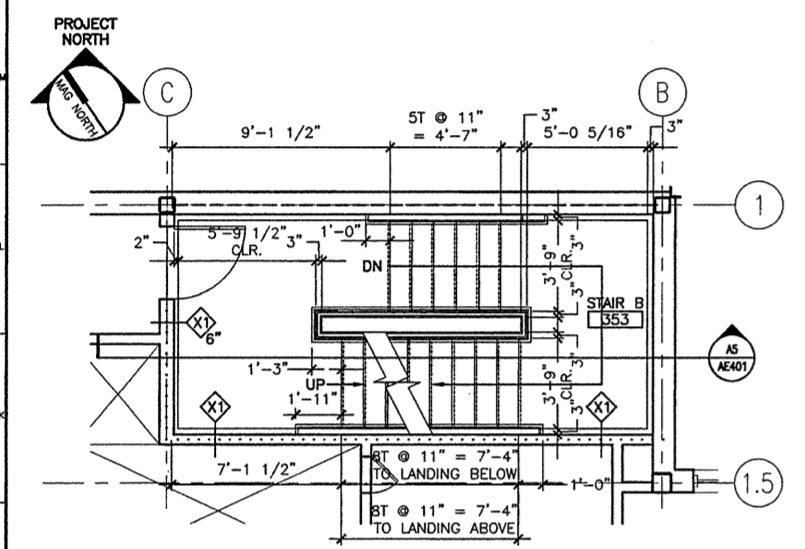


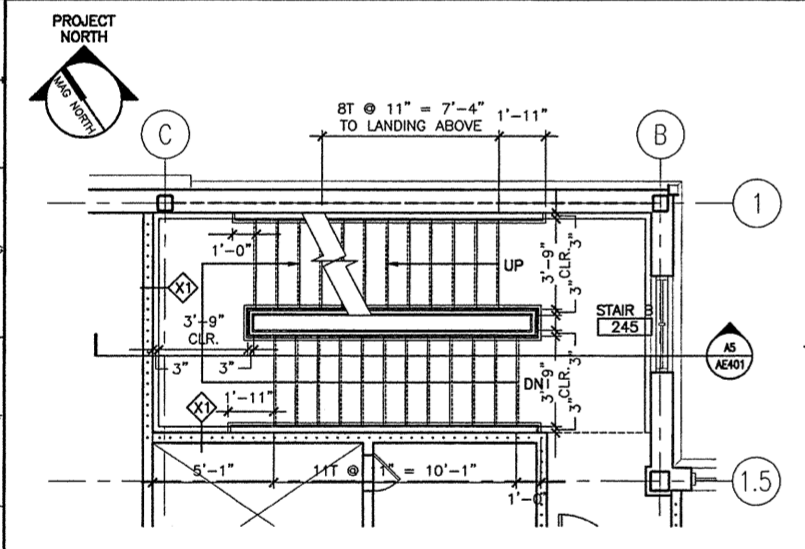
**N1 STAIR B – MEZZANINE FLOOR**

1/4" = 1'-0" AE104



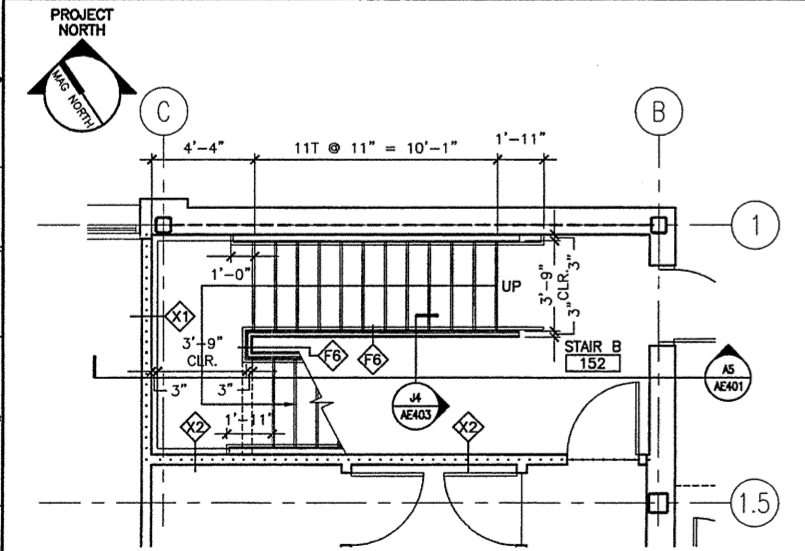
**J1 STAIR B – THIRD FLOOR**

1/4" = 1'-0" AE103



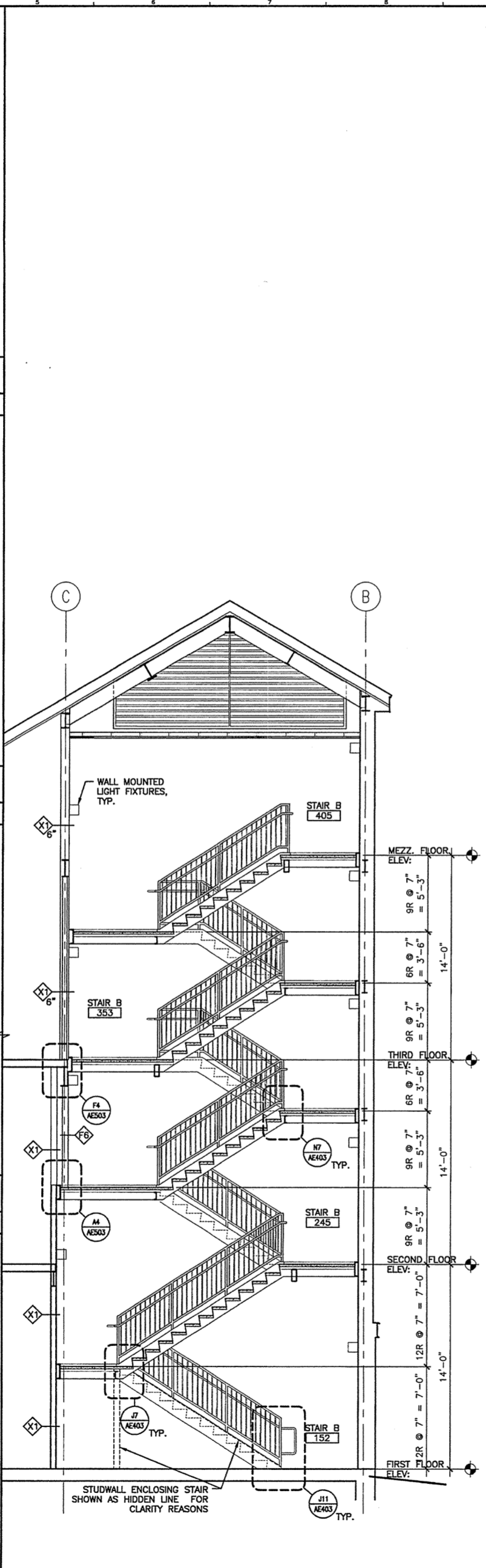
**E1 STAIR B – SECOND FLOOR**

1/4" = 1'-0" AE102



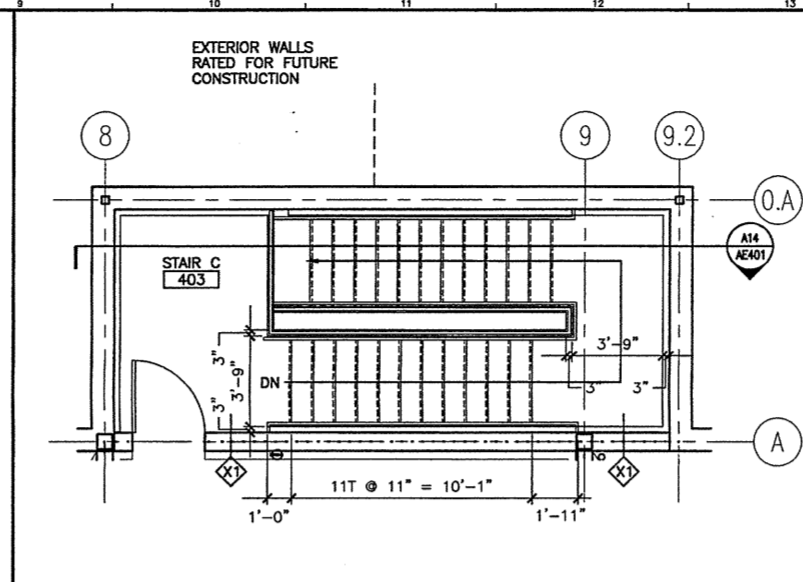
**A1 STAIR B – FIRST FLOOR**

1/4" = 1'-0" AE101



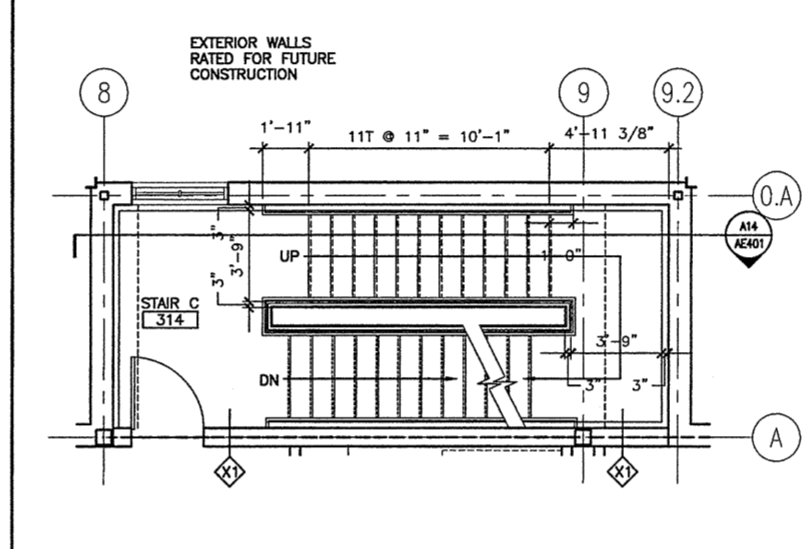
**A5 STAIR B SECTION**

1/4" = 1'-0"



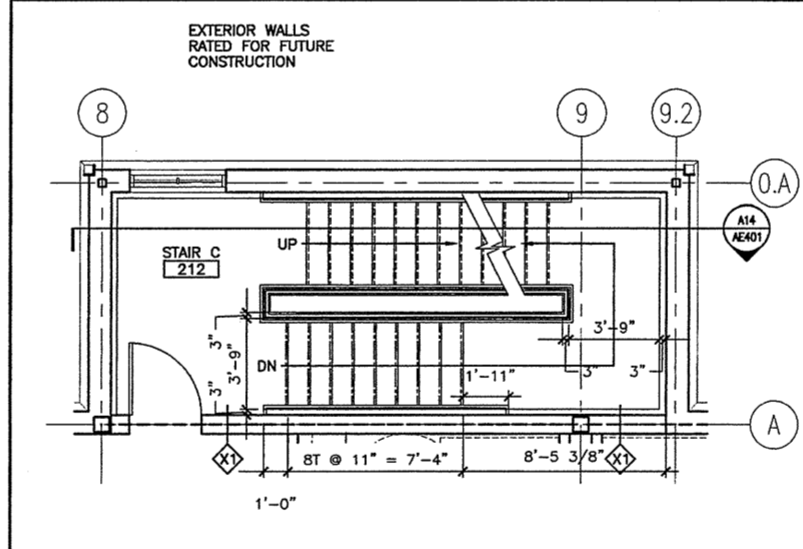
**N9 STAIR C – MEZZANINE FLOOR**

1/4" = 1'-0" AE104



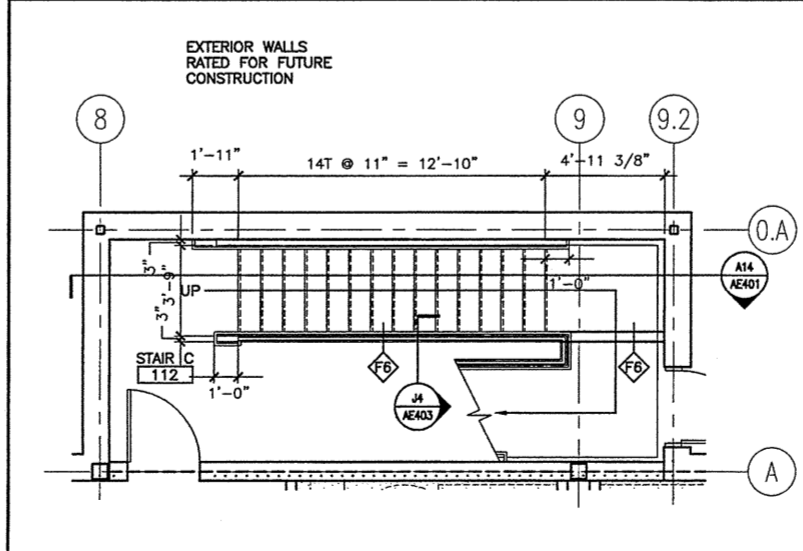
**J9 STAIR C – THIRD FLOOR**

1/4" = 1'-0" AE103



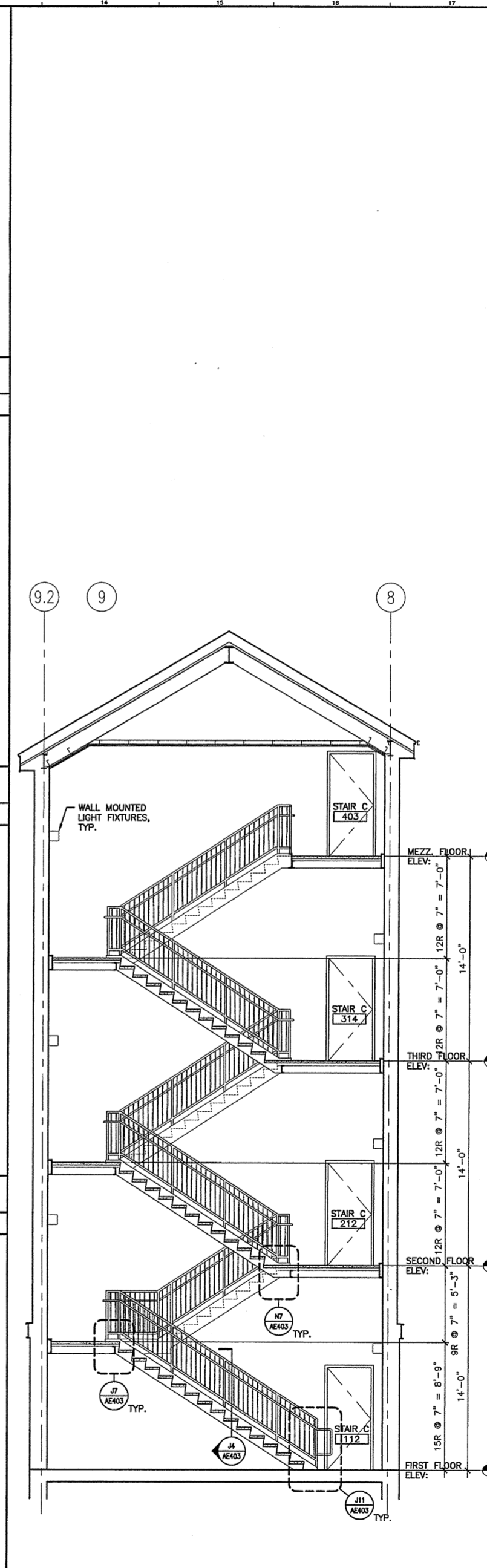
**E9 STAIR C – SECOND FLOOR**

1/4" = 1'-0" AE102



**A9 STAIR C – FIRST FLOOR**

1/4" = 1'-0" AE101



**A14 STAIR C SECTION**

1/4" = 1'-0"

**GENERAL NOTES:**

1. .

REV.	DESCRIPTION	DATE
0	ISSUED FOR CONSTRUCTION	10-23-03

**ISSUED FOR CONSTRUCTION**  
10-23-03



**SMRT**  
ARCHITECTURE ENGINEERING PLANNING  
144 Fore Street P.O. Box 618  
Portland, Maine 04104  
tel. (207) 772-3846  
fax. (207) 772-1070

**THE GULF OF MAINE RESEARCH INSTITUTE**  
PORTLAND, MAINE

PROJECT: **LARGE SCALE STAIR PLANS AND SECTIONS**

SHEET TITLE: **AE401**

SCALE: 1/8" = 1'-0" DATE: 10-23-03  
PROJECT MANAGER: DRL GRAPHIC SCALE: 0" = 1'  
JOB CAP/DRAWN: SDL  
A/E OF RECORD: PSS SHEET No.  
SMRT CAD FILE: AE401-03034  
PROJECT No. 03034