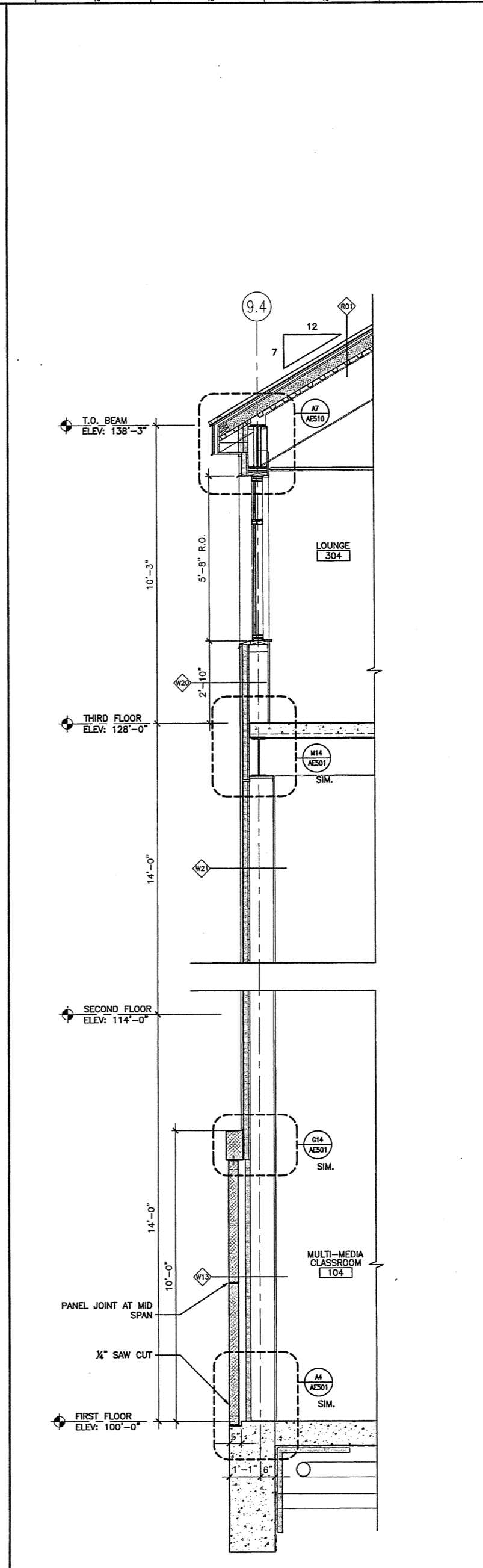
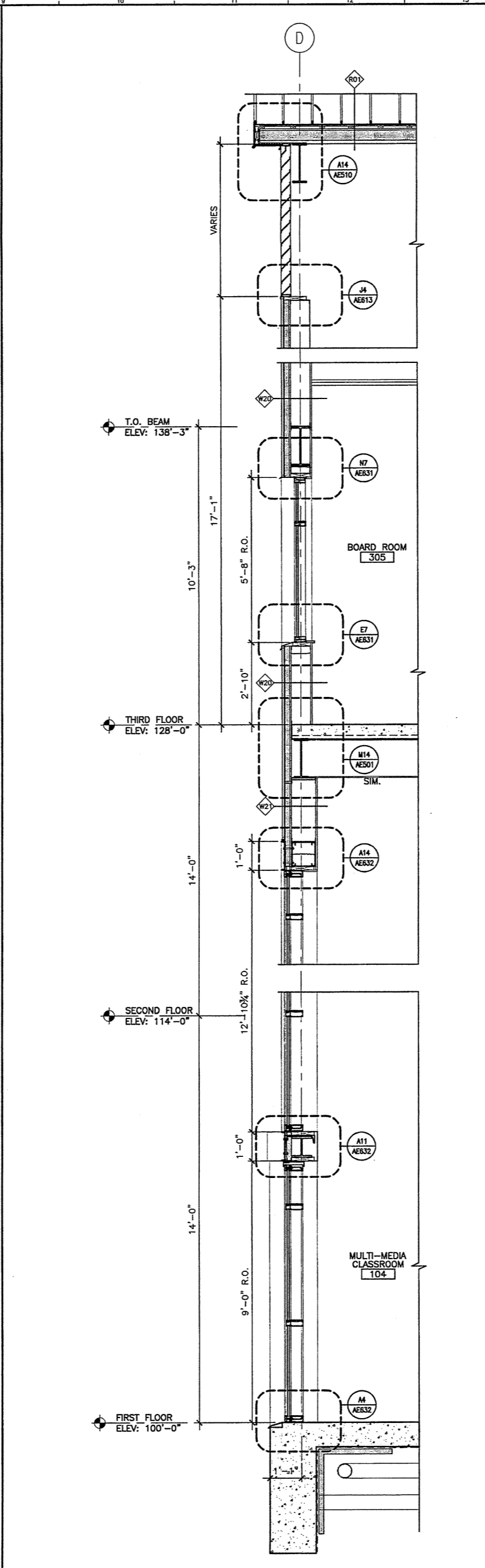
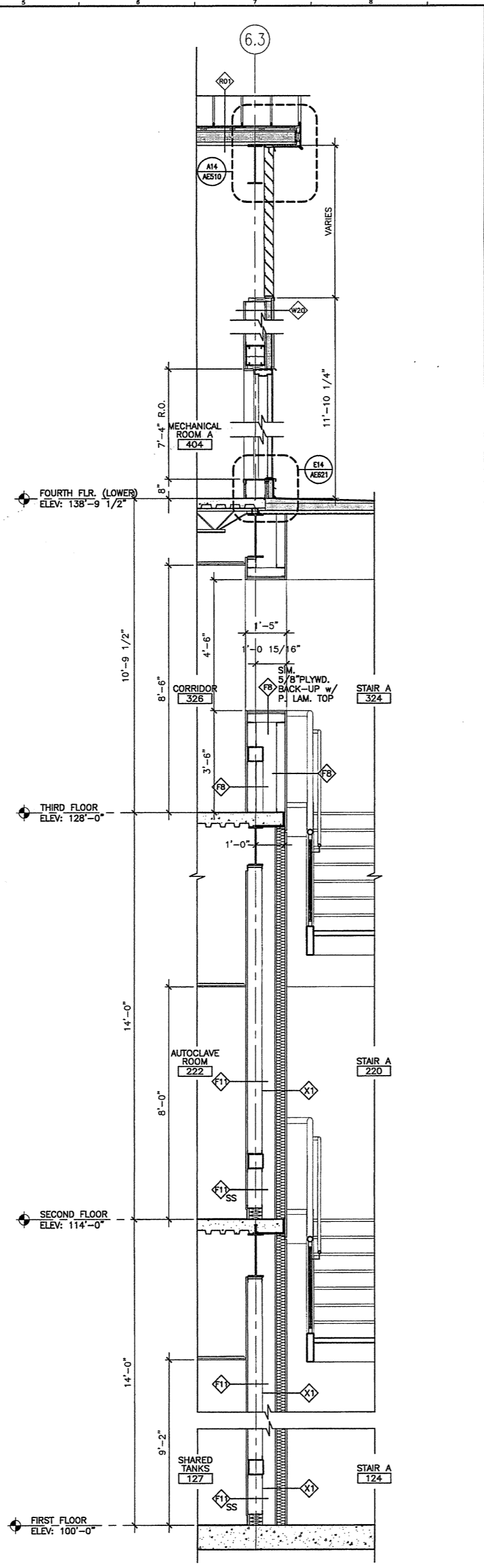


GENERAL NOTES:

1.

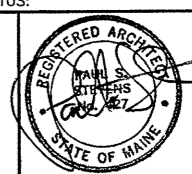


A1 WALL SECTION
1/2" = 1'-0"

A5 WALL SECTION
1/2" = 1'-0" AE101, AE102, AE103, AE104, AE201, AE301

A9 WALL SECTION
1/2" = 1'-0" AE101, AE102, AE103, AE104, AE201, AE301

A13 WALL SECTION
1/2" = 1'-0" AE101, AE102, AE103, AE104, AE201, AE301

0	ISSUED FOR CONSTRUCTION	10-23-03
REV.	DESCRIPTION	DATE
ISSUED FOR CONSTRUCTION		
10-23-03		
CURRENT ISSUE STATUS:		
		
SMRT ARCHITECTURE ENGINEERING PLANNING 144 Fore Street/P.O. Box 618 Portland, Maine 04104 tel. (207) 772-3846 fax. (207) 772-1070		
THE GULF OF MAINE RESEARCH INSTITUTE PORTLAND, MAINE		
WALL SECTIONS		
SHEET TITLE:		
SCALE: 1/2" = 1'-0"	DATE: 10-23-03	
PROJECT MANAGER: DRL	GRAPHIC SCALE: 0" = 1'	
JOB CAP/DRAWN: SDL/SDL		
A/E OF RECORD: RML	SHEET No.	
SMRT CAD FILE: AE315-03034		
PROJECT No. 03034		AE315