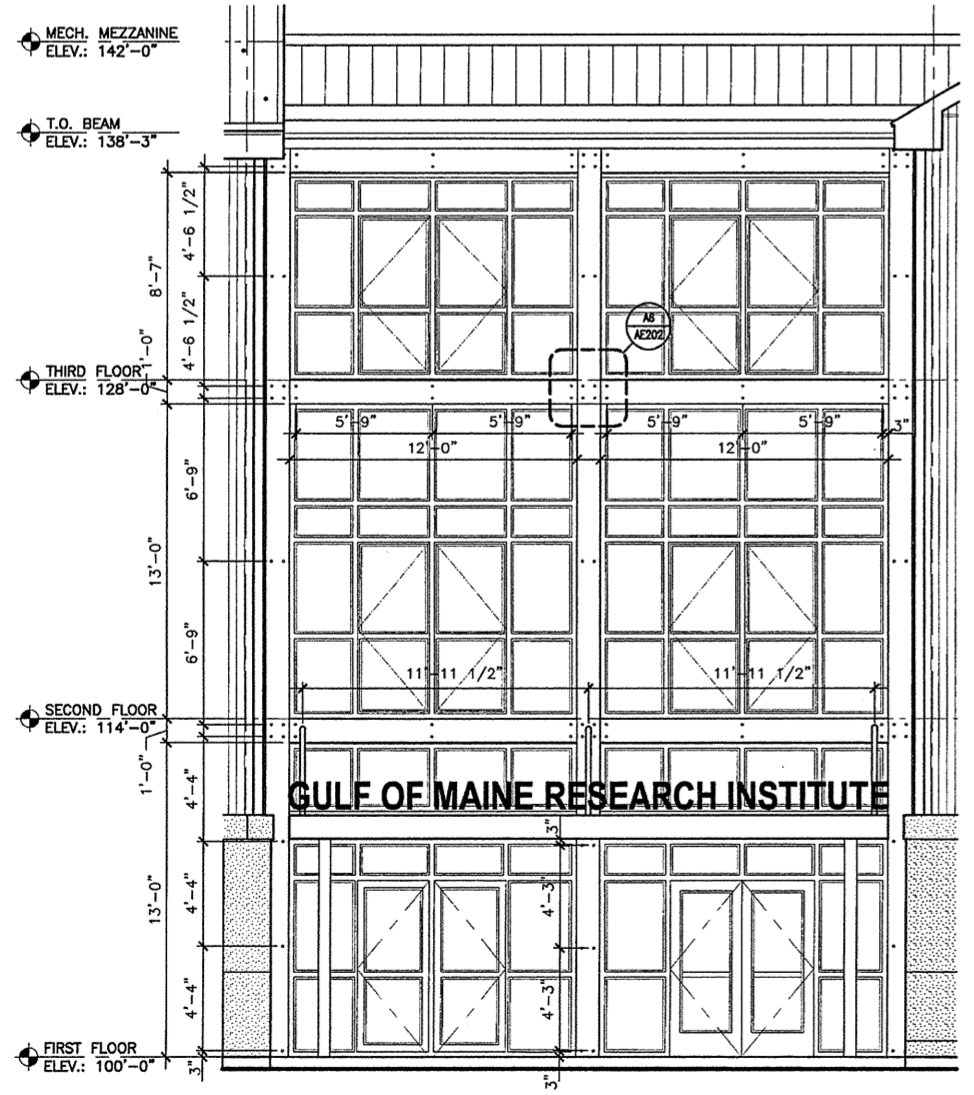


GENERAL NOTES:
 1. \odot INDICATED FRAME/WINDOW TYPES
 SEE DWG AE212 FOR WINDOW ELEVATIONS

- KEYED NOTES:**
- ① PAINTED STEEL TRIM
 - ② CORRUGATED METAL SIDING
 - ③ VENEER STONE MASONRY
 - ④ ALUMINUM CURTAINWALL ENTRANCE
 - ⑤ ALUMINUM WINDOW
 - ⑥ LOUVER
 - ⑦ METAL FASCIA
 - ⑧ GLAZING
 - ⑨ HOLLOW METAL DOOR AND FRAME
 - ⑩ NOT USED
 - ⑪ METAL ROOFING
 - ⑫ HOSE BIBB, SEE DETAIL F1/AE503 FOR METAL
 - ⑬ FIRE DEPARTMENT CONNECTION
 - ⑭ LIGHT FIXTURE
 - ⑮ MECHANICAL EQUIPMENT
 - ⑯ STONE LINTEL
 - ⑰ SNOW GUARDS
 - ⑱ PAINTED STEEL HANDRAIL
 - ⑲ METAL SIDING TRIM
 - ⑳ SCUPPER

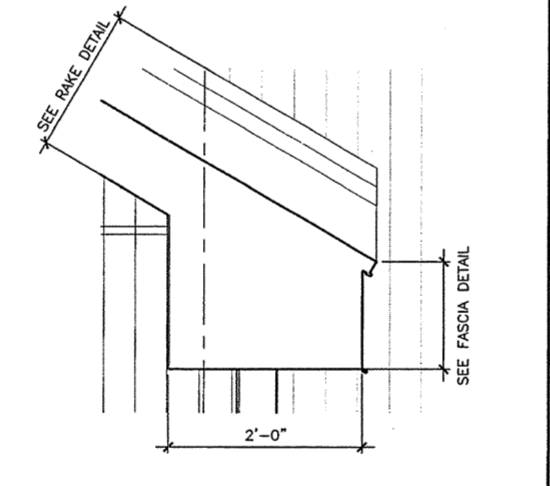
H1 EASTERN ELEVATION

1/8" = 1'-0" A-001



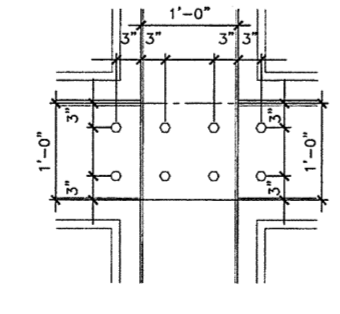
A1 ENLARGED ELEVATION

1/4" = 1'-0" AE201, AE202



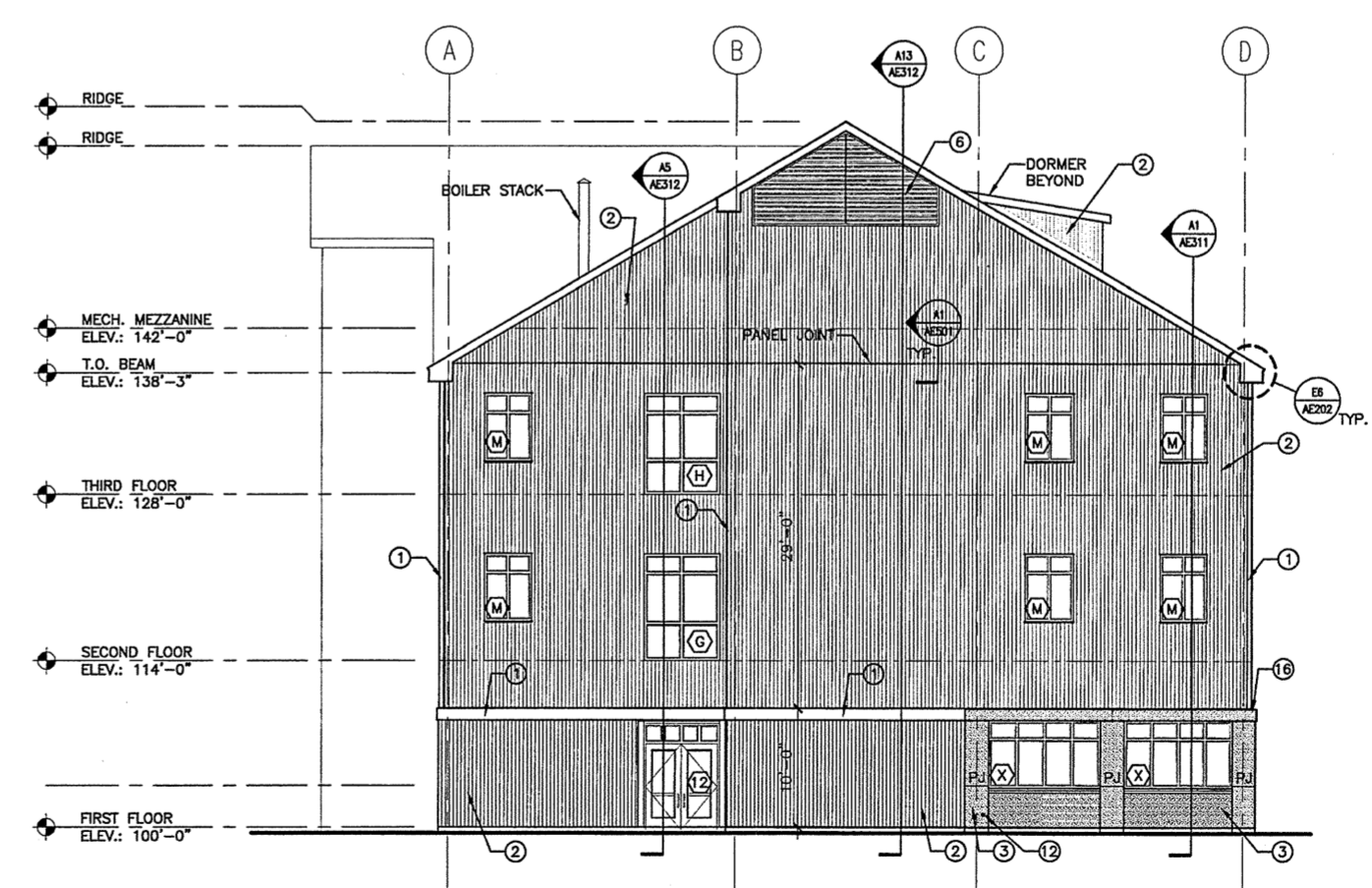
E6 FASCIA TO RAKE TRANSITION

1" = 1'-0"



A6 BOLT PATTERN ELEVATION

1" = 1'-0"

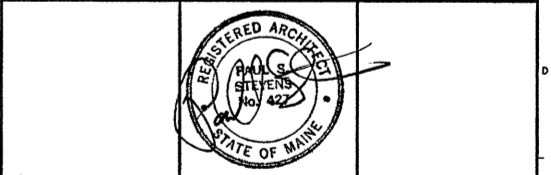


A9 NORTHERN ELEVATIONS

1/8" = 1'-0" A-001

REV.	ISSUED FOR CONSTRUCTION	10-23-03
0	DESCRIPTION	DATE

ISSUED FOR CONSTRUCTION
 10-23-03



SM RT
 ARCHITECTURE ENGINEERING PLANNING
 SMRT
 144 Fore Street, P.O. Box 618
 Portland, Maine 04104
 tel. (207) 772-3846
 fax. (207) 772-1070

THE GULF OF MAINE RESEARCH INSTITUTE
 PORTLAND, MAINE

PROJECT: EXTERIOR ELEVATIONS

SHEET TITLE: AE202

SCALE: 1/8" = 1'-0" DATE: 10-23-03
 PROJECT MANAGER: DRL GRAPHIC SCALE: 0" 1"
 JOB CAP/DRAWN: SDL
 A/E OF RECORD: PSS SHEET No.
 SMRT CAD FILE: AE202-03034
 PROJECT No. 03034