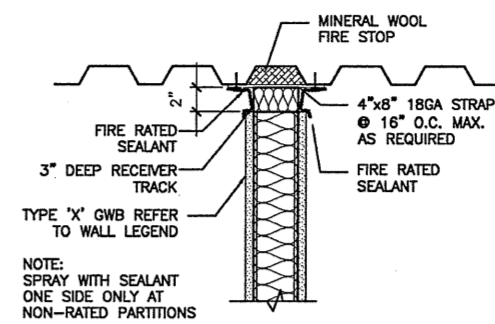
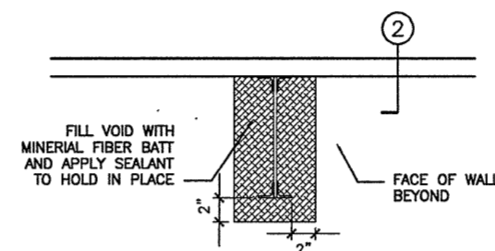


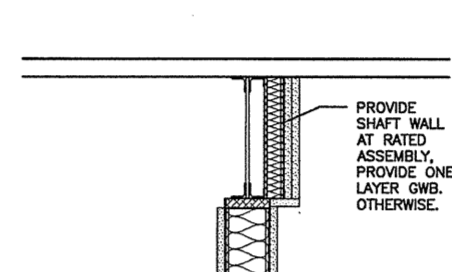
① GYPSUM WALL :
PERPENDICULAR TO DECK FLUTES



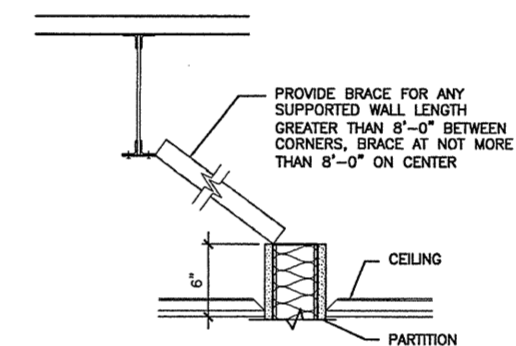
② GYPSUM WALL :
PARALLEL TO DECK FLUTES



③ GYPSUM WALL :
PARALLEL TO DECK FLUTES



④ GYPSUM WALL :
PERPENDICULAR TO DECK
FLUTES



⑤ GYPSUM WALL :
6" ABOVE CEILING

NOTE: PROVIDE RATED ASSEMBLY FOR FIRE WALLS, TYP.
(WH-495-PSV-1273 OR APPROVED EQUAL)

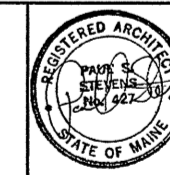
G9 TOP OF WALL DETAILS, TYP.

NOT TO SCALE

0	ISSUED FOR CONSTRUCTION	10-23-03
REV.	DESCRIPTION	DATE

ISSUED FOR CONSTRUCTION
10-23-03

CURRENT ISSUE STATUS:



SMRT ARCHITECTURE ENGINEERING PLANNING
SMRT
144 Fore Street P.O. Box 618
Portland, Maine 04104
Tel. (207) 773-3846
Fax. (207) 772-1070

**THE GULF OF MAINE
RESEARCH INSTITUTE**
PORTLAND, MAINE

PROJECT:
**TOP OF WALL
DETAILS**

SHEET TITLE:
SCALE: NOT TO SCALE DATE: 10-23-03
PROJECT MANAGER: DRL GRAPHIC SCALE: 0" = 1"
JOB CAP/DRAWN: SDL
A/E OF RECORD: PSS SHEET No.
SMRT CAD FILE: G1004-03034 SHEET No. **G1004**
PROJECT No. 03034

A1