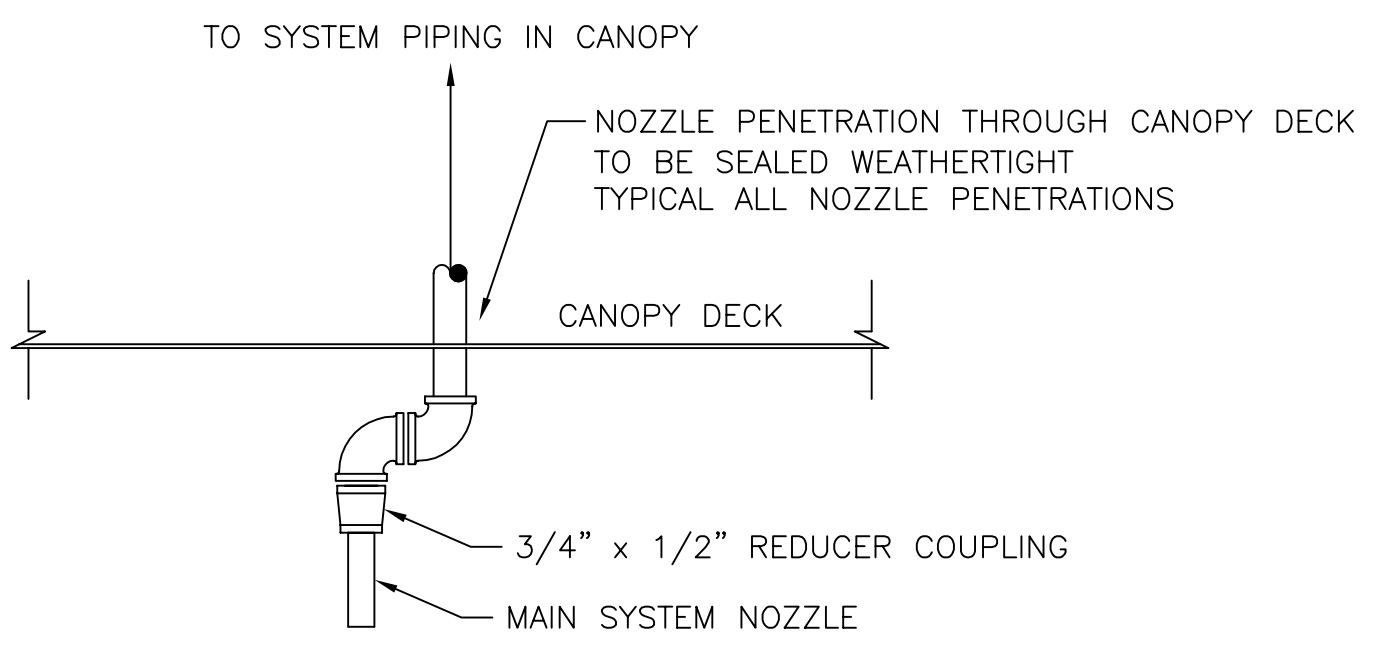
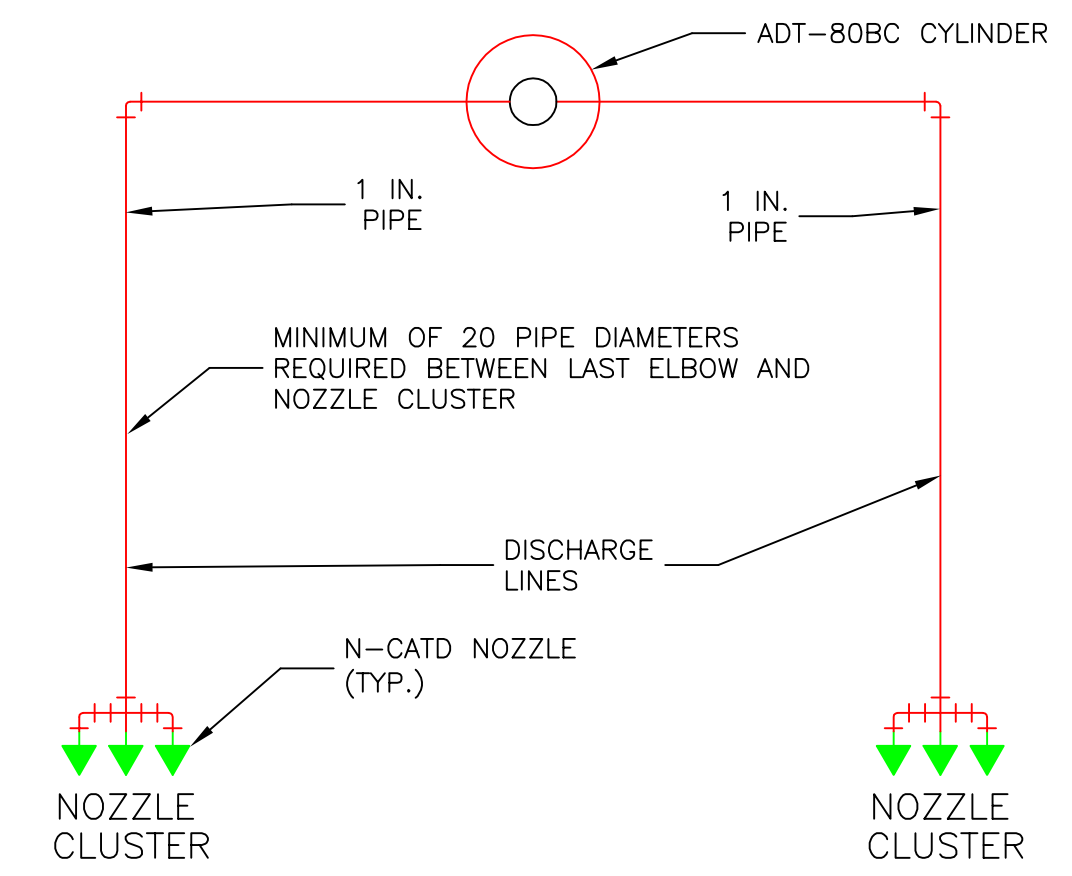


SYSTEM EQUIPMENT LAYOUT - PLAN VIEW
SCALE: 1/8 INCH = 1 FOOT

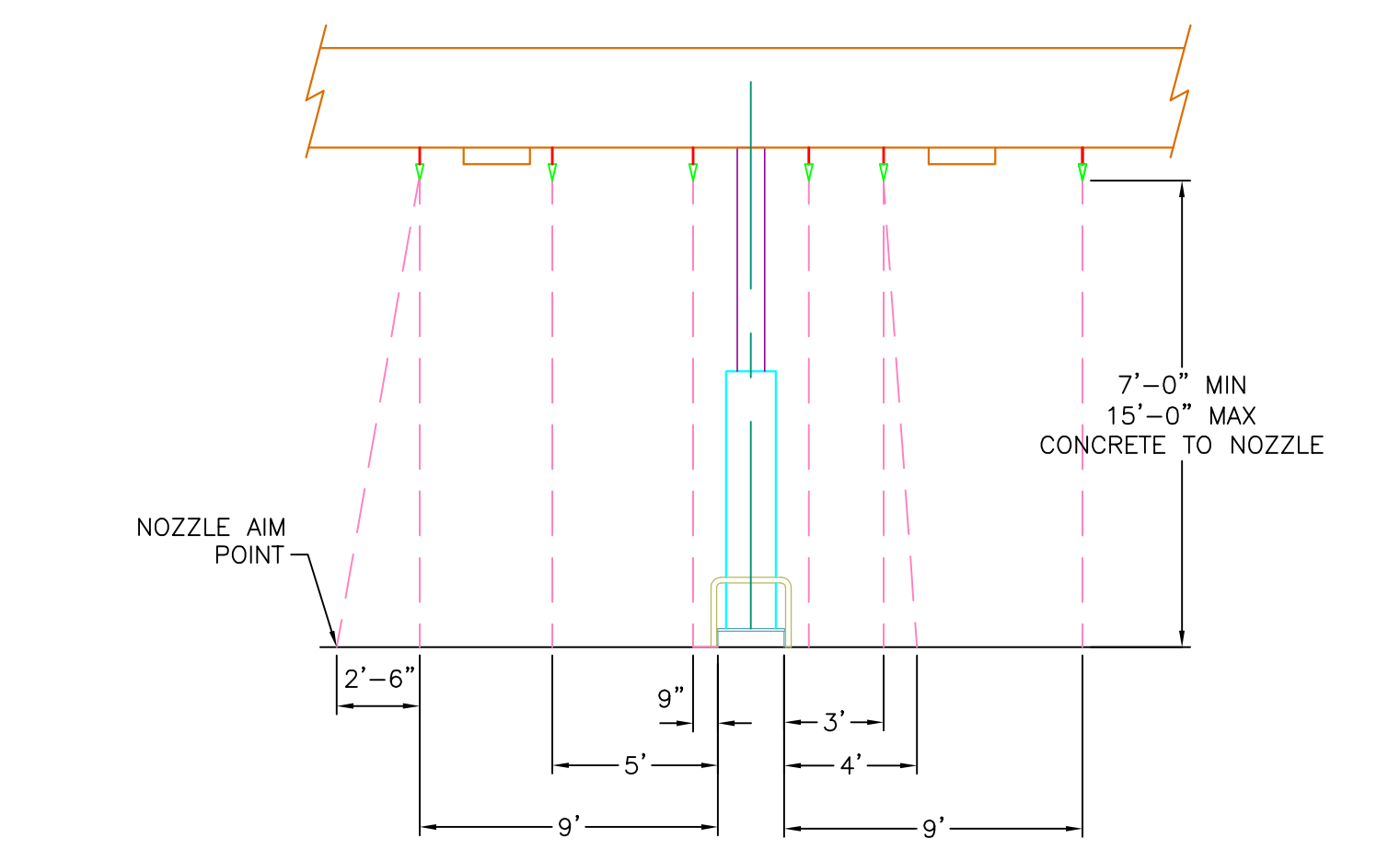
PYRO-CHEM BILL OF MATERIALS		
QTY	PART NO.	DESCRIPTION
24	551143	80 Lb. BC. Cyl. (ADT-80-SBC)
48	550061	T-3W Three-Way Tee
24	551146	Cyl. Bracket - MB ATD-S
2	551166	RPS-E2 Remote Pull Station, Electrical
144	551509	ADT II Nozzle w/Cap
8	13976	Elec. Heat Detector - 225°
2	551206	NECH-24V Electric Control Head
2	550690	PAC-200 Pneumatic Actuation Cyl.
26	550829	Pneumatic Discharge Adaptor PDA-D2
1	430525	AUTOPULSE Z-10 Control System, Red, 120/240 VAC
2	430687	Coil Supervision Module (Release Circuit)
1	417692	Battery Pack, 7 AH, 24 VDC (2-12 VDC Batteries)
1	430529	4-PT Auxiliary Relay Module



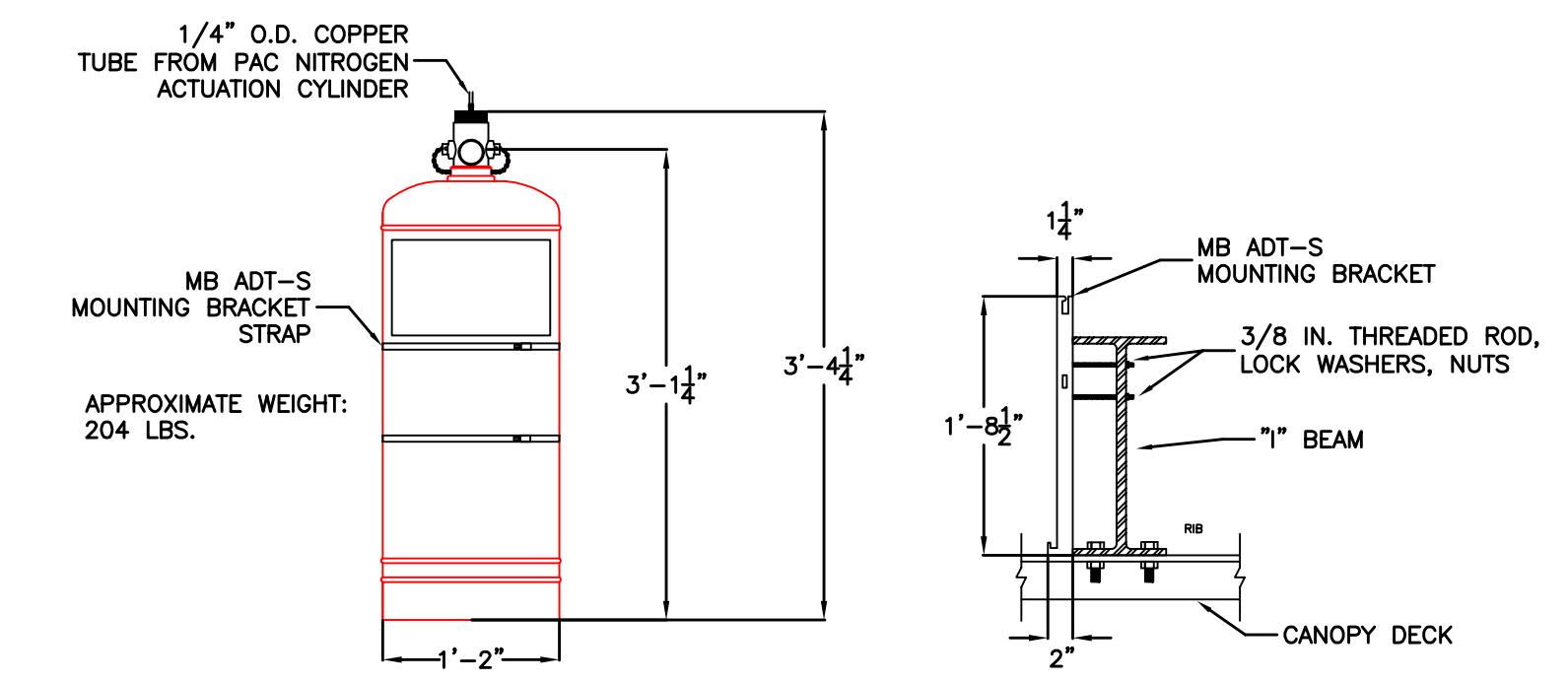
NOZZLE INSTALLATION DETAIL
SCALE: NOT TO SCALE



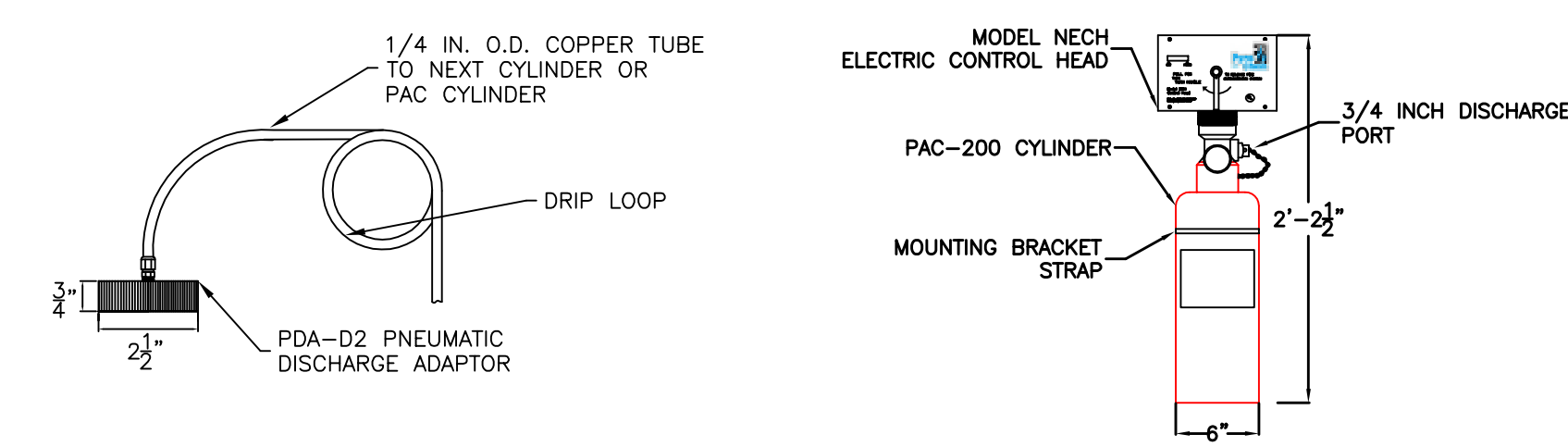
SYSTEM PIPING DETAIL
SCALE: NOT TO SCALE



END VIEW - MAIN & END-OF-ISLAND PROTECTION
SCALE: NOT TO SCALE



ADT-80BC CYLINDER, AND BRACKET DETAIL
SCALE: NOT TO SCALE



PNEUMATIC TUBING DETAIL
SCALE: NOT TO SCALE

PAC 200 DETAIL
SCALE: NOT TO SCALE

SITE SPECIFIC SYSTEM COMPONENT TABLE			
NUMBER OF SYSTEMS REQ'D	NUMBER OF NOZZLES REQ'D	NUMBER OF CYLS. REQ'D	CYLINDER SIZE & QTY.
1) ATD 80 SYSTEM	144 PER SYSTEM TOTAL: 144	24 PER SYSTEM TOTAL: 24	ATD-35BC= 00 ATD-80BC= 24 TOTAL: 24 ATD-80BC
NUMBER OF HEAT DETECTORS REQ'D	8 @ 225° 1 PER ISLAND	TOTAL HEAT DETECTORS REQ'D	8 @ 225°
INCLUDES MAIN AND END OF ISLAND PROTECTION			

GENERAL INFORMATION

1. THE AREA OF PROTECTION SHALL INCLUDE THE AREA WITHIN THE ARC SCRIBED BY THE NOZZLE END OF THE HOSE ON EACH VEHICLE FUEL DISPENSER
2. SYSTEM ACTIVATION SHALL CAUSE ALL VEHICLE FUEL DISPENSERS TO SHUT DOWN SIMULTANEOUSLY.
3. THERMAL DETECTORS SHALL BE INSTALLED ON FIFTEEN (15) FOOT CENTERS ALONG A SINGLE LINE SYMMETRICALLY OVER THE CENTER OF THE PUMP ISLAND THAT IS BEING PROTECTED.
4. A MANUAL RELEASE STATION SHALL BE INSTALLED IN A CONSPICUOUS AND ACCESSIBLE LOCATION AWAY FROM THE VEHICLE FUEL DISPENSERS AND PROTECTED AREA.

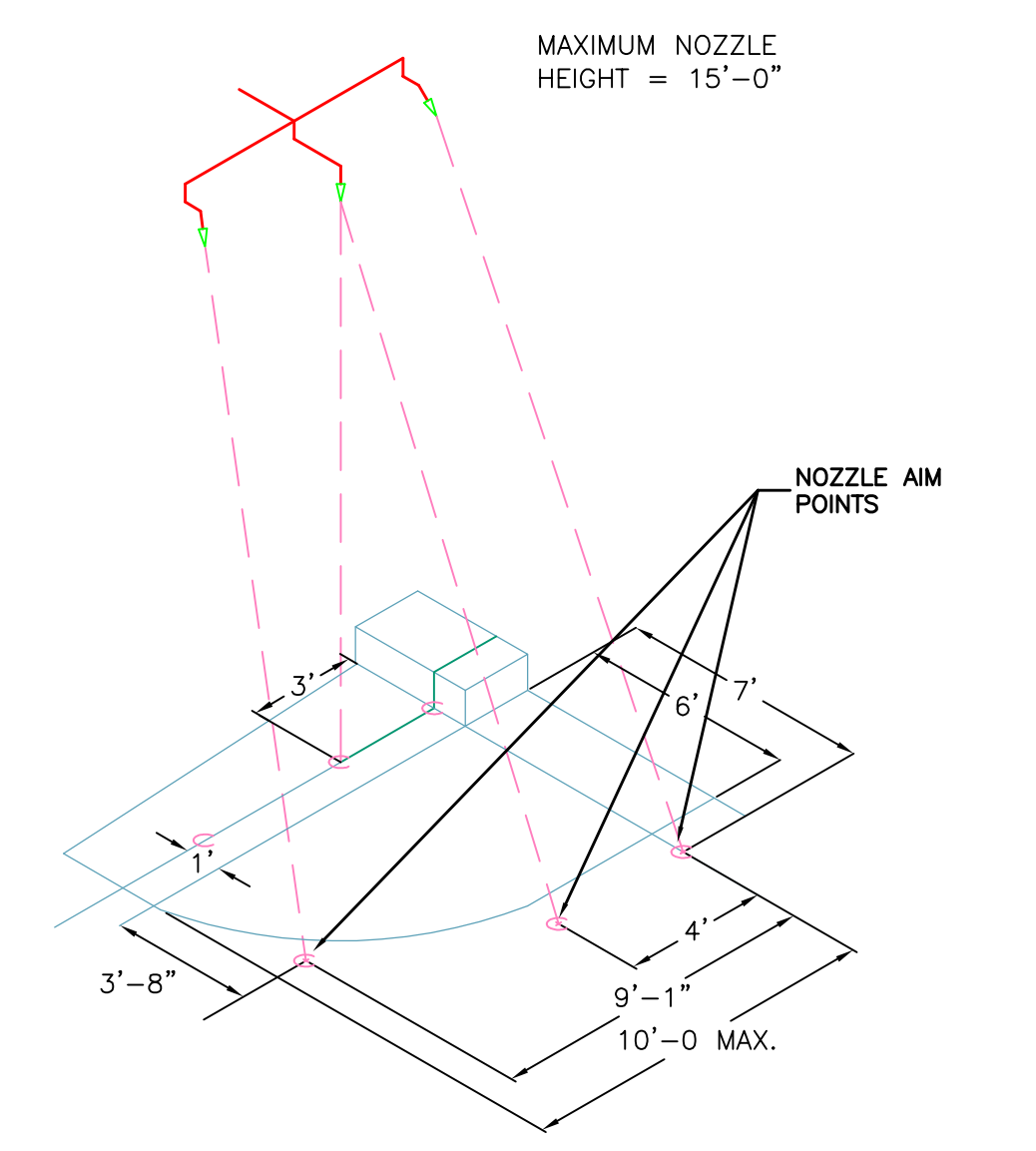
ACTUATION LINE NOTES

1. ALL AGENT SUPPLY CYLINDERS SHALL BE PNEUMATICALLY OPERATED BY A SUPPLY OF NITROGEN CONTAINED IN A PNEUMATIC ACTUATING CYLINDERS (PAC). THE PAC CYLINDERS SHALL BE ACTIVATED BY A NECH24 ELECTRIC CONTROL HEADS CONTROLLED BY AN AUTOPULSE Z-10 FIRE SYSTEM CONTROL PANEL. THE PAC CYLINDERS SHALL BE CONNECTED TO A NETWORK OF PNEUMATIC TUBING GOING FROM IT TO PNEUMATIC ACTUATION DEVICES (PAD) INSTALLED ON EACH AGENT SUPPLY CYLINDER.
2. PNEUMATIC TUBING USED FOR REMOTE CYLINDER ACTUATION SHALL HAVE AN OUTSIDE DIAMETER OF 1/4 INCH WITH A MINIMUM WALL THICKNESS OF 1/32". THIS IS COMMONLY KNOWN AS REFRIDGERATION-TYPE COPPER TUBING.
3. ALL TUBING FITTINGS SHALL BE OF THE 1/4 INCH, 45 DEGREE FLARE-TYPE CONFORMING TO SAE J513C.
4. COMPRESSION TYPE FITTINGS ARE UNACCEPTABLE.

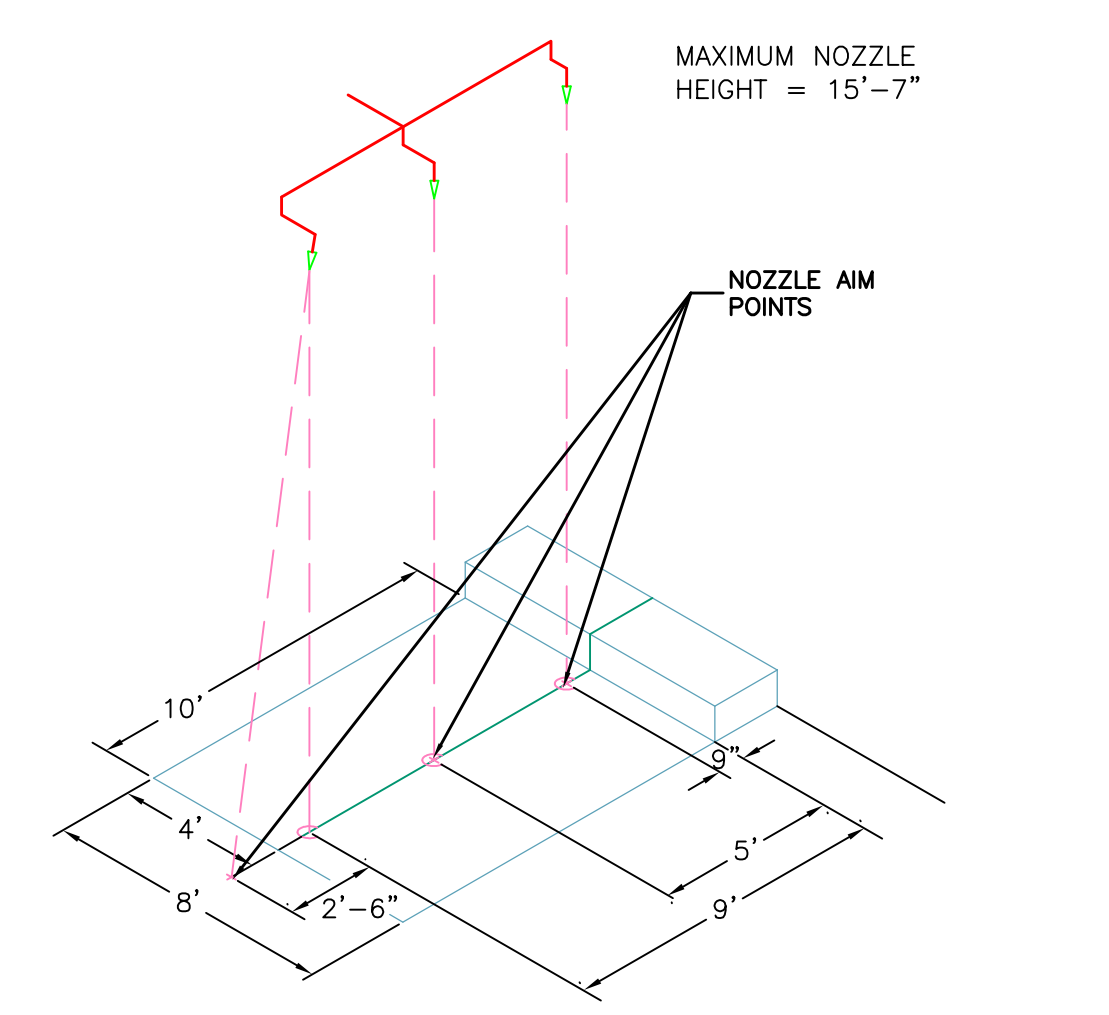
SYSTEM PIPING NOTES

1. THE ADT-80BC MUST ALWAYS USE TWO (2) NOZZLE CLUSTERS (6 NOZZLES).
2. THE MAXIMUM VERTICAL RISE OF SYSTEM PIPING ABOVE THE OUTLET CYLINDER IS 7 FEET.
3. THE NUMBER OF ELBOWS MUST BE EQUAL ON BOTH DISCHARGE LINES.
4. THE LENGTH OF THE SHORTEST SIDE OF THE PIPING CANNOT EXCEED 2/3 THE LENGTH OF THE LONGEST SIDE. THE LONGEST SIDE OF PIPE CANNOT EXCEED 18 FEET.

ATD-80BC PIPE LIMITATIONS				
SECTION	MAXIMUM LENGTH	MAXIMUM ELBOWS	TEES ALLOWED	PIPE DIAMETER
CYLINDER TO NOZZLE CLUSTER (EACH SIDE)	18'	5	0	1"



END-OF-ISLAND NOZZLE AIM POINTS
SCALE: NOT TO SCALE



MAIN ISLAND NOZZLE AIM POINTS
SCALE: NOT TO SCALE

MAXIMUM NOZZLE HEIGHT:
MAIN ISLAND NOZZLES: 15'-7" FROM CONCRETE PAD TO TIP OF NOZZLE
END OF ISLAND NOZZLES: 15' FROM CONCRETE PAD TO TIP OF NOZZLE
○ = RELATIVE NOZZLE LOCATION
+ = NOZZLE AIM POINT
DRY CHEMICAL CYLINDERS TO BE MOUNTED ON TOP OF CANOPY DECK TO STRUCTURAL MEMBERS (CYLINDERS ARE NOT TO BE SUPPORTED BY CANOPY DECKING).



NOTES:
THE INFORMATION AND GRAPHIC DEPICTIONS ON THIS SHEET ARE DERIVED FROM INFORMATION OBTAINED IN A PUBLICATION TITLED "THE ATTENDANT II GASOLINE STATION FIRE SUPPRESSION SYSTEM - MODEL ATD-35/80sBC TECHNICAL MANUAL" PYRO-CHEM PART NUMBER: PN551227(1) REVISED MAY 28, 2004
IF ADDITIONAL TECHNICAL ASSISTANCE IS NEEDED CONTACT PYRO-CHEM, INC. 1 STANTON STREET, MARINETTE, WI 54143-2542 USA. TELEPHONE NUMBER: 1-715-732-3465 TECHNICAL ASSISTANCE.

System Information:
PYRO-CHEM ATTENDANT II UL 1254
DRY CHEMICAL FIRE SUPPRESSION
SYSTEM PROTECTING A SELF-SERVICE
GASOLINE FUELING FACILITY

Owner/Site:
IRVING OIL CORPORATION
IRVING
393 COMMERCIAL STREET
PORTLAND, ME 04101

Interstate FIRE PROTECTION
P.O. BOX 1005
NORTH CONWAY, NH 03860
P.O. BOX 187
GARDINER, ME 04345

PYRO-CHEM GAS ISLAND FIRE SUPPRESSION SYSTEM MECHANICAL DETAIL

Proj. no.:	Revisions:	Date:	SHEET : 02
CAD File: IrvingComSIPort.dwg	ii	05/01/2016	
Drawn By: M. STEWARD			
Created on: 05/01/2016			
Designed by: M. STEWARD			
Checked by: B. TWOMBLY			
Approved by: B. TWOMBLY			
Project Lead: T. MOONEY			
Scale: AS NOTED			