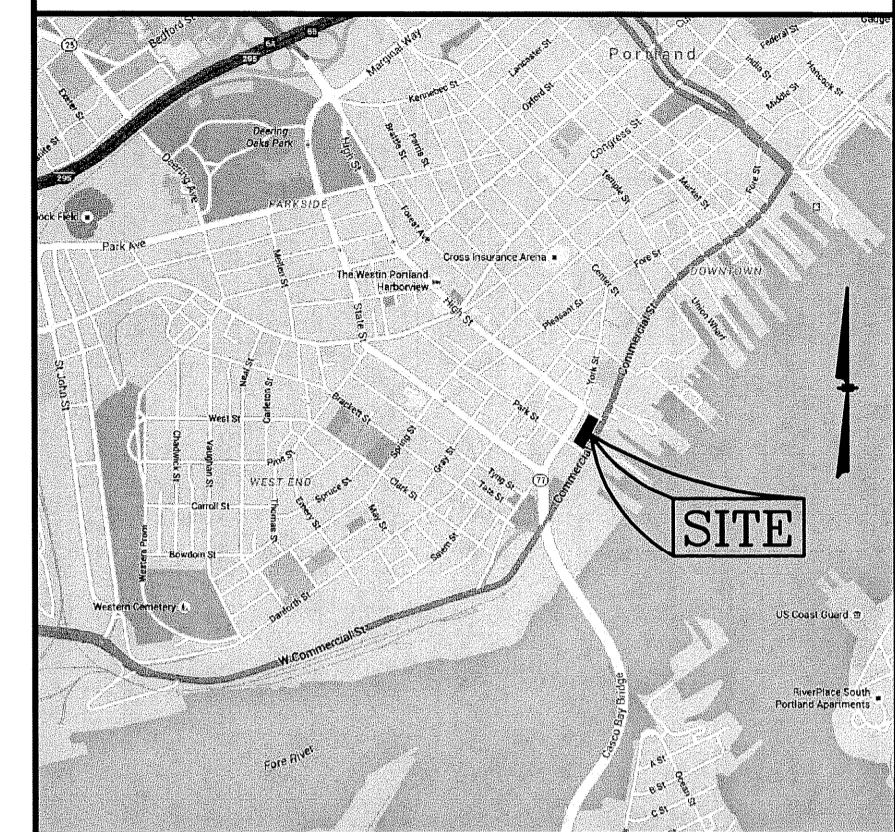


SUPERSEDES ALL PREVIOUS ISSUES
 APPROVED FOR CONSTRUCTION
 PRELIMINARY—NOT FOR CONSTRUCTION
 ISSUED TO: _____
 DATE _____



LOCATION MAP
NOT TO SCALE

REV	DATE	BY	REVISION

REVISIONS

MHF Design Consultants, Inc.
 44 Siles Road, Suite One
 Salem, New Hampshire 03079
 (603) 893-0720
 ENGINEERS • PLANNERS • SURVEYORS
 www.mhfdesign.com

STATE OF MAINE
 FRANK C. MONTEIRO
 7201
 LICENSED PROFESSIONAL ENGINEER

DSA FCM
 SCALE: 1"=10'
 DATE: 1/26/16
 CAD FILE: 38801P.DWG
 PLOTTED: REF-BLK: REF-BLK: REF-BLK:

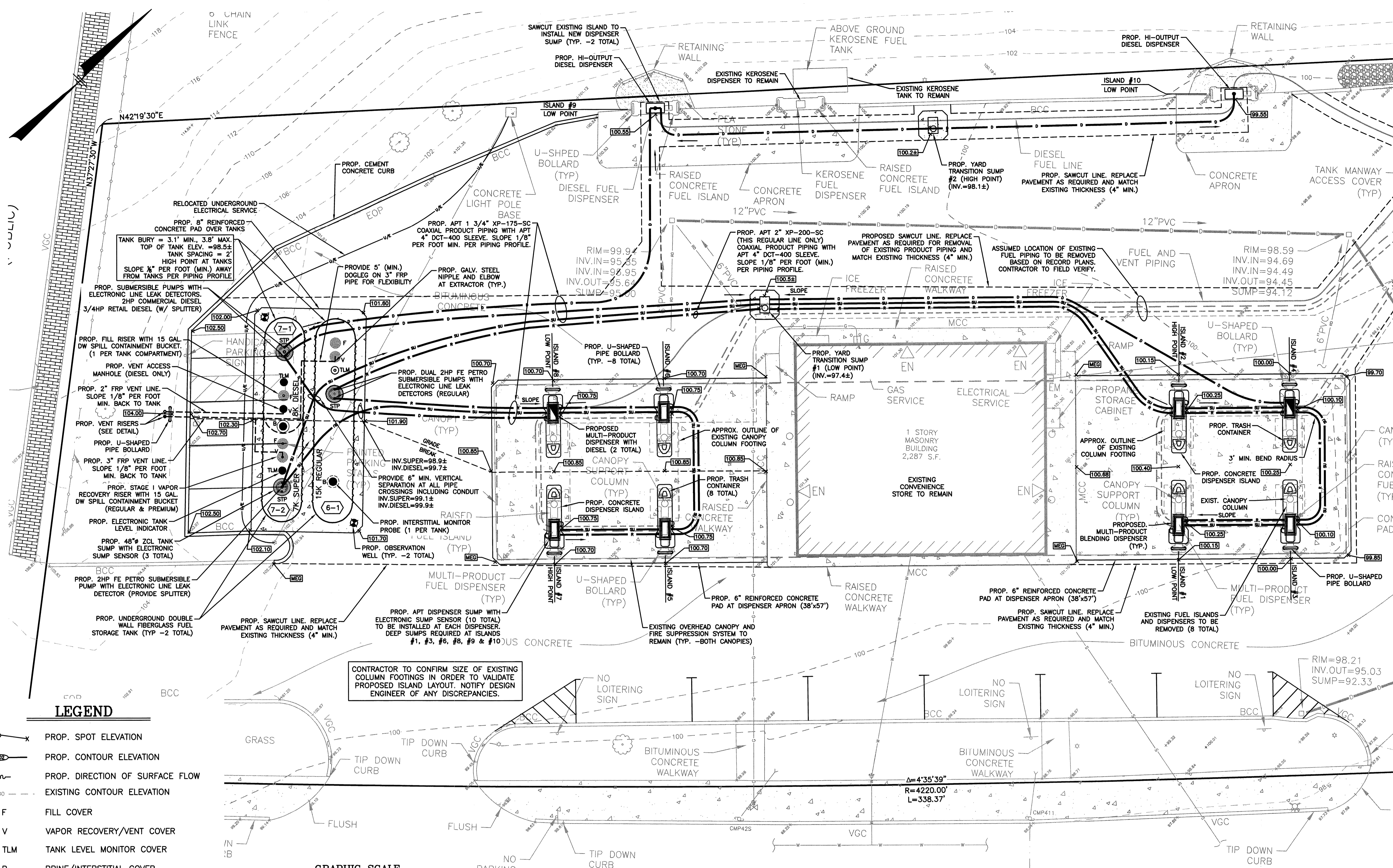
IRVING OIL
 190 COMMERCE WAY
 PORTSMOUTH, NH 03801

PROJECT: 393 COMMERCIAL STREET
 PORTLAND, MAINE

SHEET TITLE: **TANK & PIPING PLAN**

PROJECT: UST2
 DRAWING NO: UST2
 REVISION: -

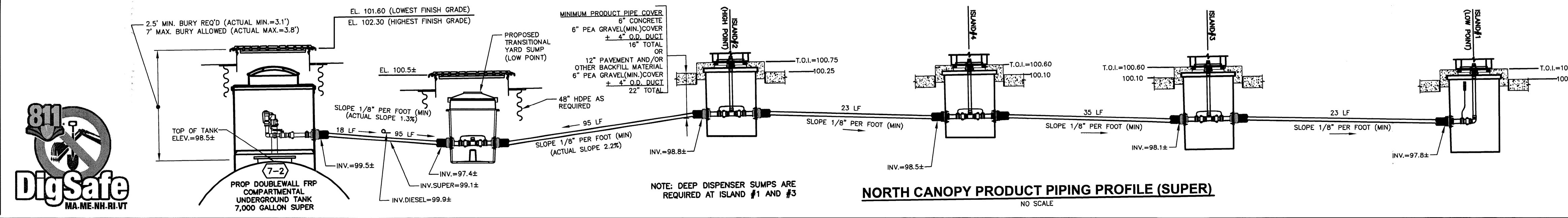
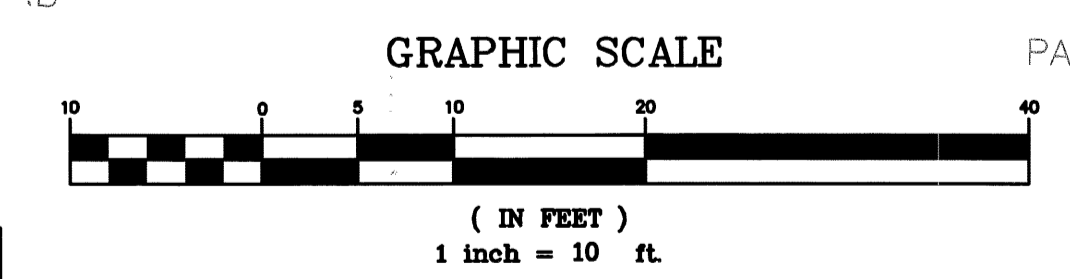
COMPANY SUPERVISOR AND CONTRACTOR TO VERIFY ALL MEASUREMENTS ON WORK OR AT SITE. THIS DRAWING IS THE PROPERTY OF IRVING OIL LTD. AND SHALL BE RETURNED ON COMPLETION OF WORK.



- LEGEND**
- 99.50 PROP. SPOT ELEVATION
 - 102 PROP. CONTOUR ELEVATION
 - PROP. DIRECTION OF SURFACE FLOW
 - 100 EXISTING CONTOUR ELEVATION
 - F FILL COVER
 - V VAPOR RECOVERY/VENT COVER
 - TLM TANK LEVEL MONITOR COVER
 - B BRINE/INTERSTITIAL COVER
 - STP SUBMERSIBLE TANK PUMP

TANK LEGEND:

4-1 12K REGULAR	EXISTING 12,000 GAL DOUBLE WALL JACKETED STEEL UNDERGROUND STORAGE TANK TO BE ABANDONED IN PLACE. INSTALLED 11/1/1997.
5-1 8K SUPER	EXISTING 8,000 GAL DOUBLE WALL JACKETED STEEL UNDERGROUND STORAGE TANK TO BE ABANDONED IN PLACE. INSTALLED 11/1/1997.
5-2 4K DIESEL	EXISTING 4,000 GAL DOUBLE WALL JACKETED STEEL UNDERGROUND STORAGE TANK TO BE ABANDONED IN PLACE. INSTALLED 11/1/1997.
6-1 15K REGULAR	PROPOSED 15,000 GAL ZCL DOUBLE WALL FRP UNDERGROUND STORAGE TANK
7-1 7K SUPER	PROPOSED 15,000 GAL COMPARTMENTALIZED ZCL DOUBLE WALL FIBERGLASS UNDERGROUND STORAGE TANK BASE=BK DIESEL (7-1) AND END=TK SUPER (7-2)



F:\Projects\CAD\38801P.dwg TP 1/26/16 4:15pm DSA
 Copyright © 2016 by MHF Design Consultants, Inc. All Rights Reserved.