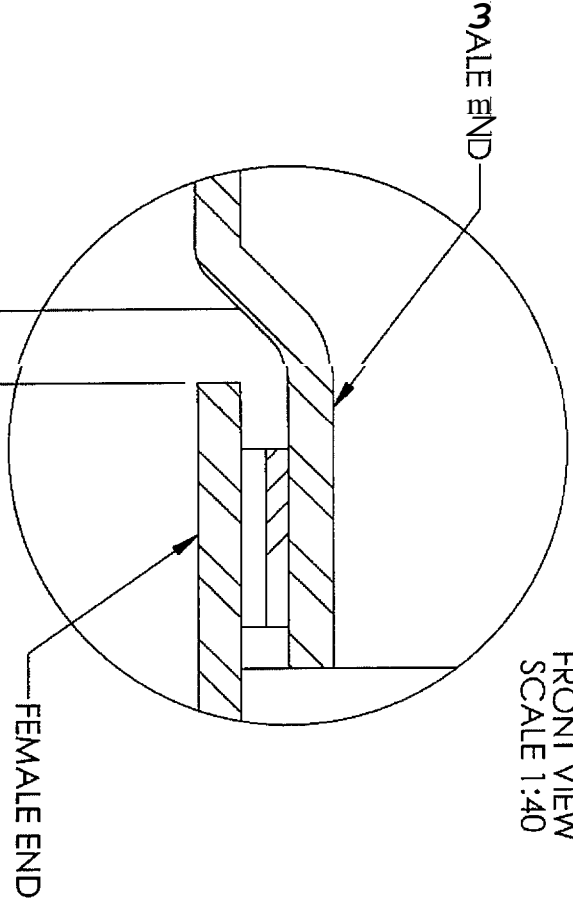
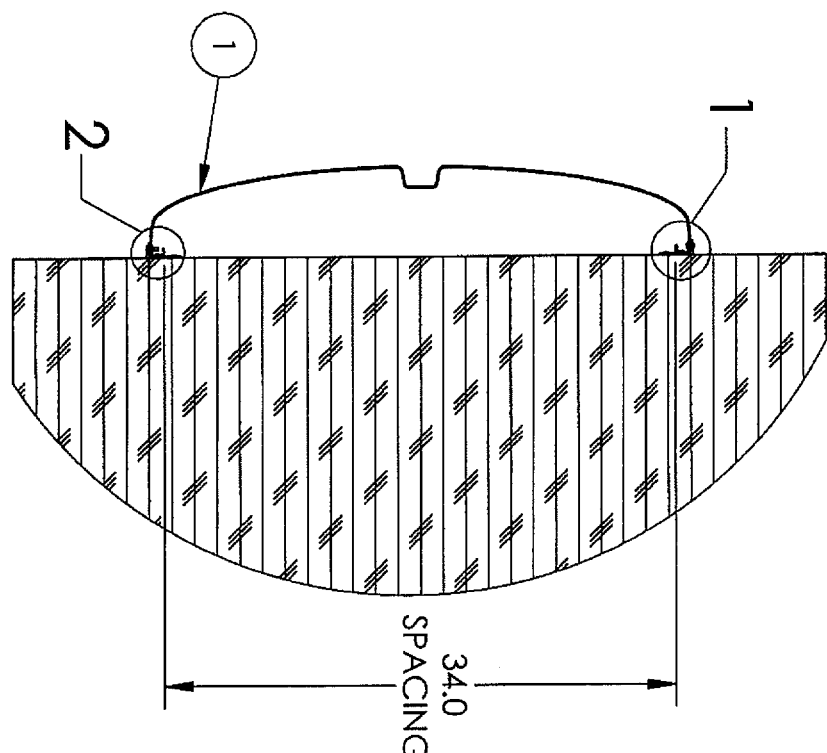


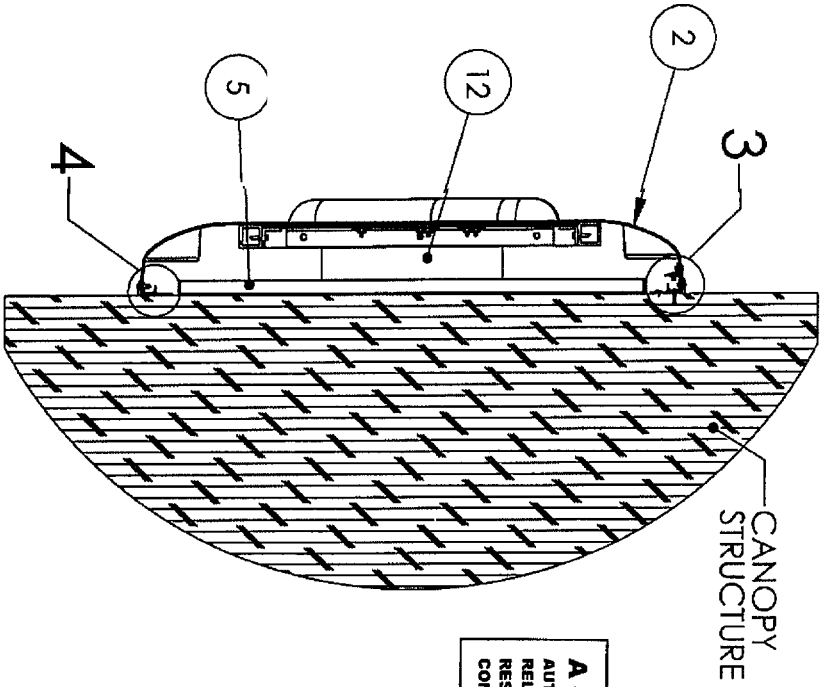
FRONT VIEW
SCALE 1:40



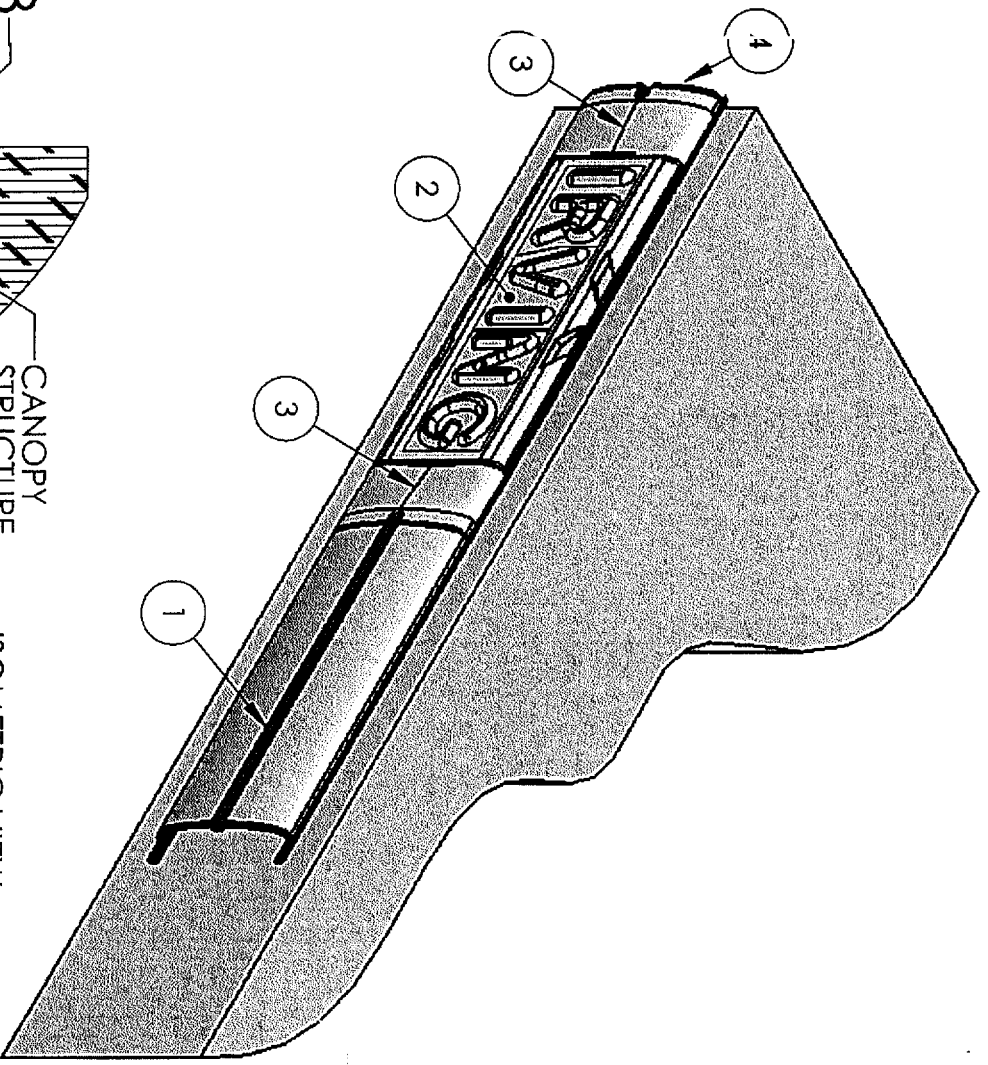
SECTION C-C
JOINT GAP



SECTION A-A
SCALE 1:12



SECTION B-B
SCALE 1:12



ISOMETRIC VIEW
SCALE 1:40

A - PROCEED
 AUTHORIZATION TO PROCEED DOES NOT
 RELIEVE CONTRACTOR VENDOR OF ITS
 RESPONSIBILITY OR LIABILITY UNDER THE
 CONTRACT/PURCHASE ORDER.
 5 Sept 05
[Signature]

ITEM NO.	PART NUMBER
1	IRV-MFSTR
2	IRV-FFICN
3	IRV-MMTRN
4	IRV-MFCNR
5	LIGHT BOX
6	IRV-2
7	IRV 7 Assem
8	IRV-1
9	SELF-TAPPING FASTNER
10	POP RIVET 0.1875X0.5
11	NO8X32 MACHINE SCREW
12	SPACER BLOCK

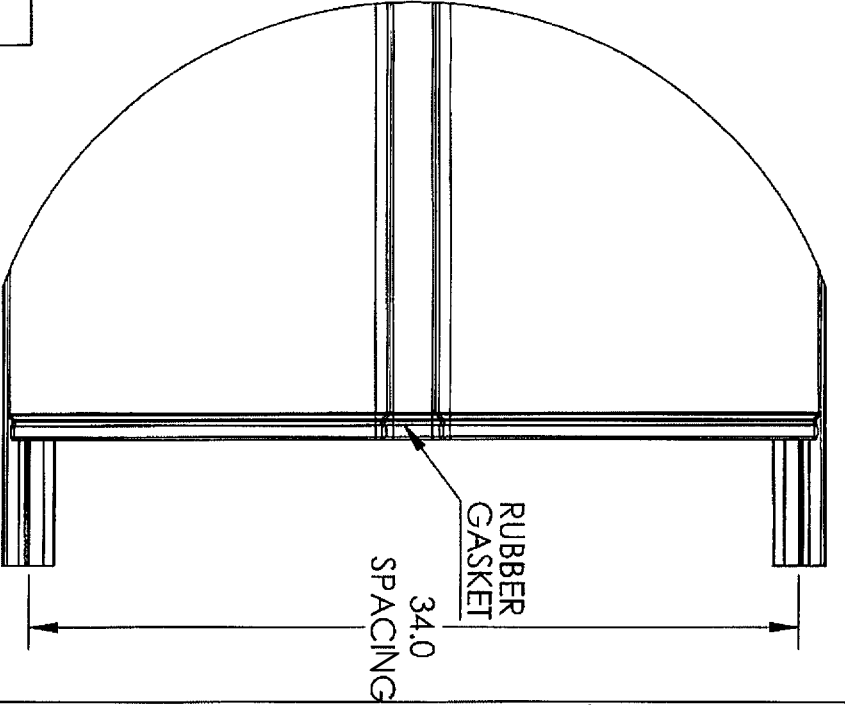
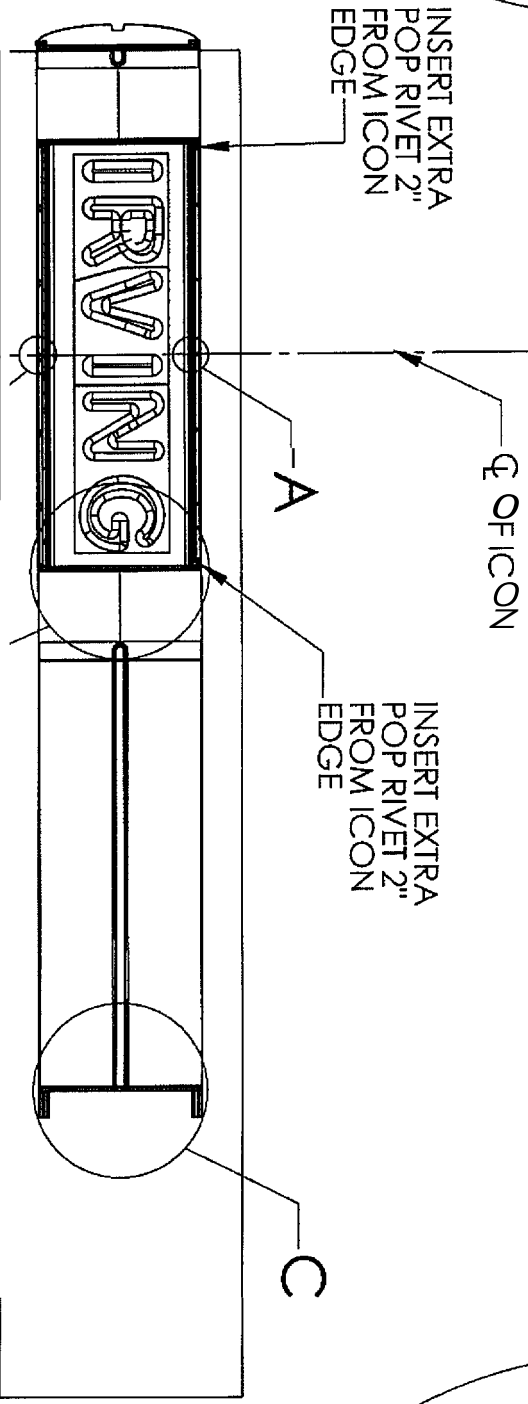
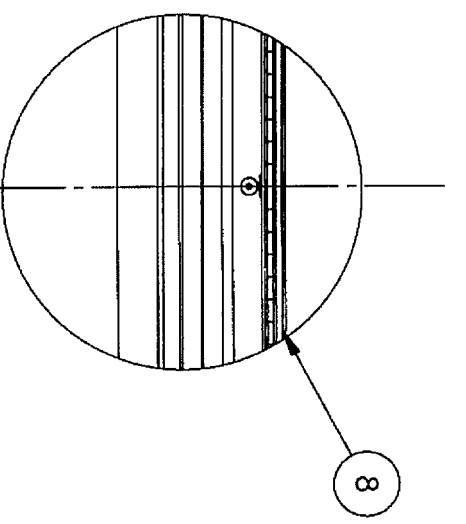
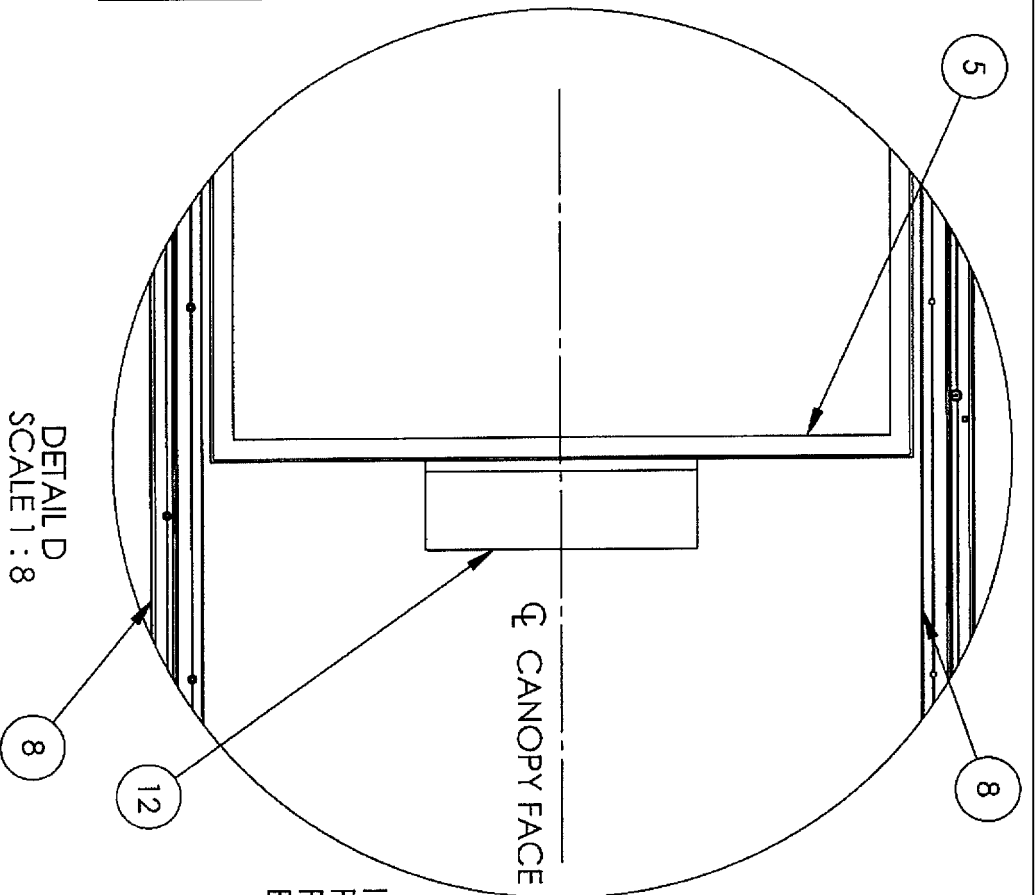
REV	REVISION DESCRIPTION/ISSUE RESOLVE	DATE	APP
1	REVISED FOR APPROVAL	15SEP12005	RM
0	ISSUED FOR APPROVAL	29JUL2005	HC

NOTE: (u)l
 MATERIAL QUANTITIES
 H
 METERS, DIMENSIONS

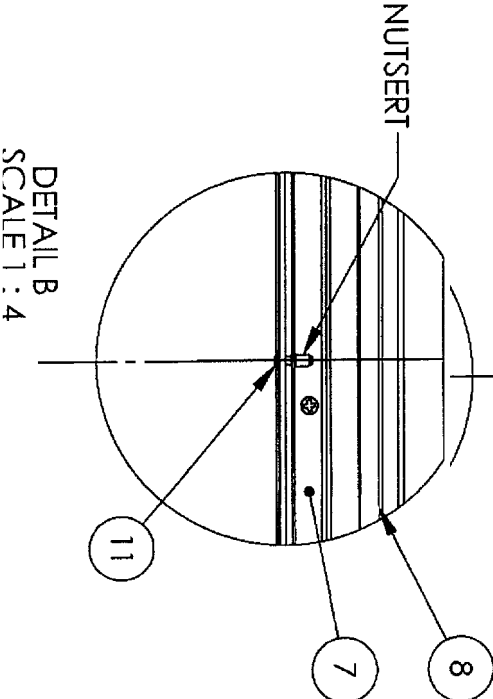
WHITEWATER
 WhiteWater Composites, Ltd.
 200 Industrial Park, Kamourisc, QC Canada, J4V 2K9
 Tel: (281) 546-9102 Fax: (281) 768-3325

CANOPY FASCIA PANEL ASSEMBLY
 INSTALLATION DETAILS
 IRVING OIL LTD
 CANADA & USA

Drawn by: LF	Date: 26JAN2005	Scale: AS NOTED
Drawings checked by:	Fabrication checked by:	
Project No: IRV	Drawing No: S1	Revision: 1



ITEM NO.	PART NUMBER
1	IRV-MFSTR
2	IRV-FFCN
3	IRV-MMTRN
4	IRV-MFCNR
5	LIGHT BOX
6	IRV-2
7	IRV 7 Assem
8	IRV-1
9	SELF-TAPPING FASTNER
10	POP RIVET 0.1875X0.5
11	NO8X32 MACHINE SCREW
12	SPACER BLOCK



A - PROCEED 2/5/06
 AUTHORIZATION TO PROCEED DOES
 RELIEVE CONTRACTOR VENDOR OF
 RESPONSIBILITY OR LIABILITY UND
 CONTRACT/PURCHASE ORDER.

1	REVISED FOR APPROVAL	15SEP12005	RM
0	ISSUED FOR APPROVAL	29JUL2005	HC
REV	REVISION DESCRIPTION/DATE RECEIVED	DATE	APP

NOTE: [redacted] WATER DISTRIBUTION MATERIAL SHIPMENT

WHITEWATER
 WhiteWater Composites Ltd.
 5000 Highway 100, Unit 515
 Tel: (250) 766-9155 Fax: (250) 766-1577

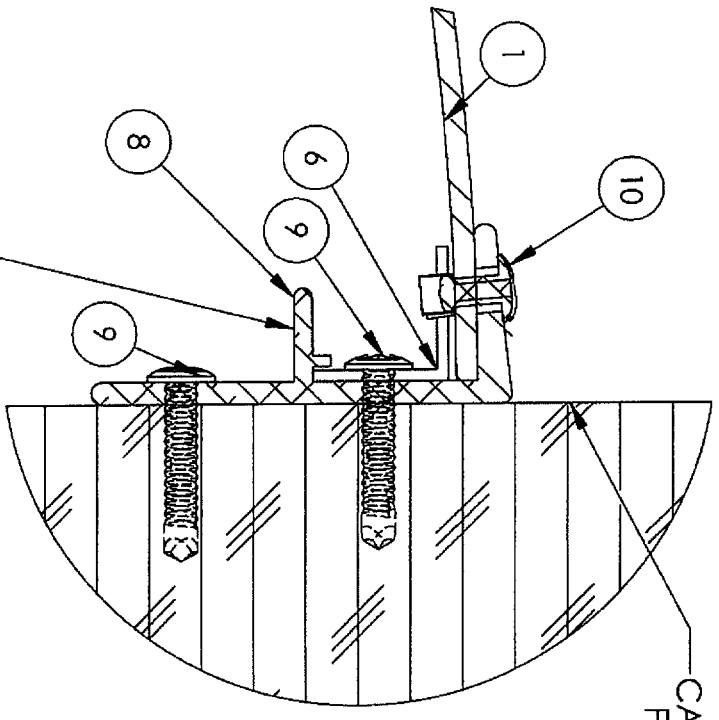
CANOPY FASCIA PANEL ASSEMBLY
 INSTALLATION DETAILS
 IRVING OIL LTD
 CANADA & USA

DESIGNED BY: LF	DATE: 26JAN2006	SCALE: AS NOTED
CHECKED BY:	FABRICATION CHECKED BY:	
Project No. IRV	Revision No. S2	Revision 1

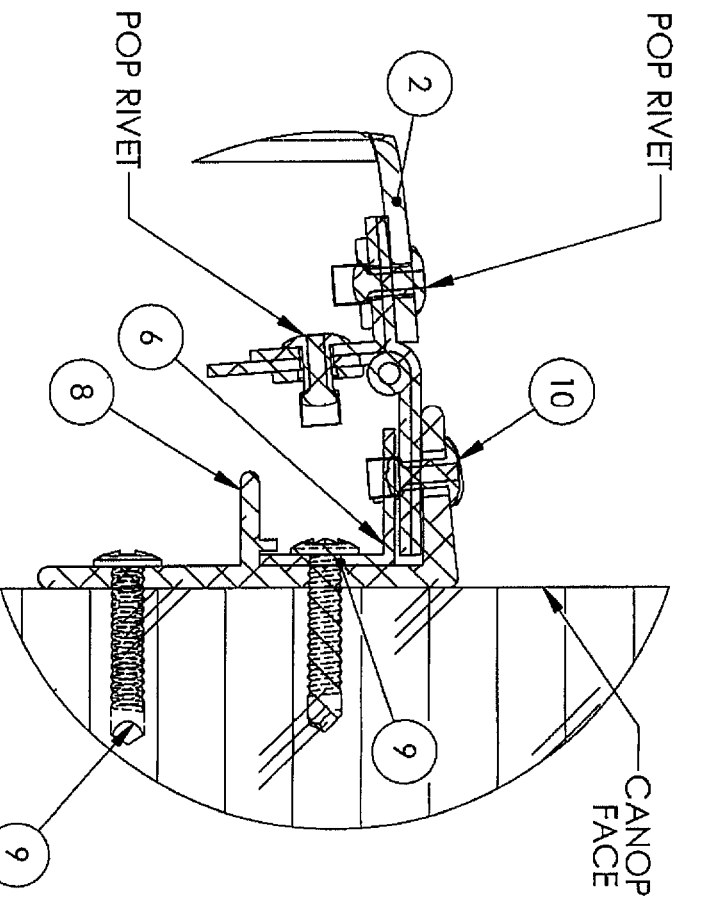
A - PROCEED
 AUTHORIZATION TO PROCEED DOES NOT
 RELIEVE CONTRACTOR VENDOR OF ITS
 RESPONSIBILITY OR LIABILITY UNDER THE
 CONTRACT/PURCHASE ORDER.

Sept 05
[Signature]

ITEM NO.	PART NUMBER
1	IRV-MFSTR
2	IRV-FFCN
3	IRV-MMTRN
4	IRV-MFCNR
5	LIGHT BOX
6	IRV-2
7	IRV 7 Assem
8	IRV-1
9	SELF-TAPPING FASTENER
10	POP RIVET 0.1875X0.5
11	NO8X32 MACHINE SCREW
12	SPACER BLOCK



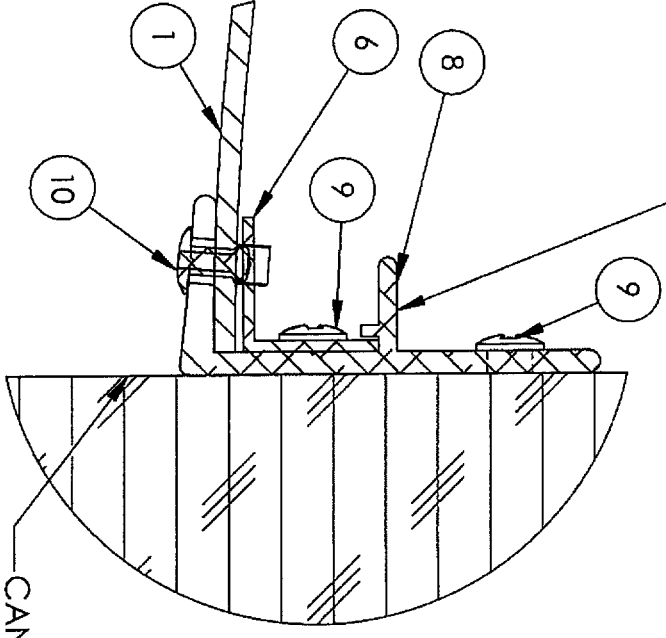
DETAIL 1
SCALE 1 : 1



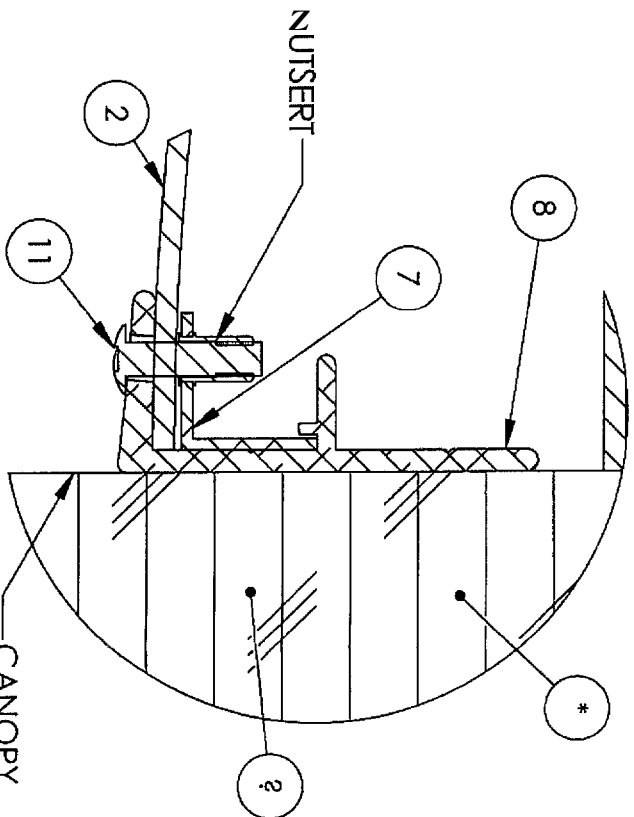
DETAIL 3
SCALE 1 : 1

NOTE: DETAIL 1 & 2 CONNECTIONS
 SAME FOR MF-STR,
 MM-TRN,
 AND MFCNR

NOTE: DETAIL 3 & 4 FOR ICON
 SECTION ONLY



DETAIL 2
SCALE 1 : 1



DETAIL 4
SCALE 1 : 1

1	REVISED FOR APPROVAL	15SEP2005	RM
0	ISSUED FOR APPROVAL	29JUL2005	HC
REV	REVISION DESCRIPTION/SCALE RECORD	DATE	APP

NOTE: (u) Metric Dimension
 III Imperial Dimension

WHITEWATER
 WhiteWater Composites Ltd.
 5505 Holliston Road, Richmond, BC Canada, V7V 2K5
 Tel: (250) 766-5152 Fax: (250) 766-1557

CANOPY FASCIA PANEL ASSEMBLY
 INSTALLATION DETAILS
 IRVING OIL LTD
 CANADA & USA

DRAWING BY: LCF	DATE: 27JUL2005	SCALE: AS NOTED
CHECKED BY:	FABRICATION CHECKED BY:	
PROJECT No: IRV	Drawing No: S3	REVISION: 1