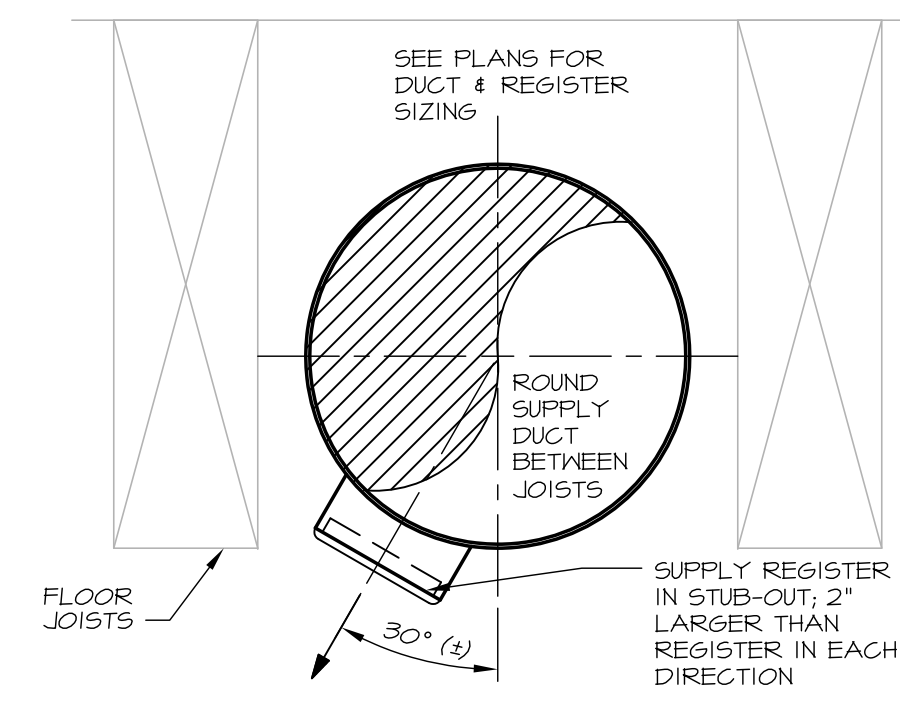
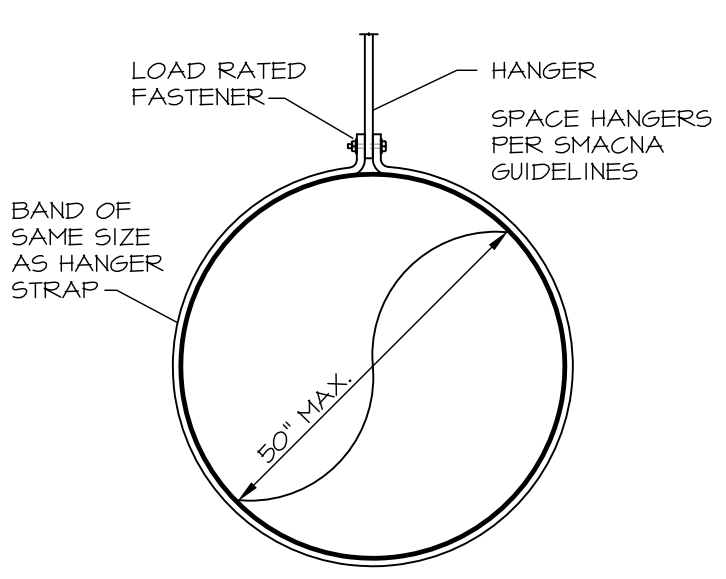


- ① 10"x8" TRANSFER GRILLES ON EITHER SIDE OF WALL. 8" AFF TO BOTTOM ON OFFICE SIDE & 100" AFF TO BOTTOM ON OPEN OFFICE SIDE. JOIN TOGETHER WITH 10"x34" DUCT IN WALL.
 - ② 3/4" PVC CONDENSATE DRAIN AT EACH AIR HANDLER.
 - ③ 1" PVC CONDENSATE DRAIN TO FLOOR DRAIN.
- SET OU-17, 19, 18 & 20 ON 12" HIGH (MINIMUM) STANDS.



TYPICAL SUPPLY REGISTER DETAIL
NO SCALE



ROUND DUCT SUPPORT
NO SCALE



MECHANICAL SYSTEMS ENGINEERS
ROYAL RIVER CENTER, UNIT #10
10 FOREST FALLS DRIVE
YARMOUTH, MAINE 04096
(207) 846-1441
© COPYRIGHT 2011 M.S.E. Proj. 1121

Winton Scott Architects
5 Milk St. Portland, ME 04101
207.774.6680 | wintonsscott.com

Mechanical Systems Engineers
Royal River Center #10
10 Forest Falls Dr., Yarmouth, ME 04096
207.846.1441 |

Bartlett Design
942 Washington St., Bath, ME 04530
207.443.5447 | bartlettdesigninc@comcast.net

SCALE: 1/4" = 1'-0"

MECHANICAL DUCTWORK PLAN

M1.1

JULY 01, 2011