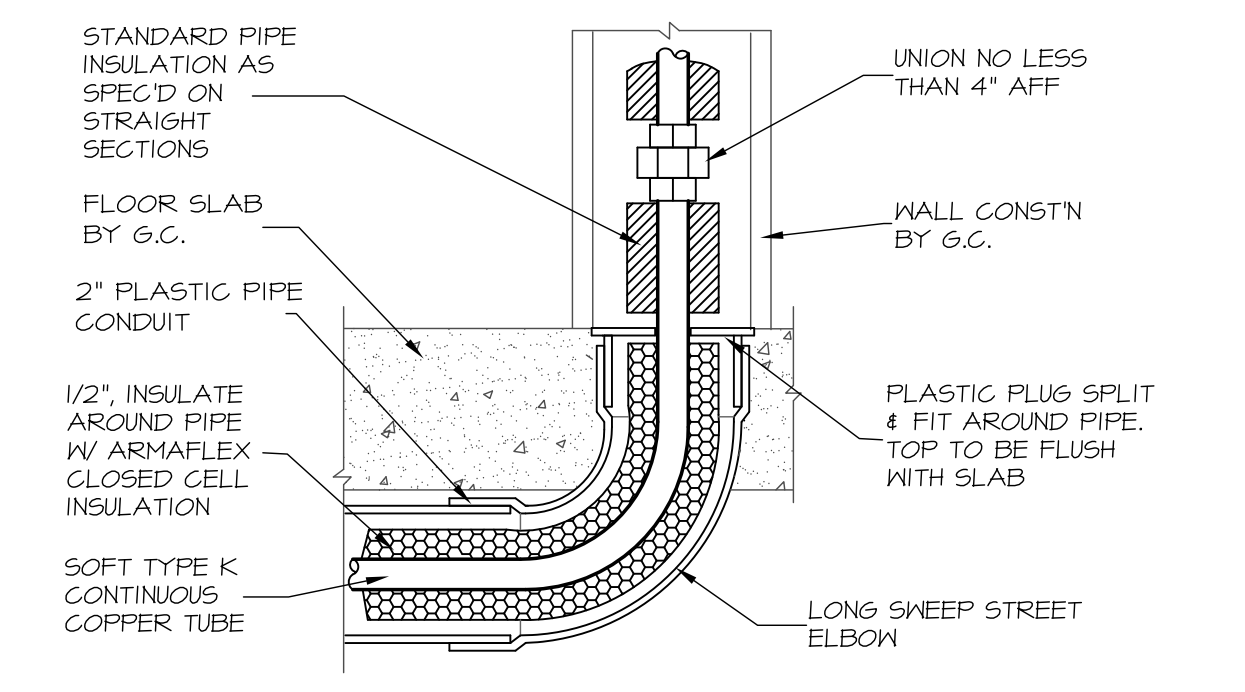
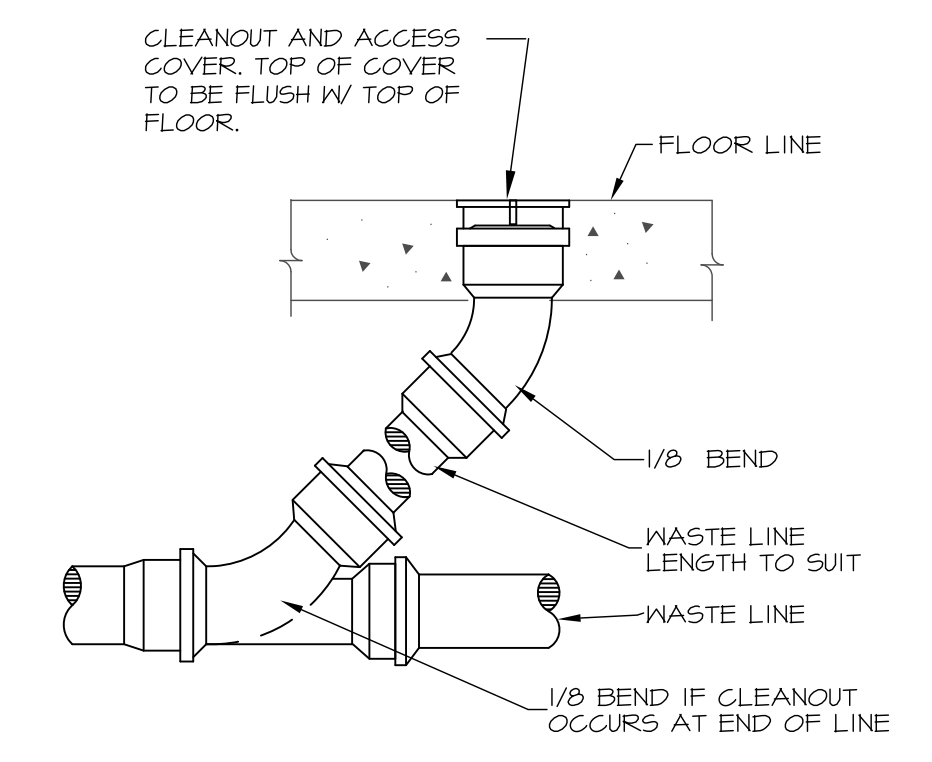


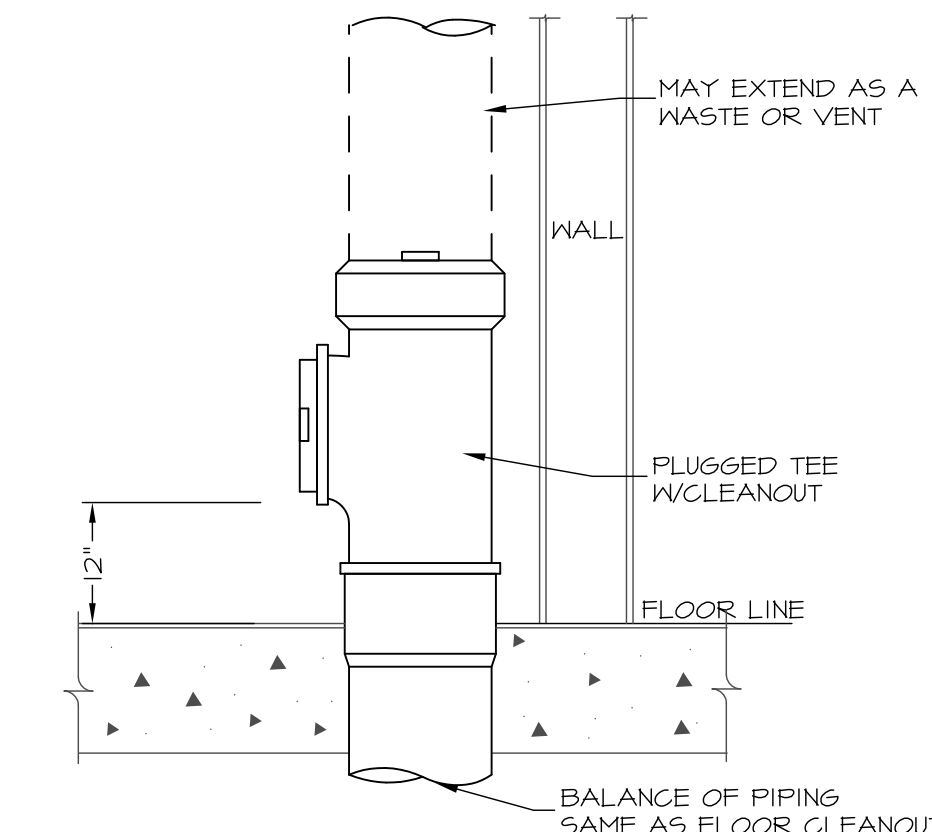
1 HOT WATER SYSTEM DIAGRAM
SCALE: NONE



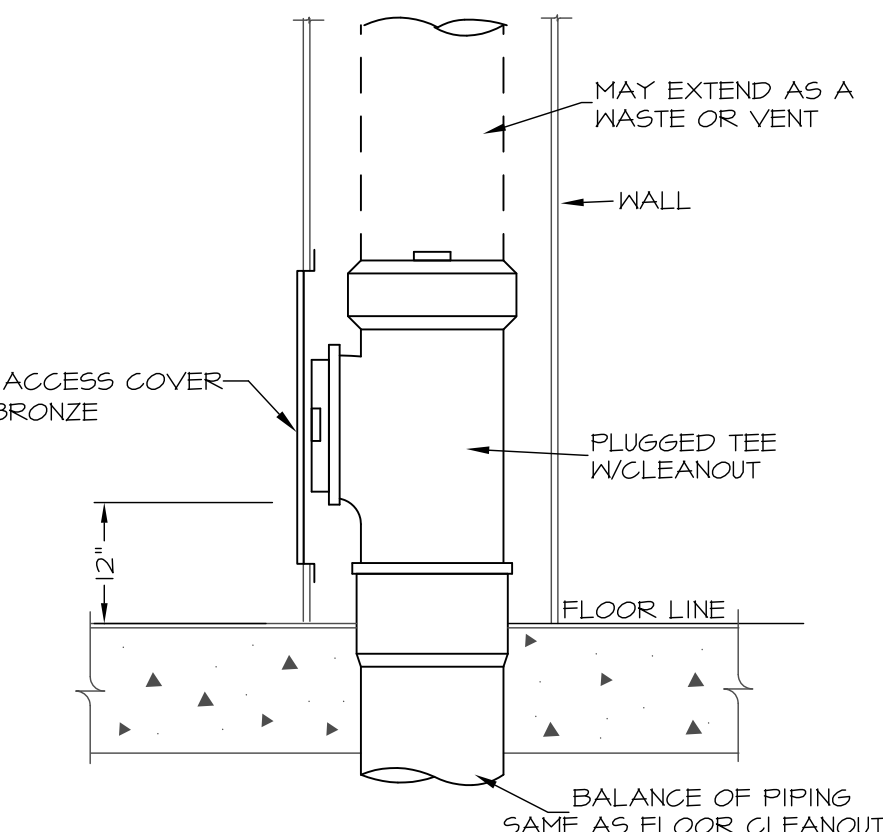
2 COPPER HOT WATER PIPE UNDER SLAB
SCALE: NONE



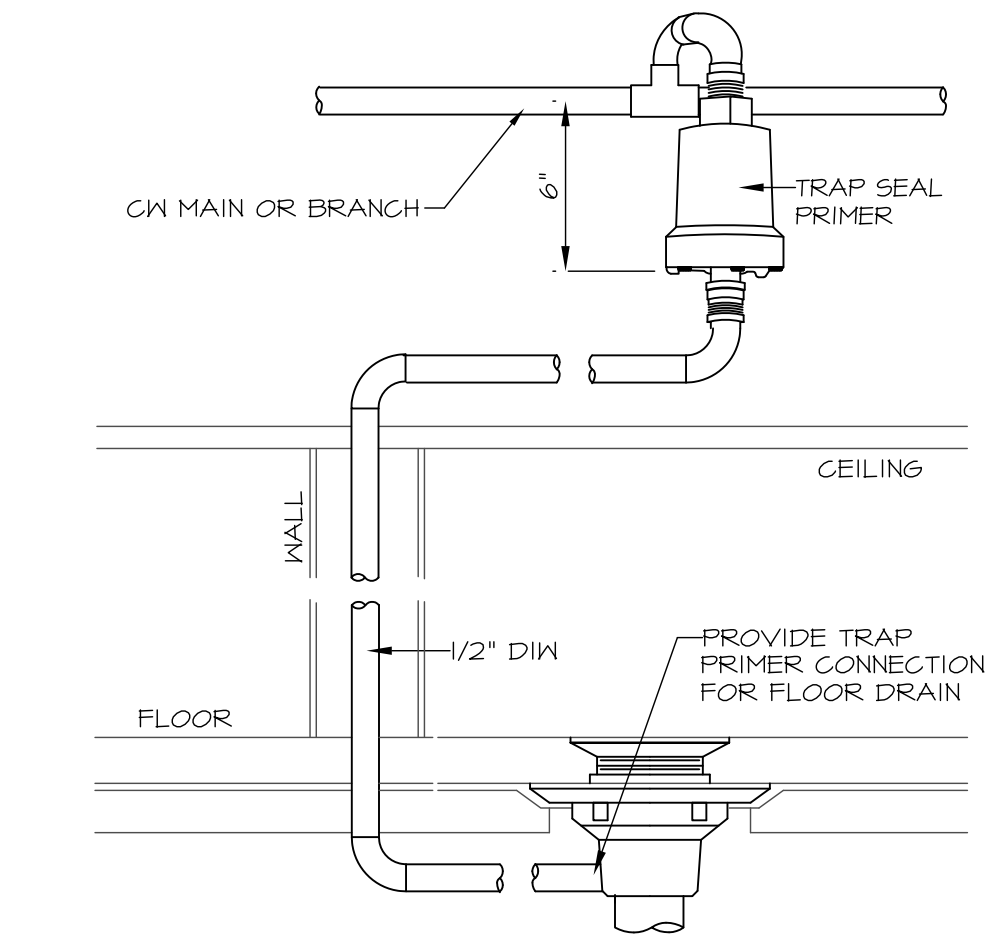
3 FLOOR CLEAN OUT DETAIL
SCALE: NONE



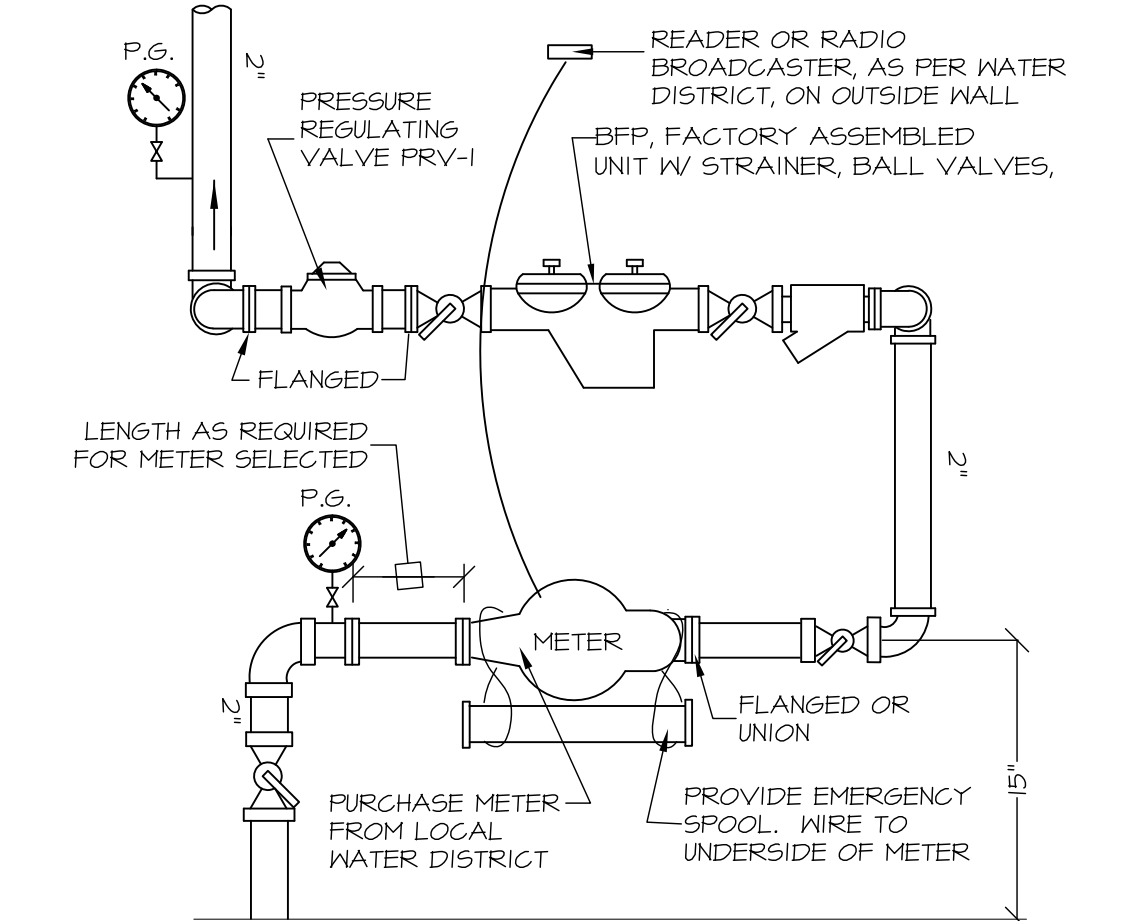
4 EXPOSED CLEAN OUT DETAIL
SCALE: NONE



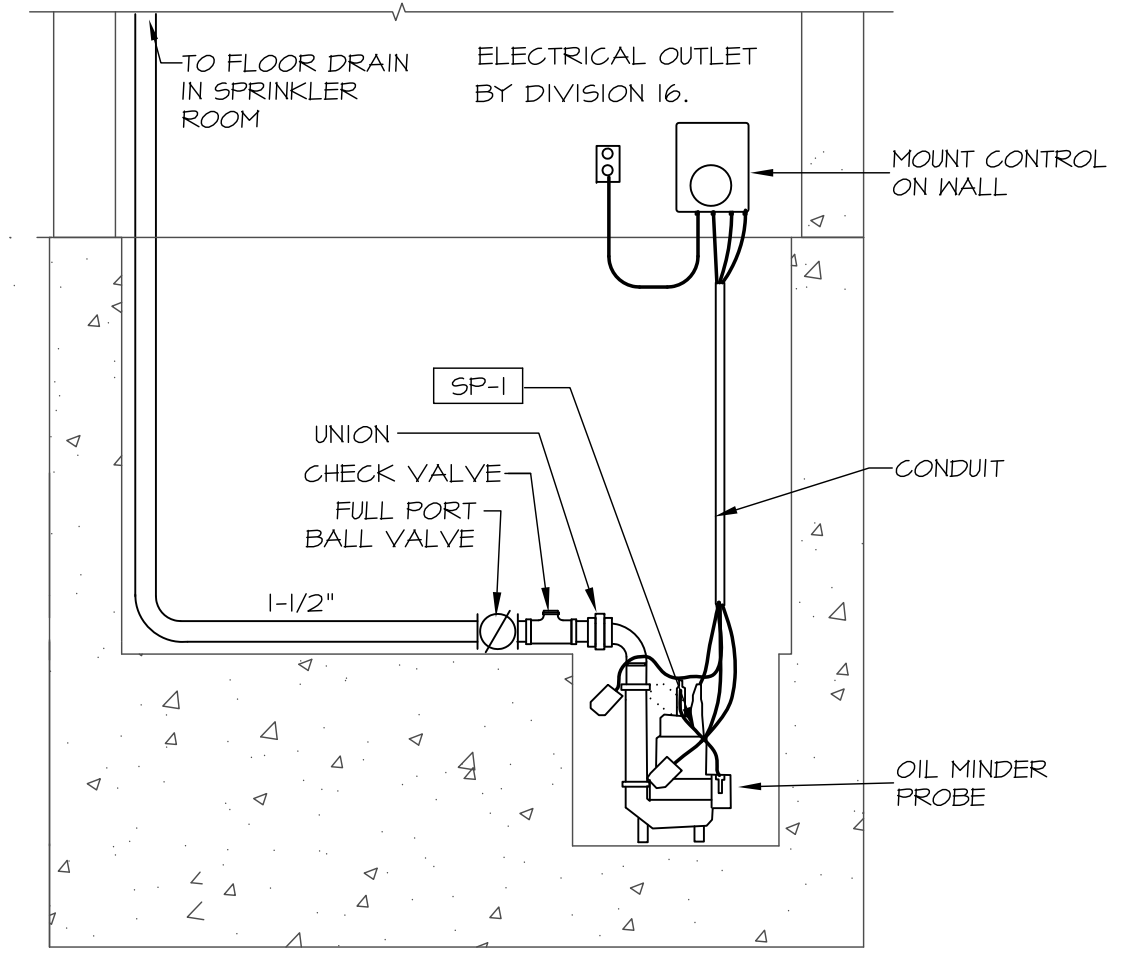
5 WALL CLEAN OUT DETAIL
SCALE: NONE



6 AUTOMATIC TRAP SEAL PRIMER DETAIL
SCALE: NONE



7 DOMESTIC WATER ENTRANCE
SCALE: NONE



8 ELEVATOR SUMP PUMP DETAIL
SCALE: NONE

MECHANICAL SYSTEMS ENGINEERS
ROYAL RIVER CENTER, UNIT #10
10 FOREST FALLS DRIVE
YARMOUTH, MAINE 04096
VOICE: (207) 846-1441
FAX: (207) 846-1443
© COPYRIGHT 2010
M.S.E. Proj. 1020

REV #	DATE	DESCRIPTION

Renovations To:
CUMBERLAND COLD STORAGE BUILDING
Merrill's Wharf, Portland, Maine

PLUMBING
DETAILS
P8
9.23.2010

September 22, 2010 - 12:51 pm
\\Meris\Projects\1020 Cumberland Cold Storage Drawings\1020_P8-P8.dwg



Blais Civil Engineers, PA
780 Broadway
South Portland, Maine 04106
T. 207.767.7300
sblaise@blaisece.com

Bartlett Design
942 Washington Street
Bath, Maine 04530
T. 207.443.5447 F. 207.443.5560
bartdes@blazenetme.net

Mechanical Systems Engineers
Royal River Center, Unit #10
10 Forest Falls Drive, Yarmouth, Maine 04096
T. 207.846.1441 F. 207.846.1443

Carroll Associates Landscape Architects
217 Commercial Street, Suite 200
Portland, Maine 04101
T. 207.772.1552 F. 207.772.0712

Becker Structural Engineers, Inc.
75 York Street, Portland, Maine 04101
T. 207.879.1838 F. 207.879.1822
www.beckerstructural.com

Winton Scott Architects, PA
5 Milk Street, Portland, Maine 04101
207.774.4811 www.wintonscott.com