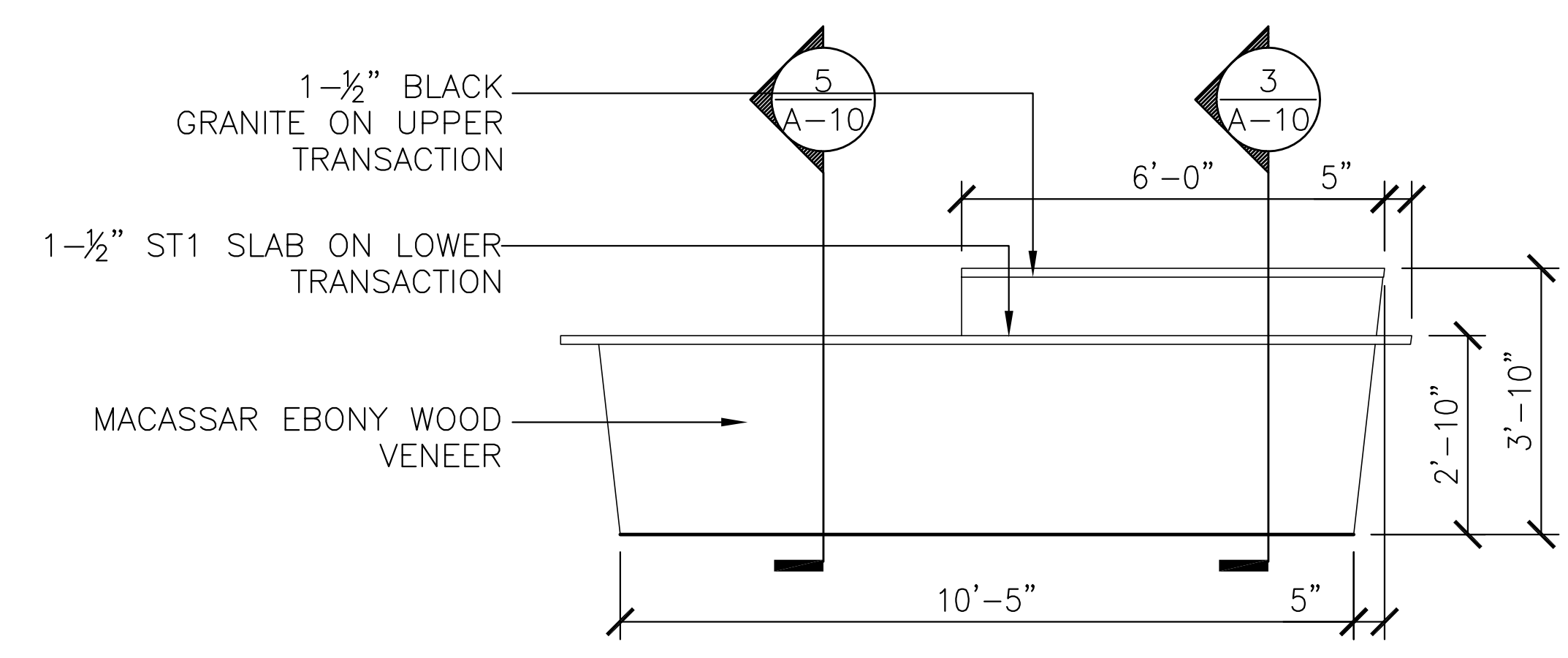
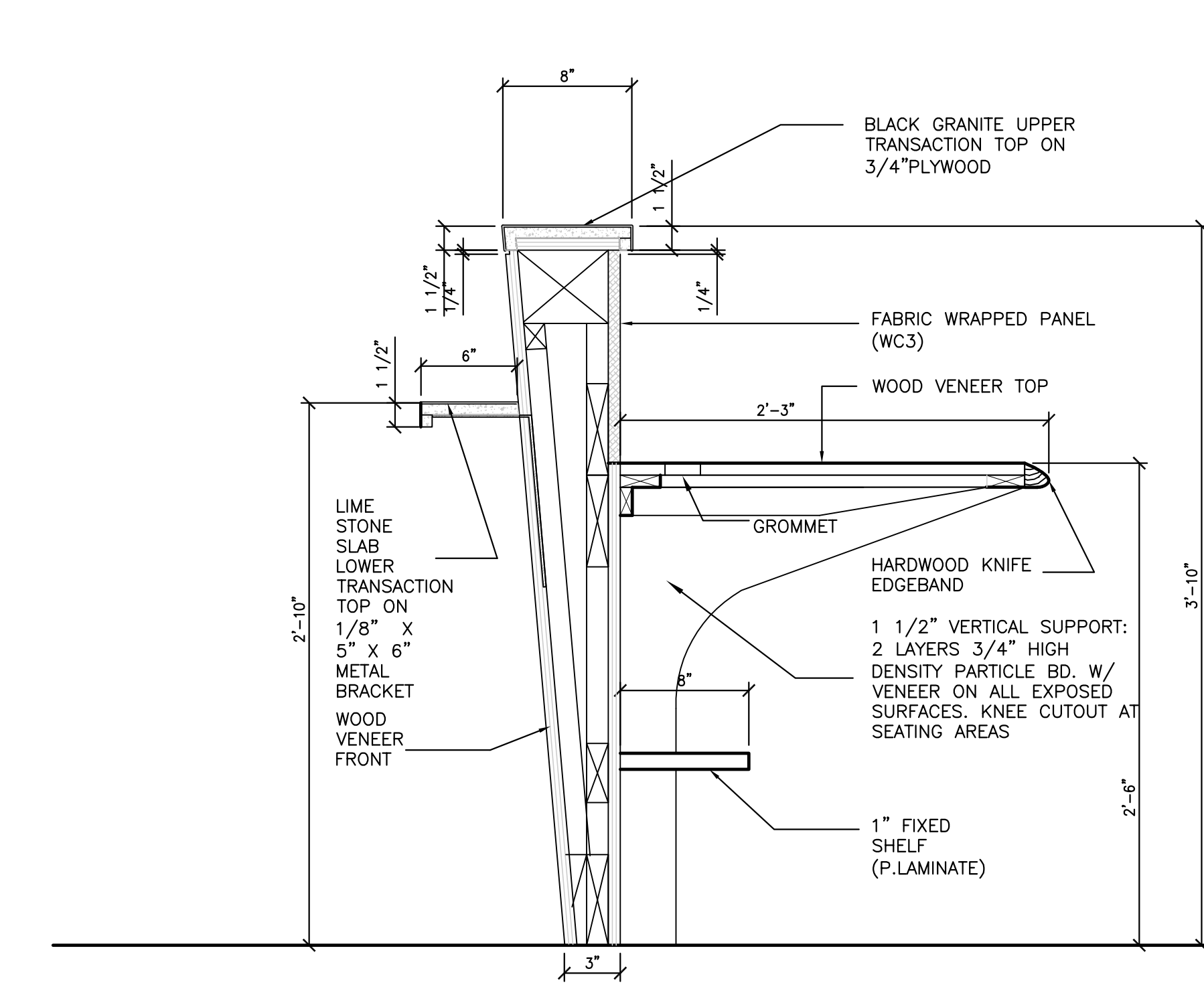


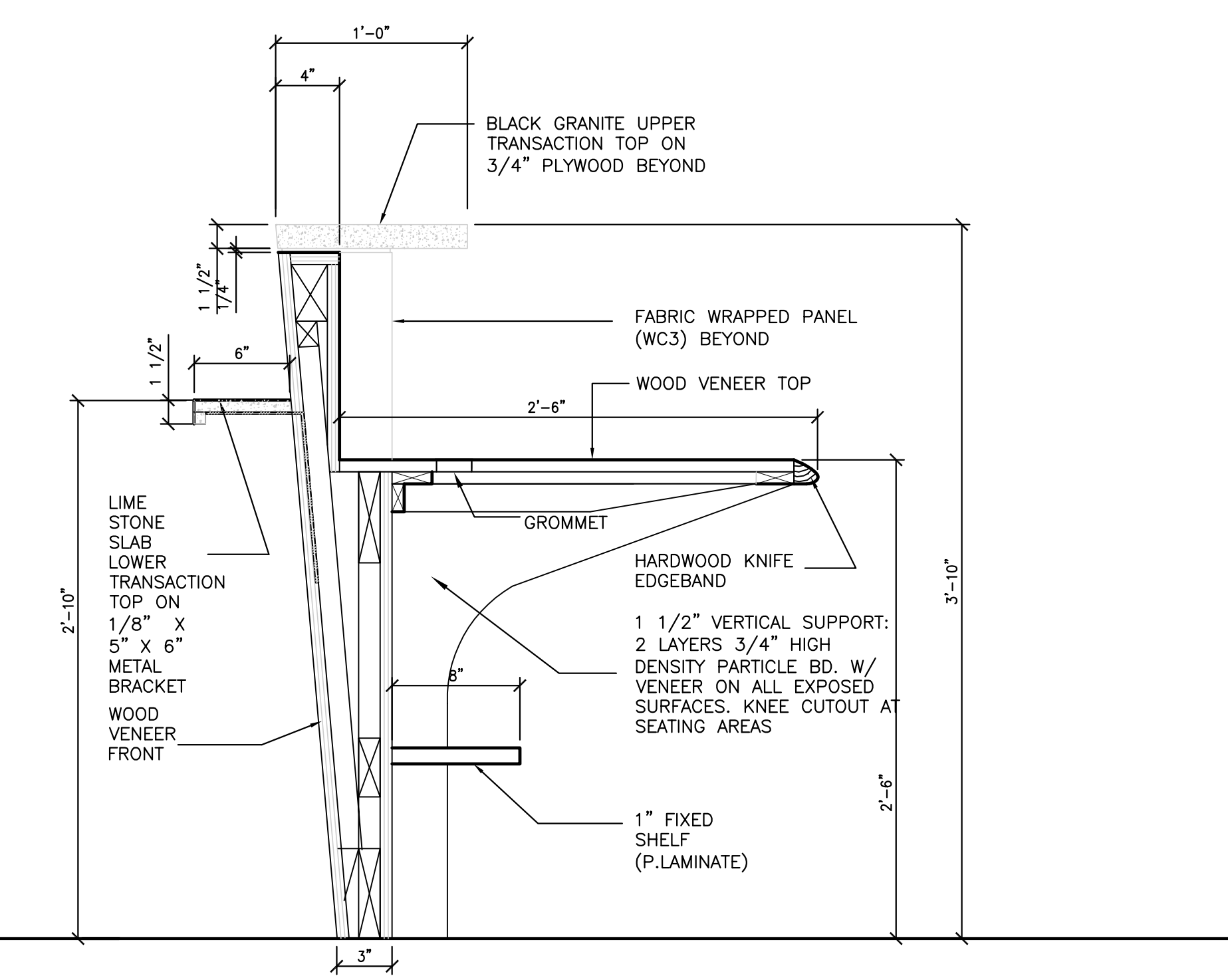
1 RECEPTION DESK
A-10 1/2" = 1'-0"



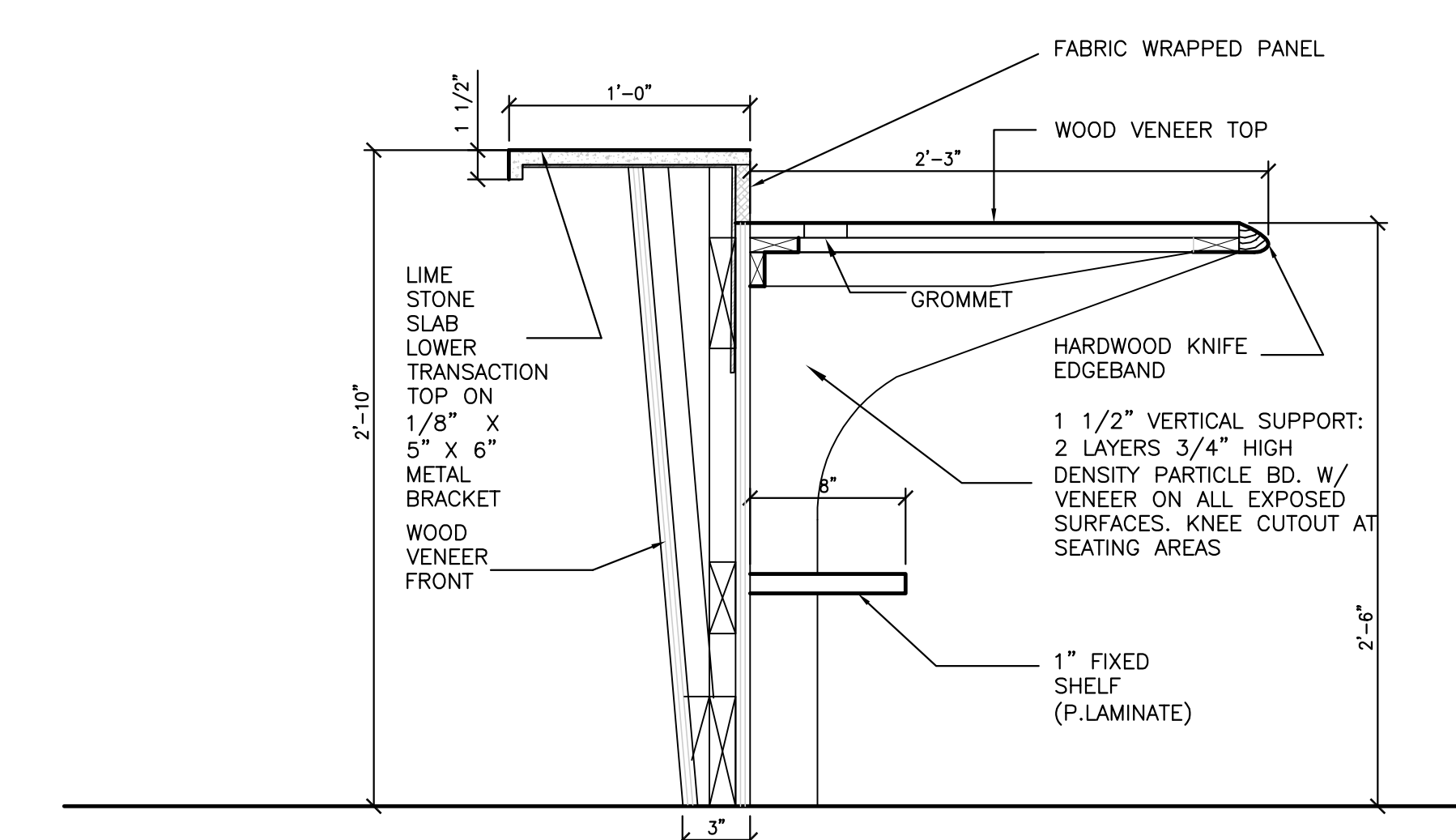
2 RECEPTION DESK
A-10 1/2" = 1'-0"



3



4



5

NO.	DATE	REVISION