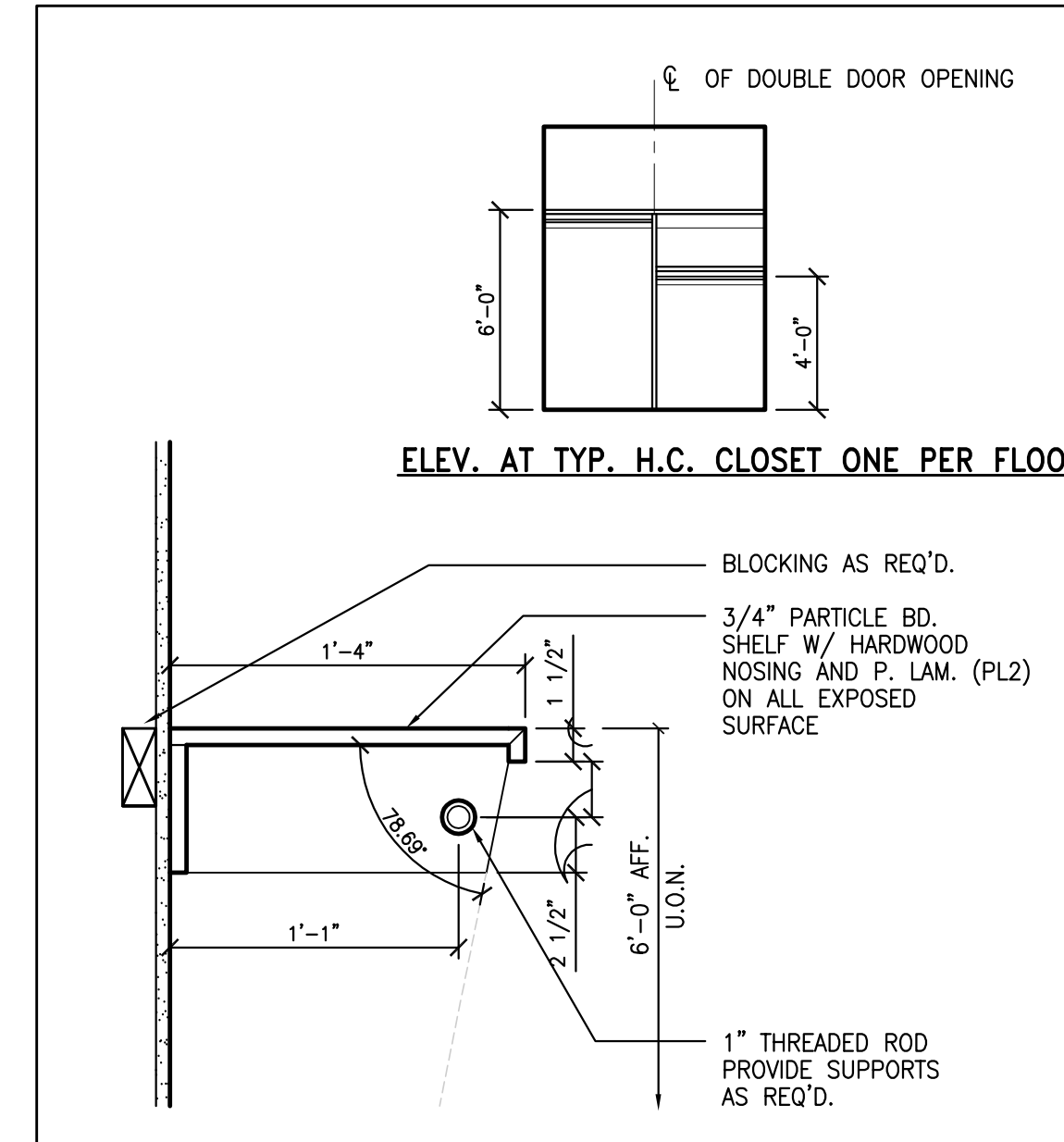
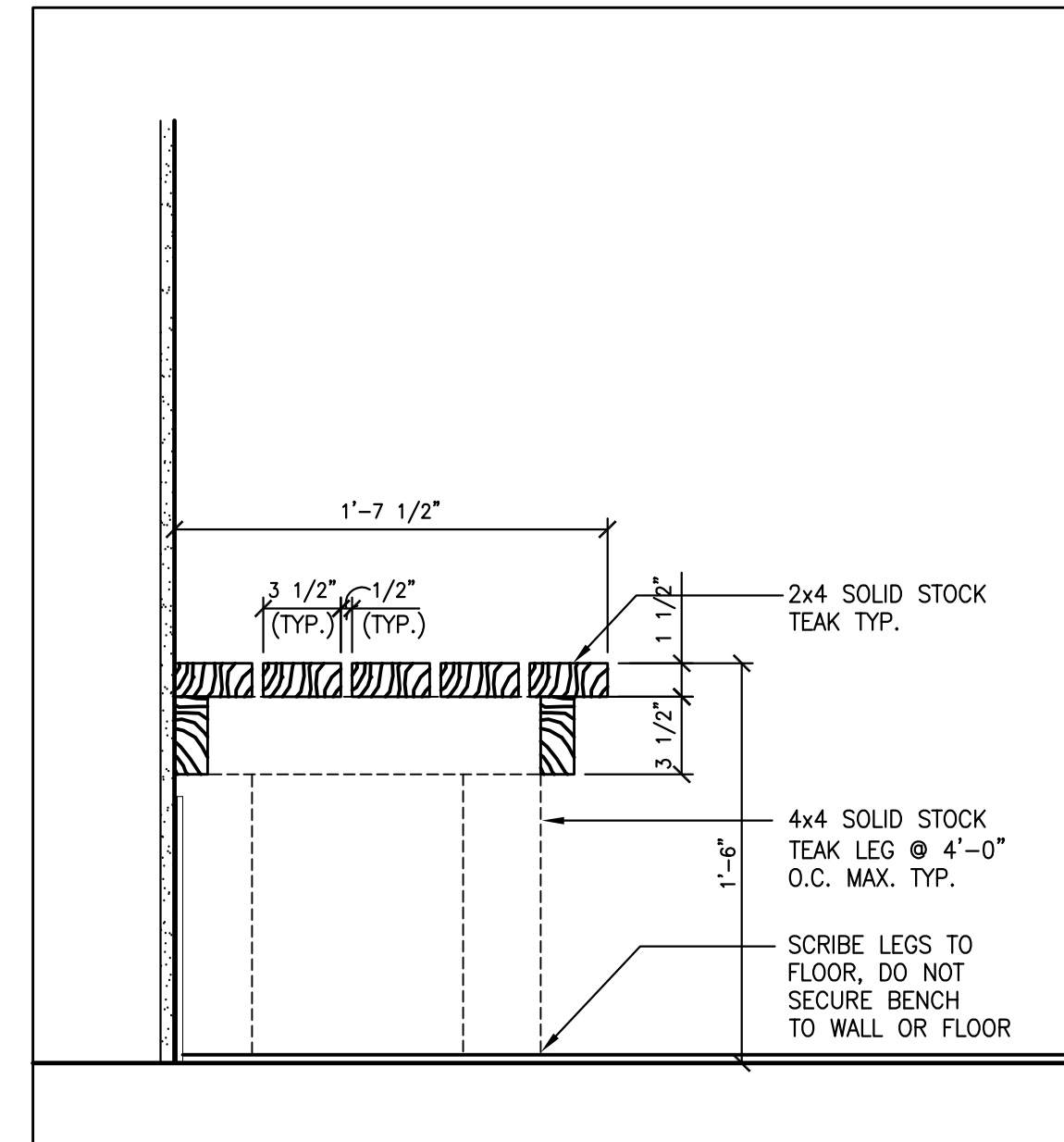


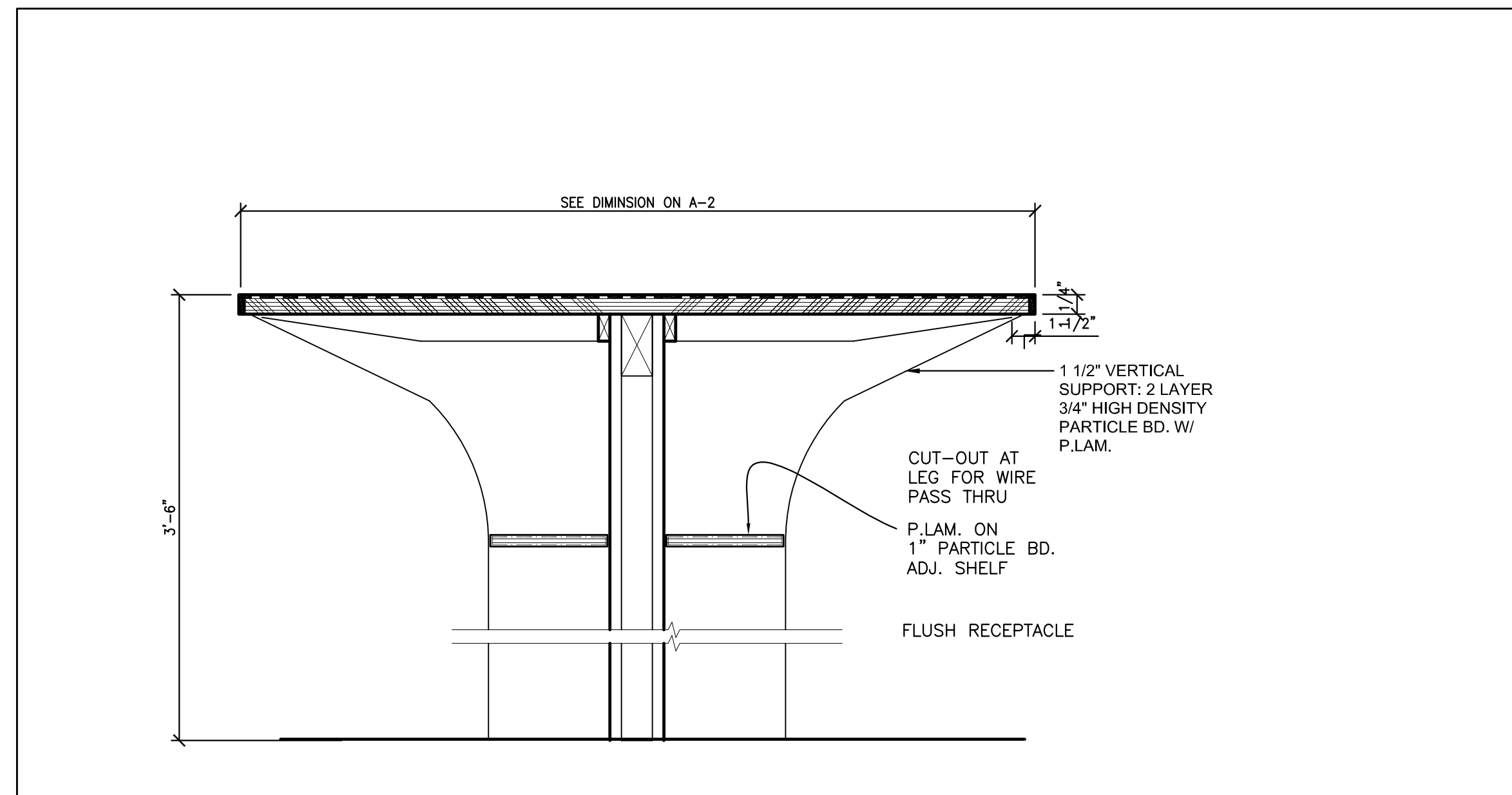
31 WORK SURFACE 1 1/2" = 1'-0"



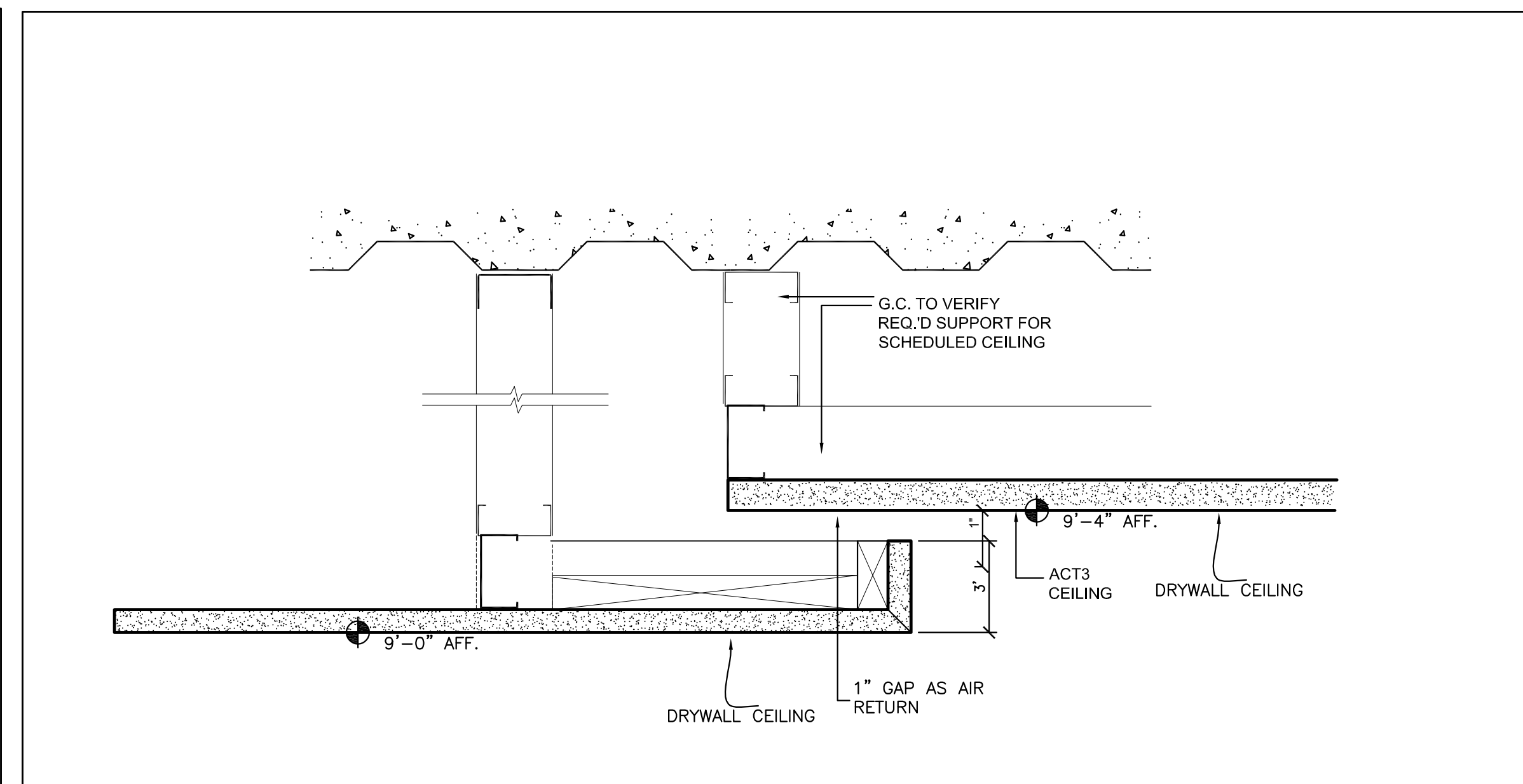
32 COAT ROD AND SHELF 1 1/2" = 1'-0"



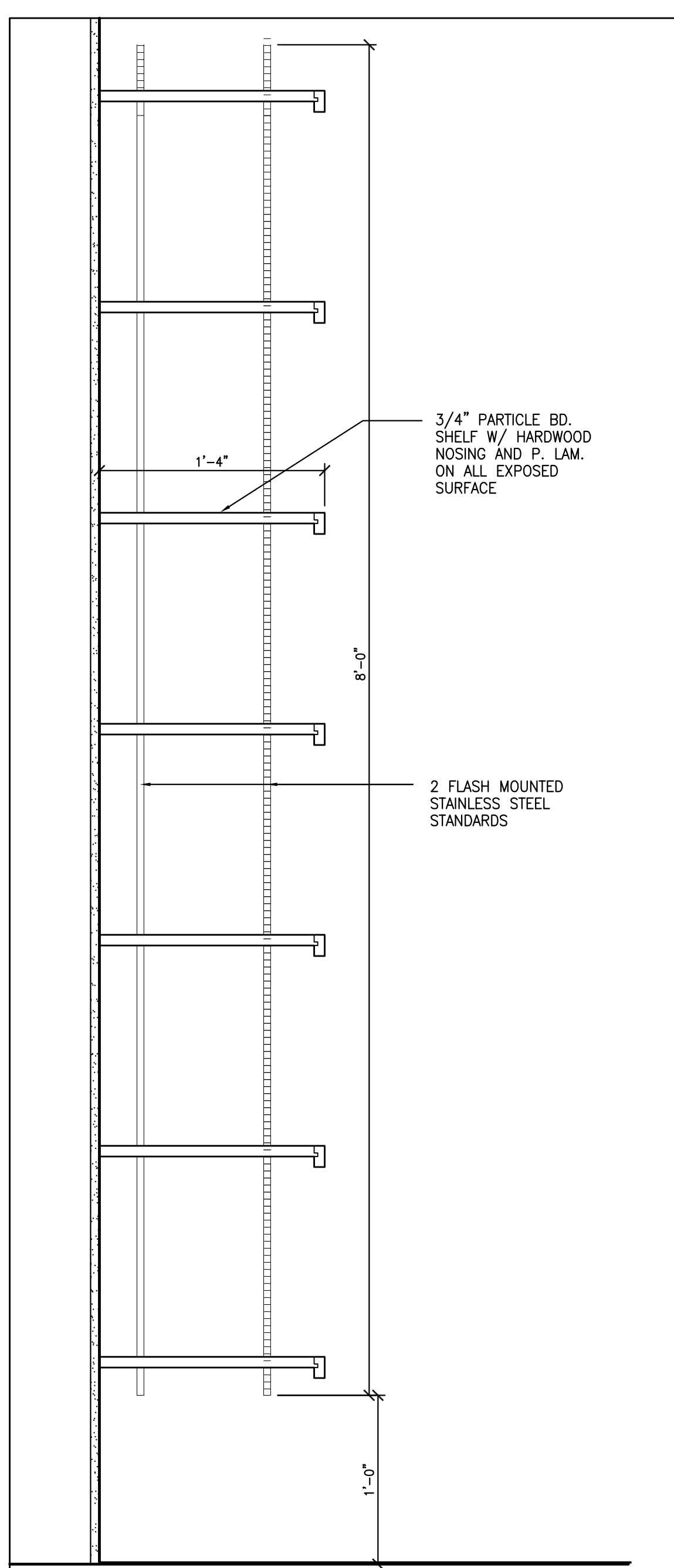
33 WOOD BENCH 1 1/2" = 1'-0"



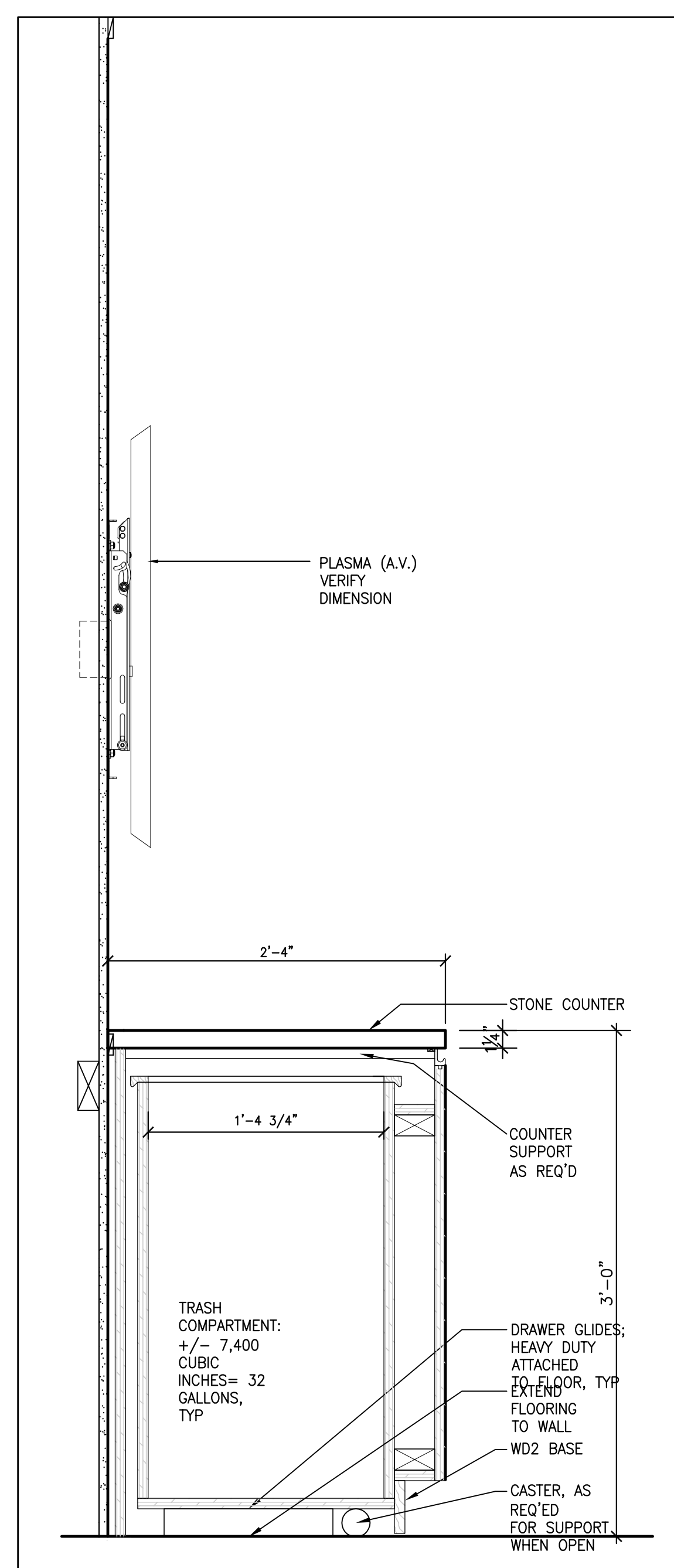
34 SECTION AT ISLAND COUNTER IN IT AREA 1-1/2" = 1'-0"



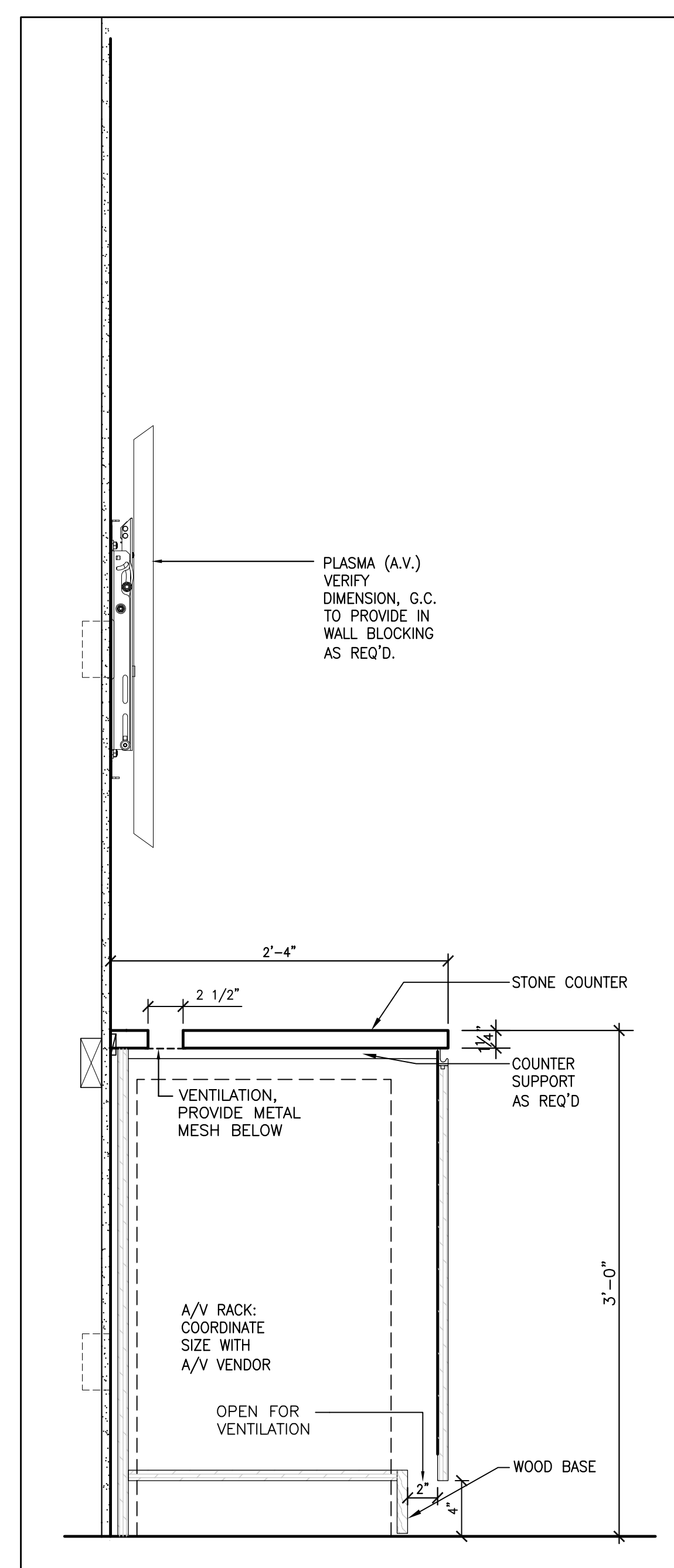
35 5TH FLOOR RECEPTION CEILING 1-1/2" = 1'-0"



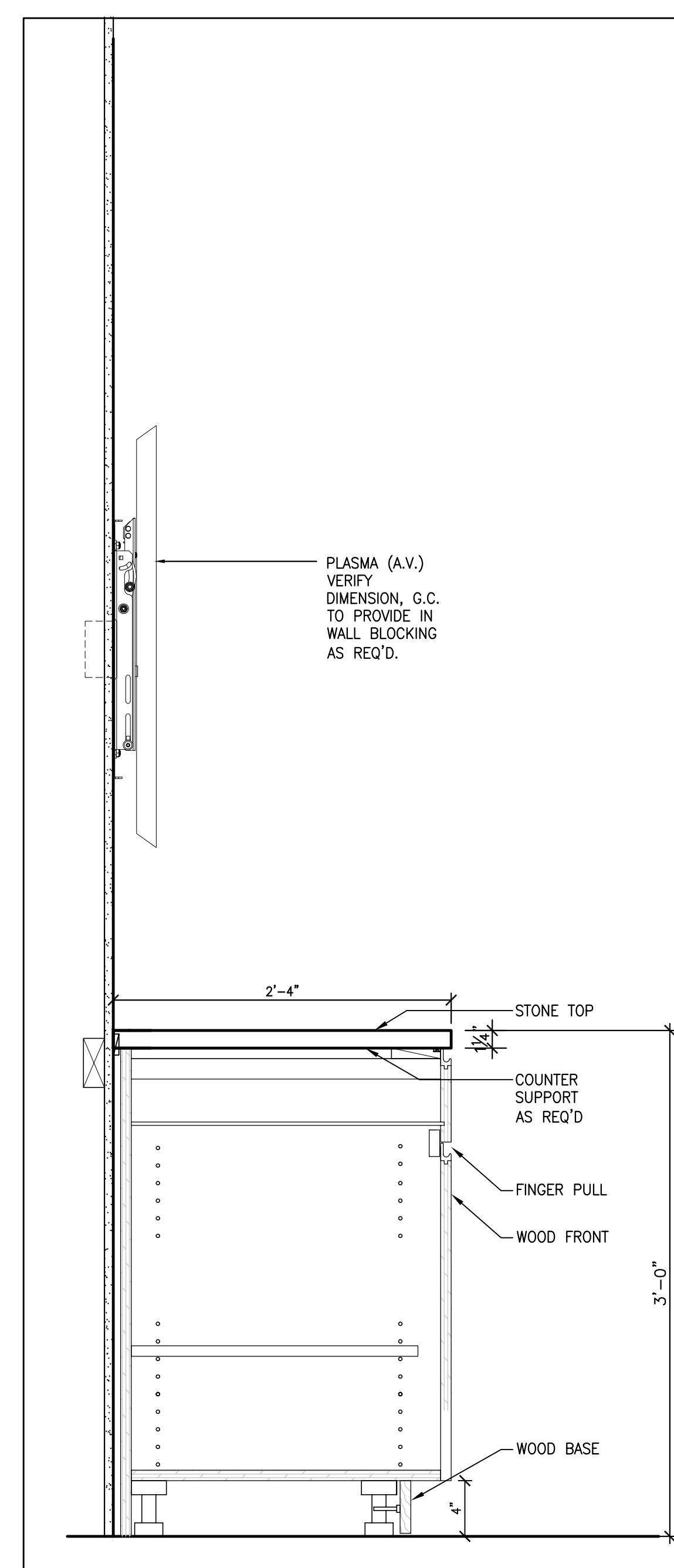
37 ADJUSTABLE SHELF 1 1/2" = 1'-0"



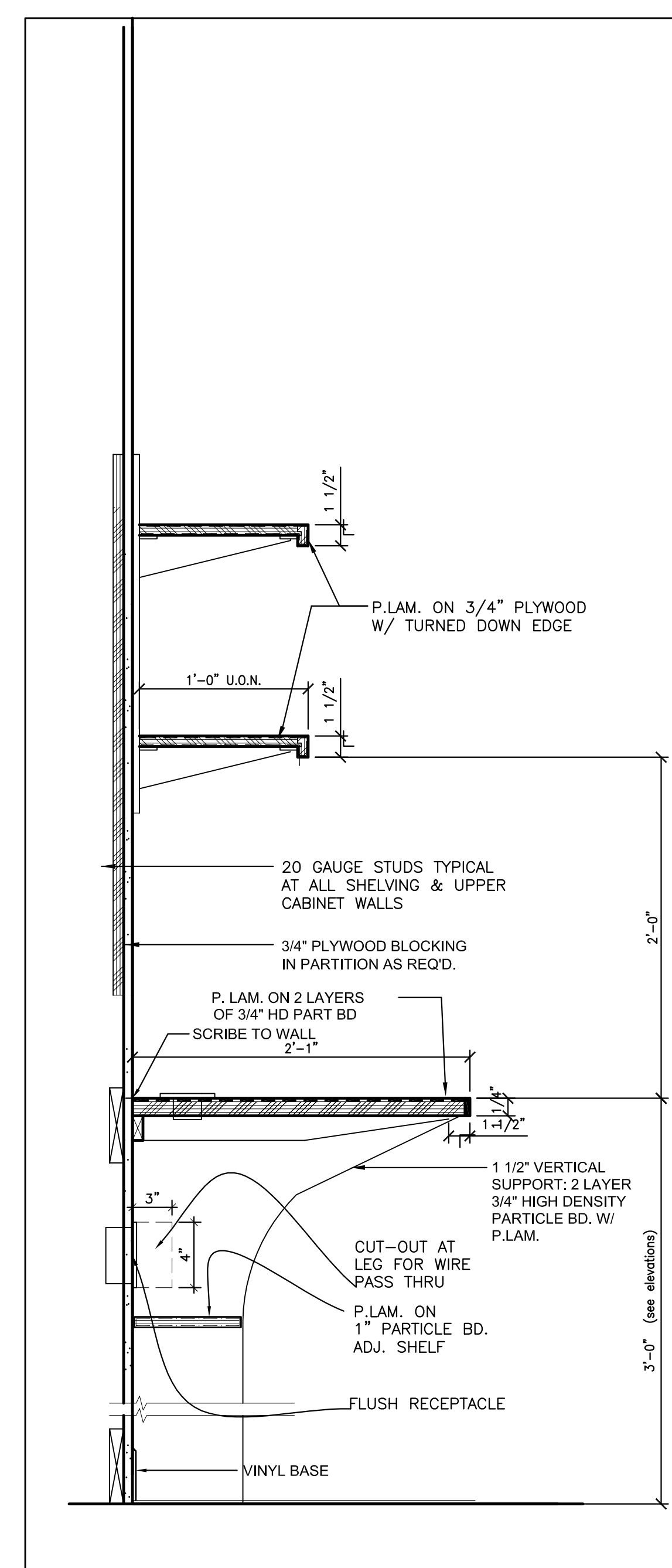
38 BUILT-IN CREDENZA- TRASH 1 1/2" = 1'-0"



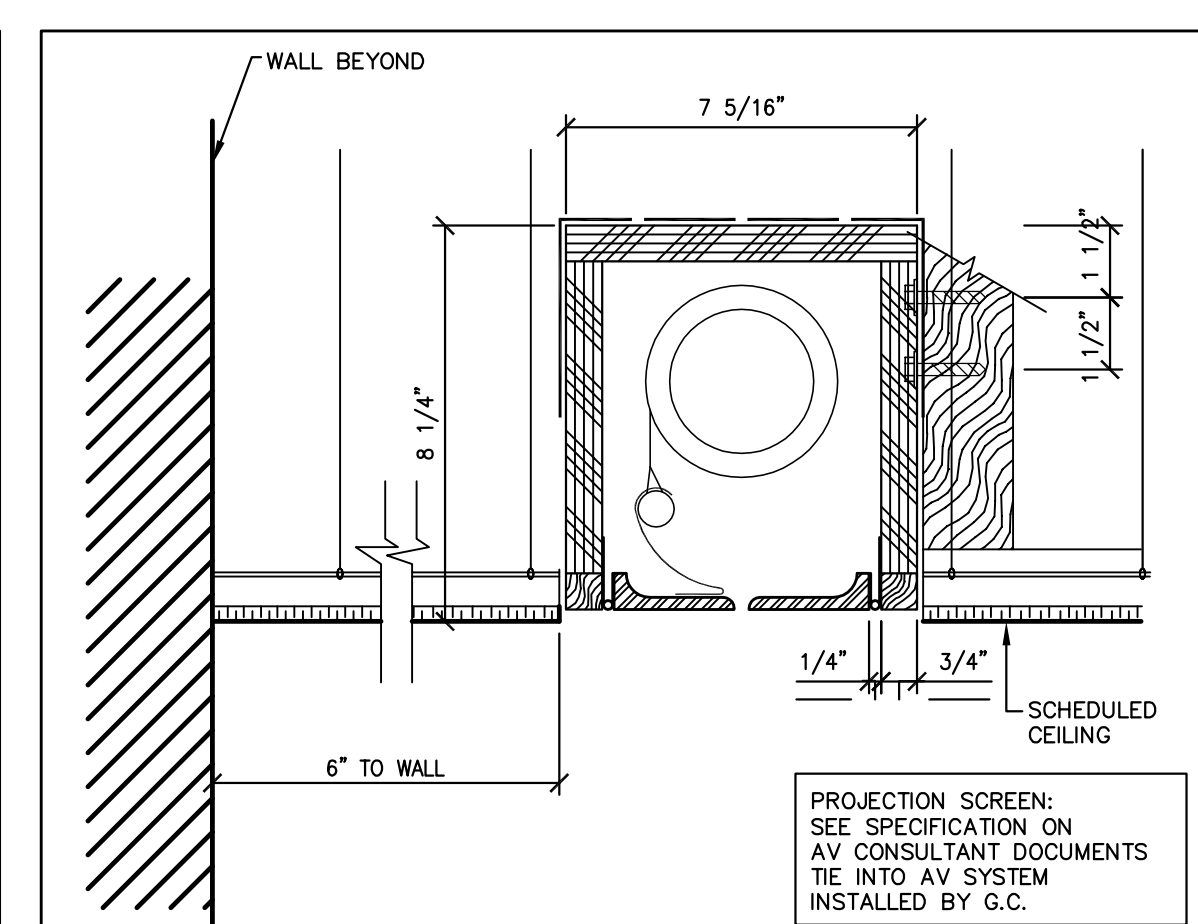
39 BUILT-IN CREDENZA- A/V 1 1/2" = 1'-0"



40 BUILT-IN CREDENZA- CABINET 1 1/2" = 1'-0"



41 PRODUCTION ROOM 1 1/2" = 1'-0"



36 PROJECTION SCREEN 3" = 1'-0"

NO.	DATE	REVISION

TITLE	SCALE	AS NOTED	DATE	PROJECT NO.	CHK	RC
DETAILS	AS NOTED	09.23.10	2010.053	DRWN	SN	