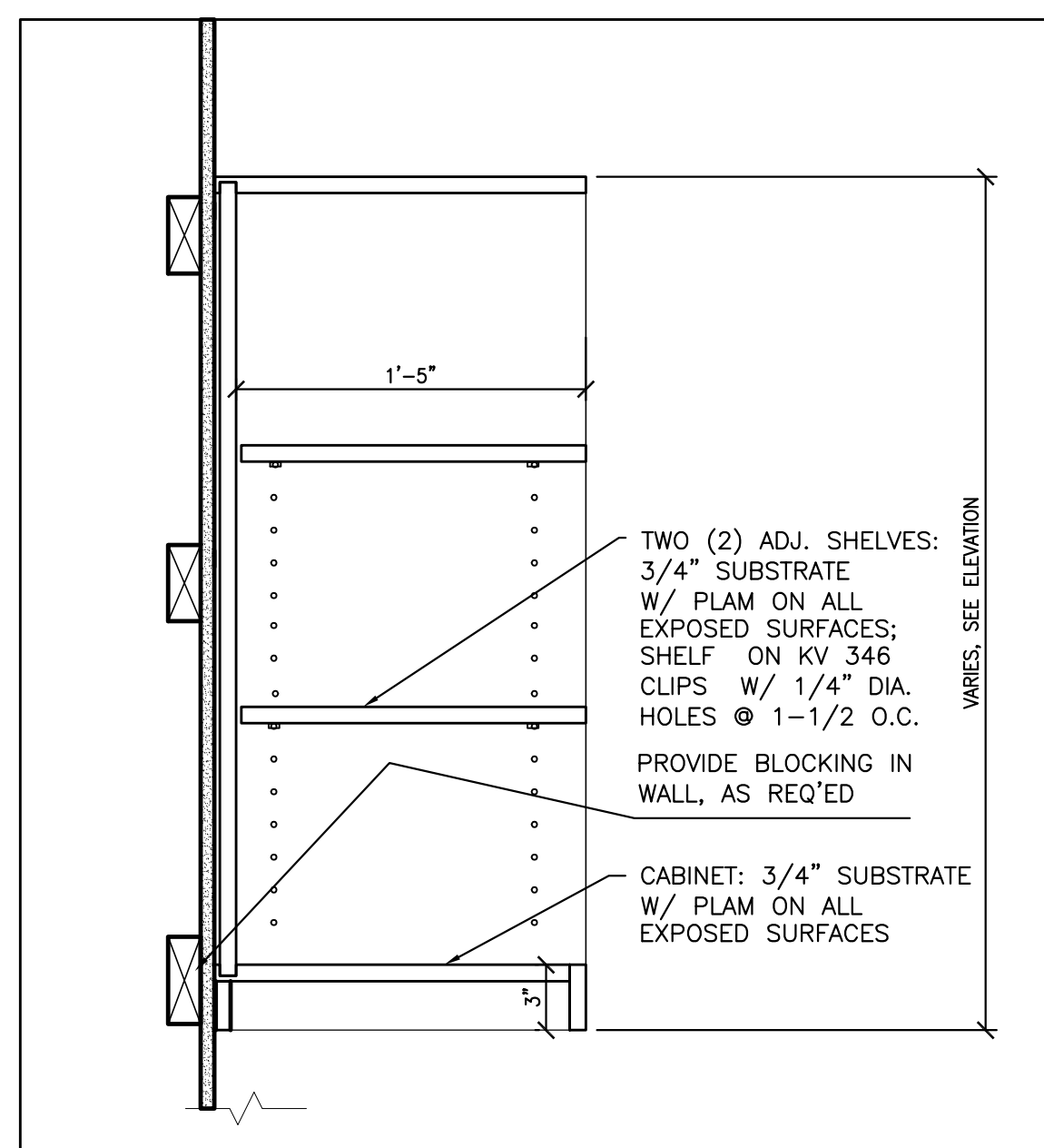
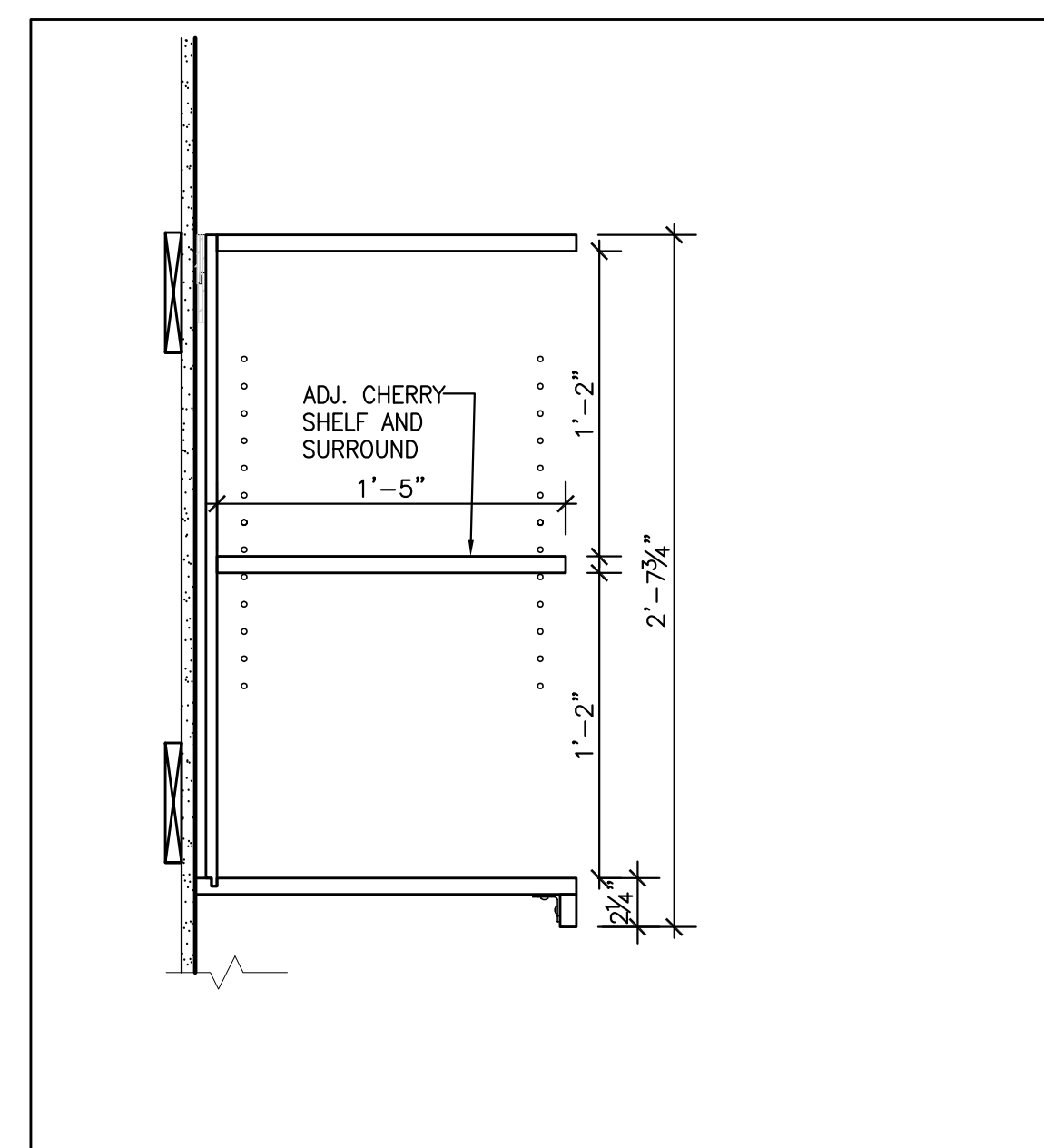


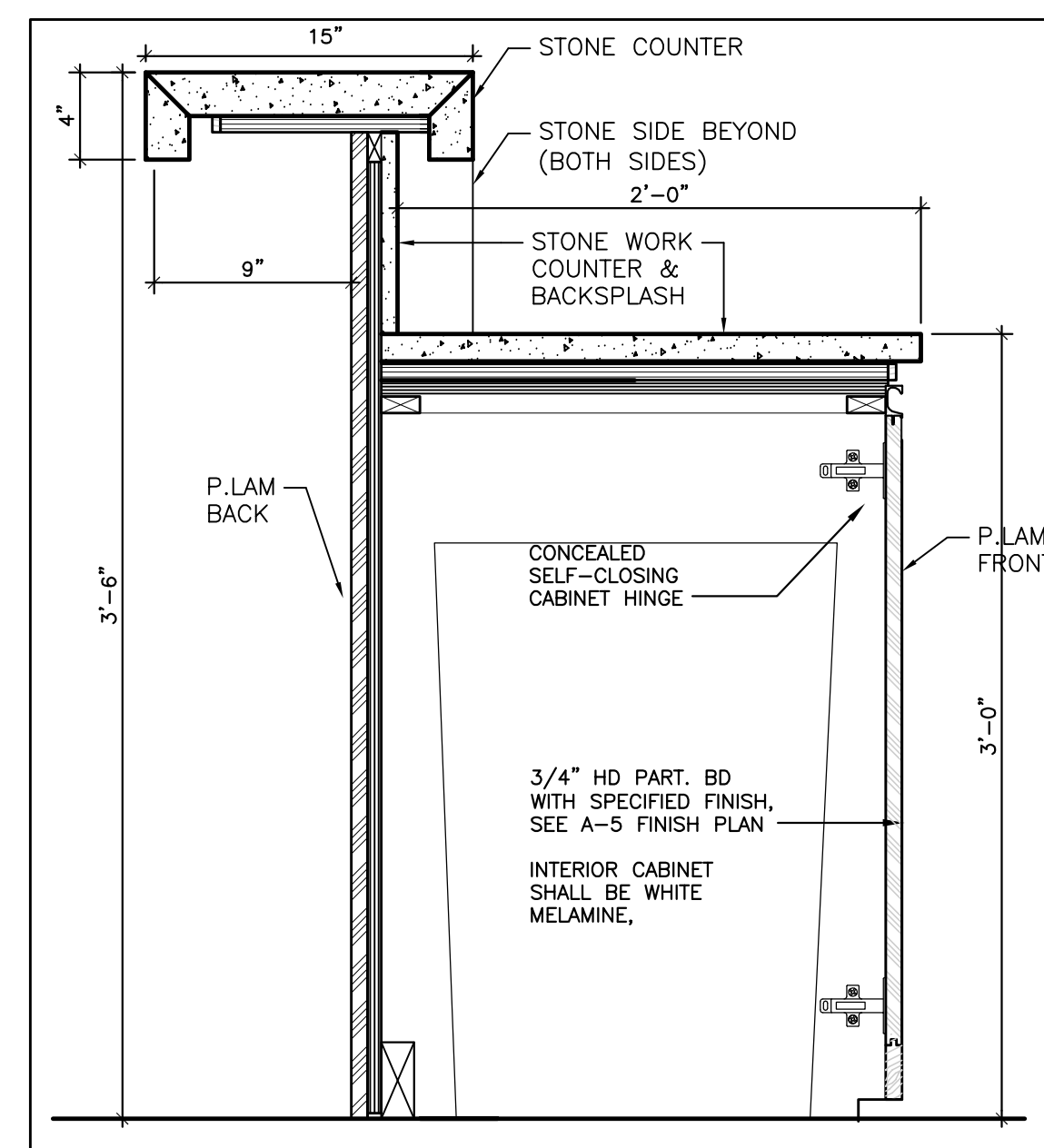
14 CLOSED UPPER CABINET 1 1/2" = 1'-0"



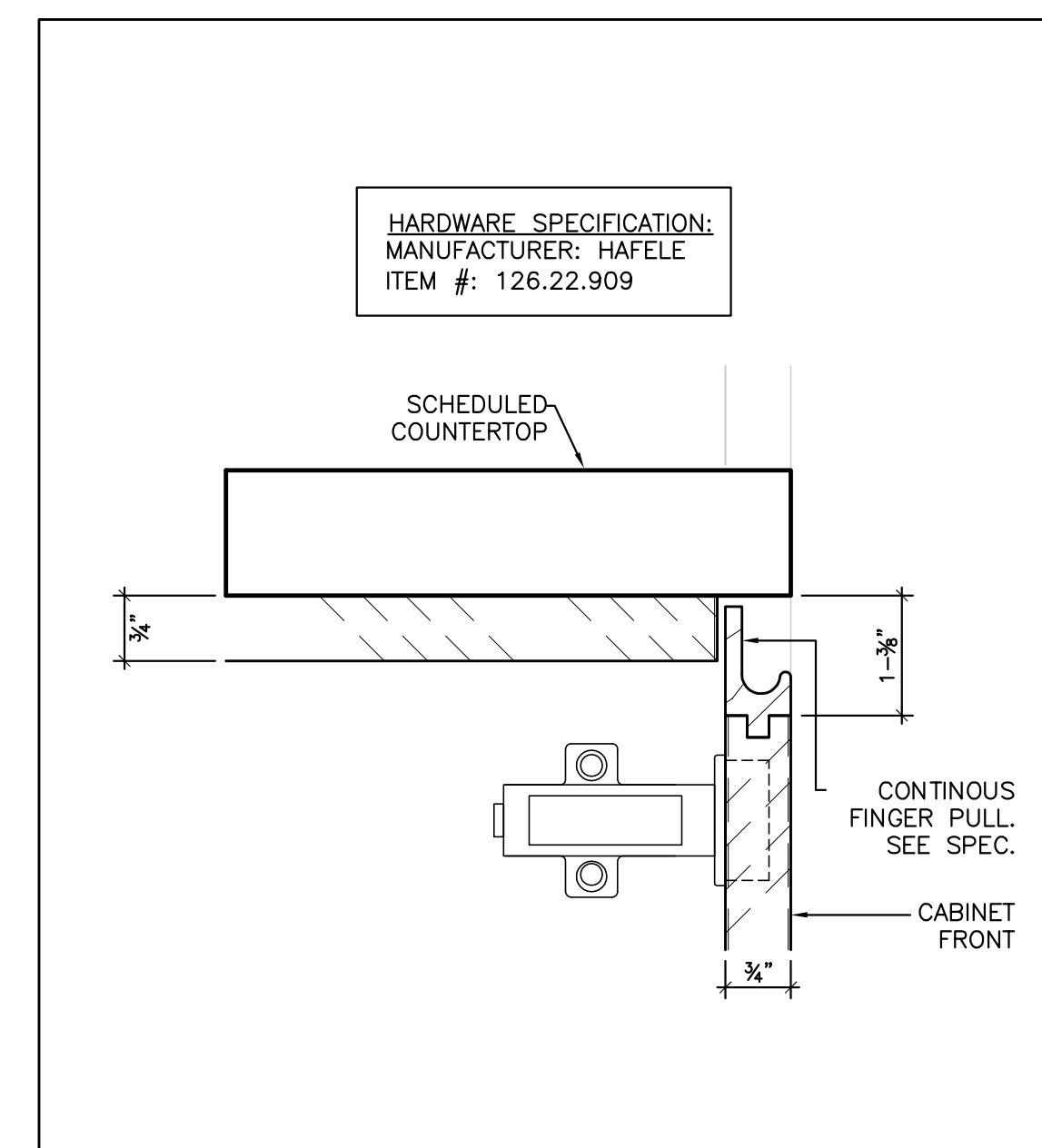
15 OPEN UPPER CABINET 1 1/2" = 1'-0"



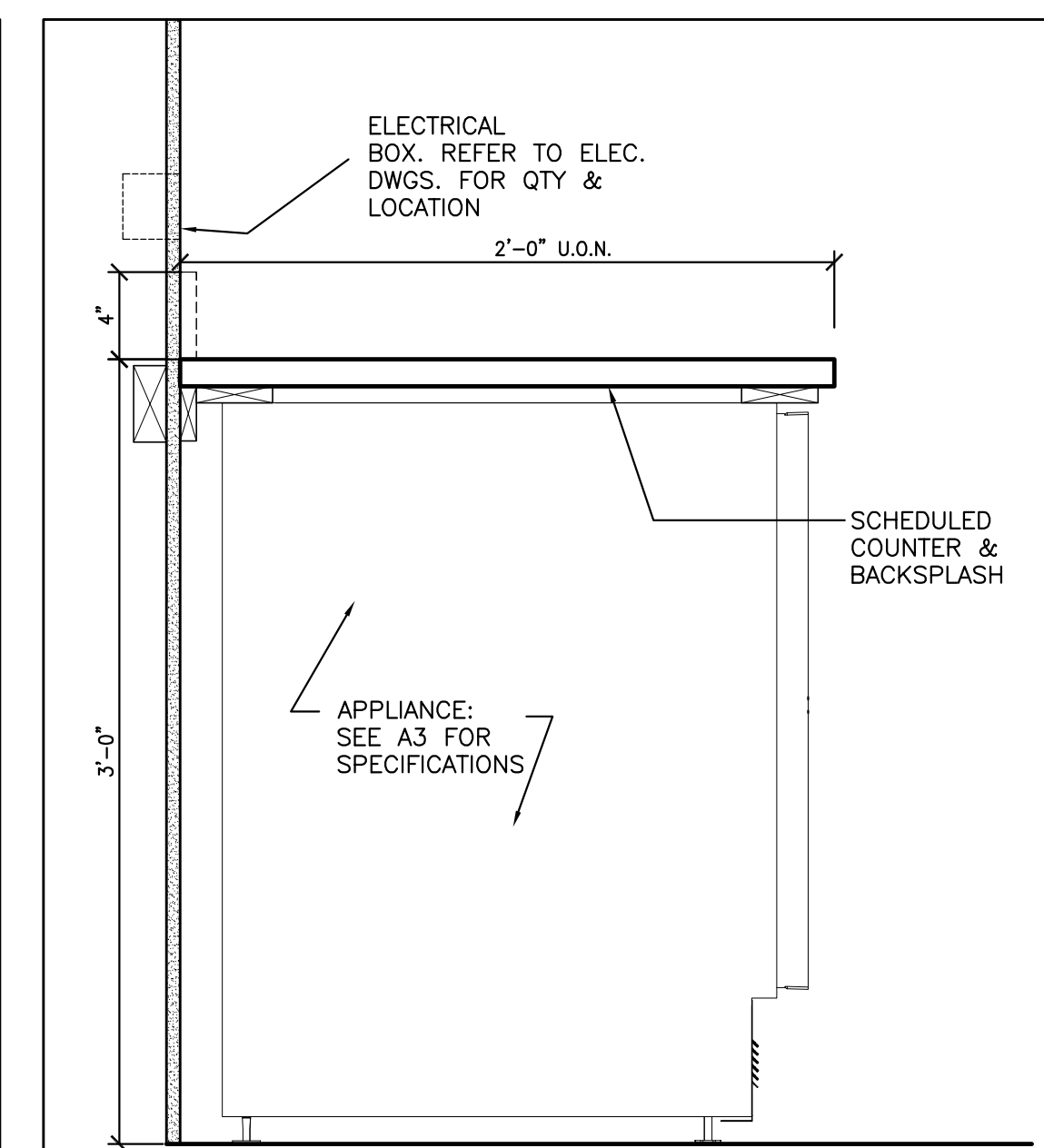
16 OPEN SHELF IN OFFICES 1 1/2" = 1'-0"



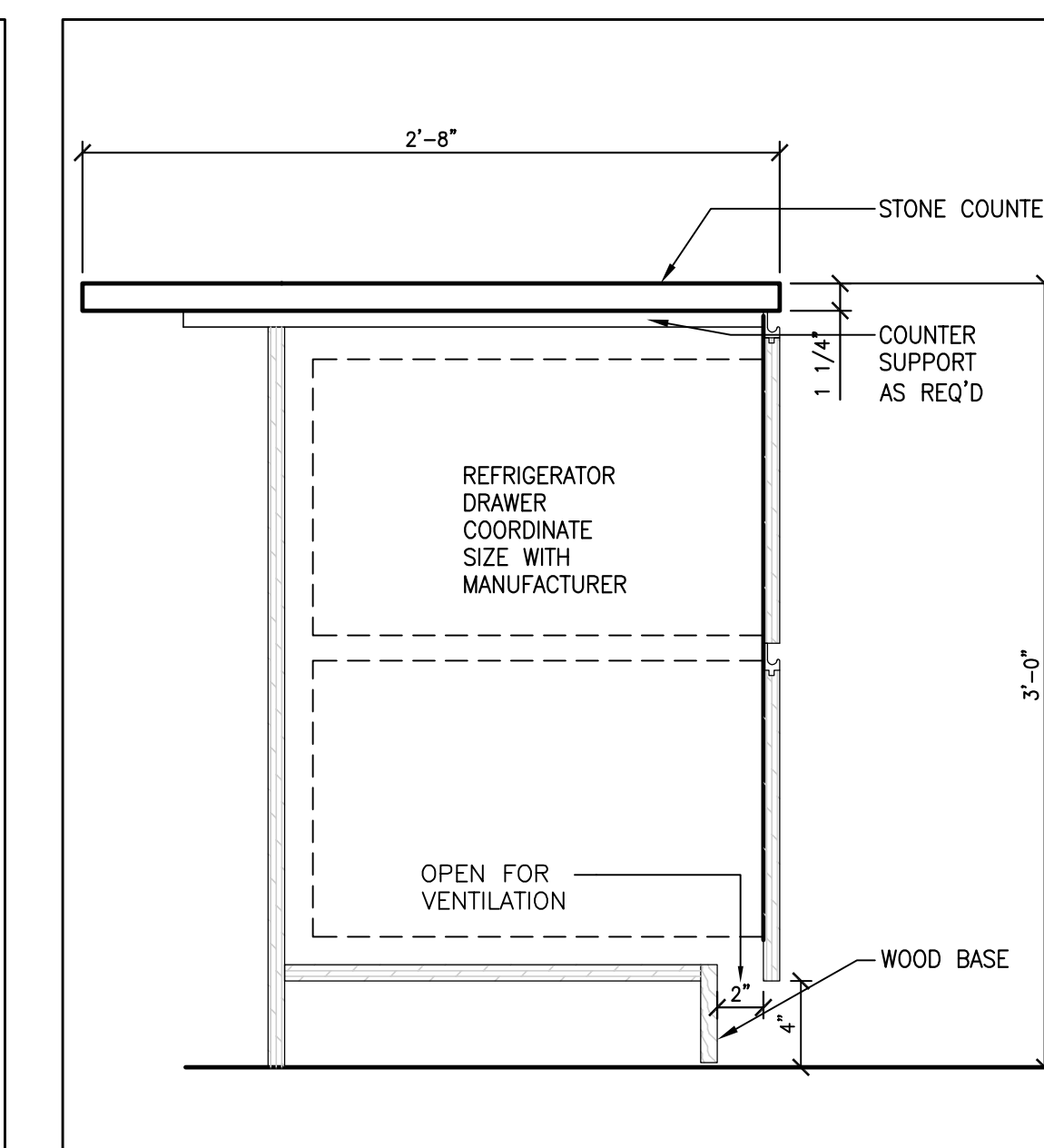
17 LUNCH ROOM ISLAND 1 1/2" = 1'-0"



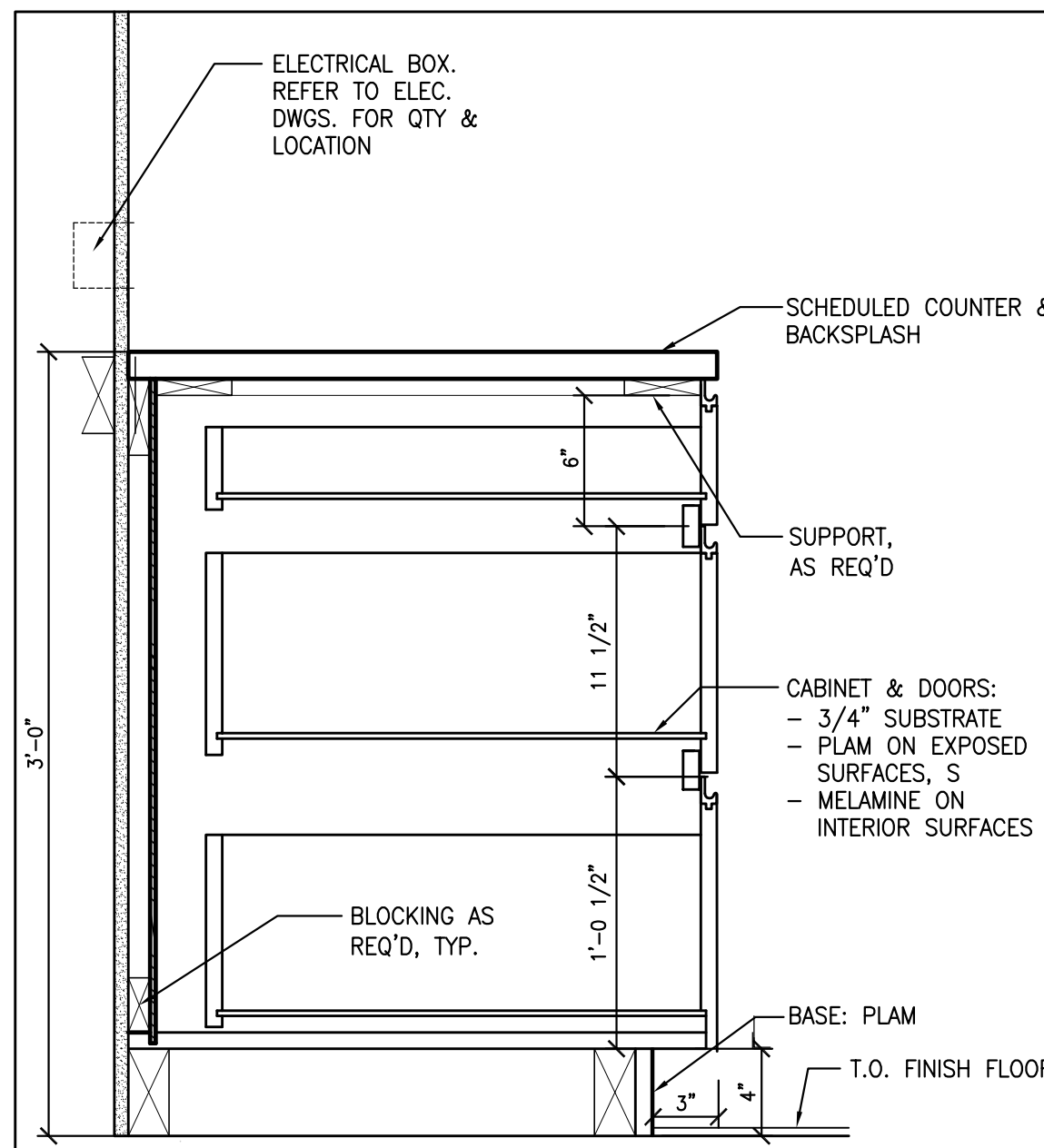
18 FINGER PULL DETAIL 6" = 1'-0"



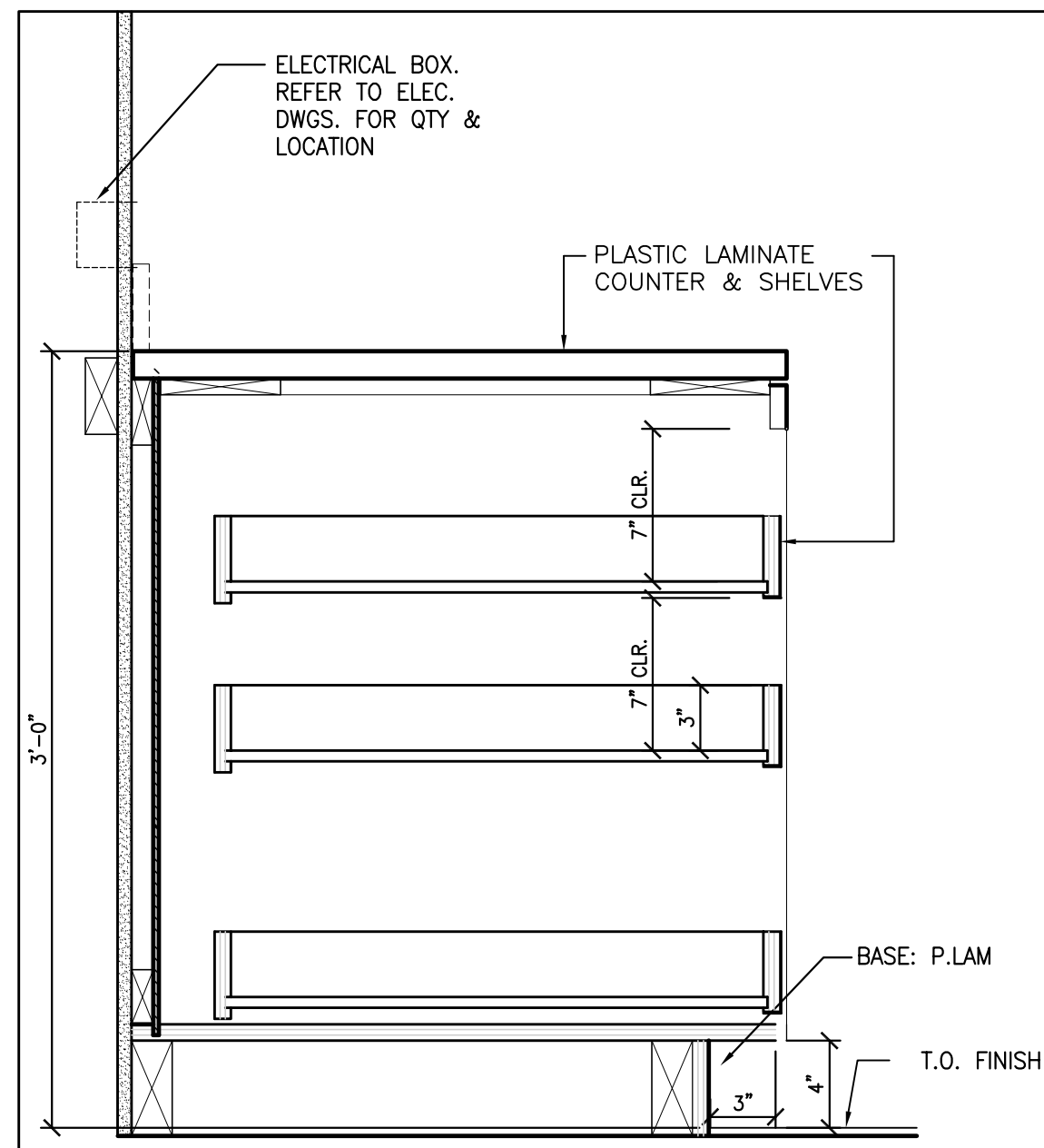
19 APPLIANCE CABINET 1 1/2" = 1'-0"



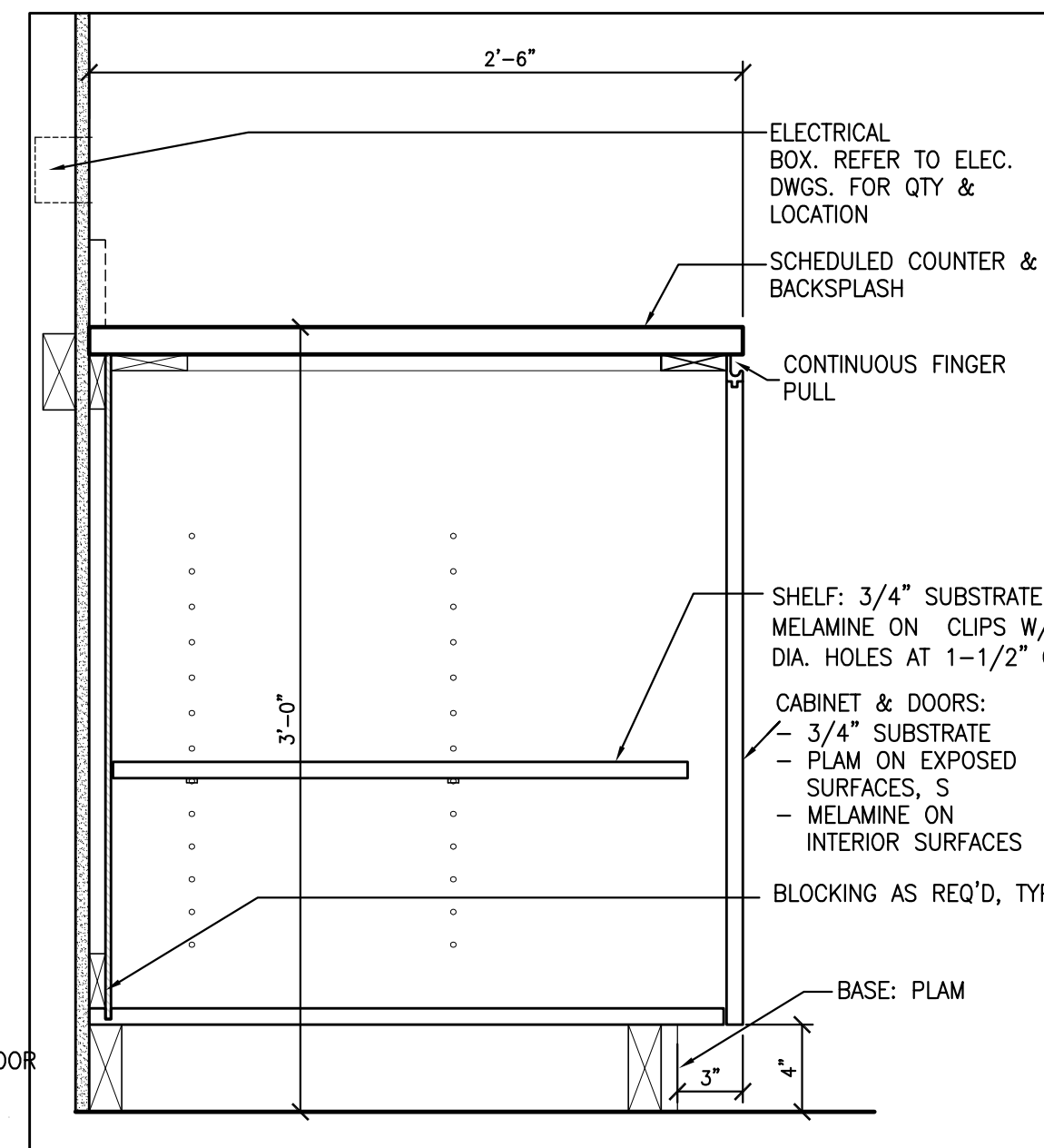
20 CONFERENCE CENTER ISLAND 1/2" = 1'-0"



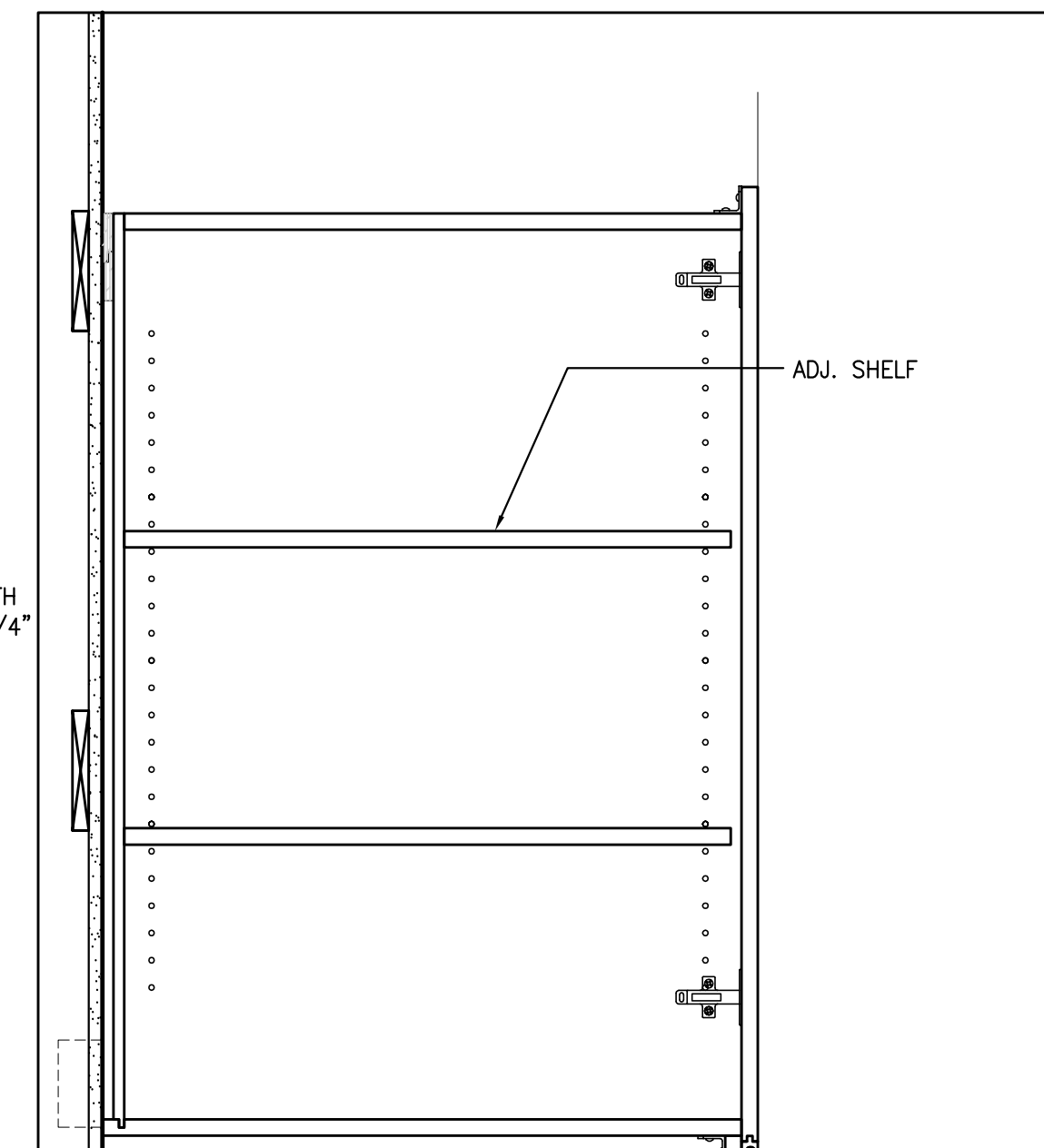
21 DRAWER CABINET 1 1/2" = 1'-0"



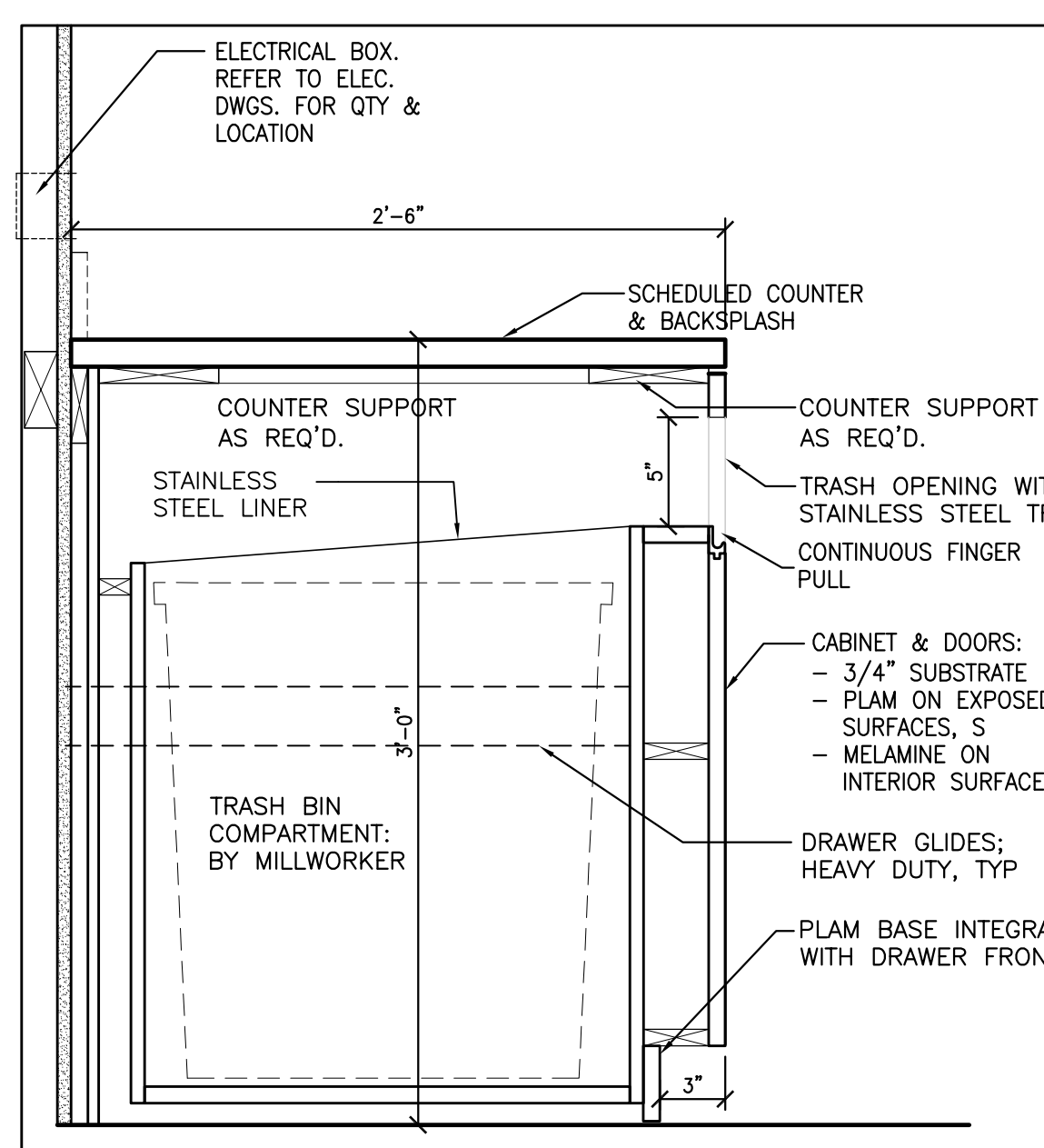
22 PULL OUT SHELF AT COPY 1 1/2" = 1'-0"



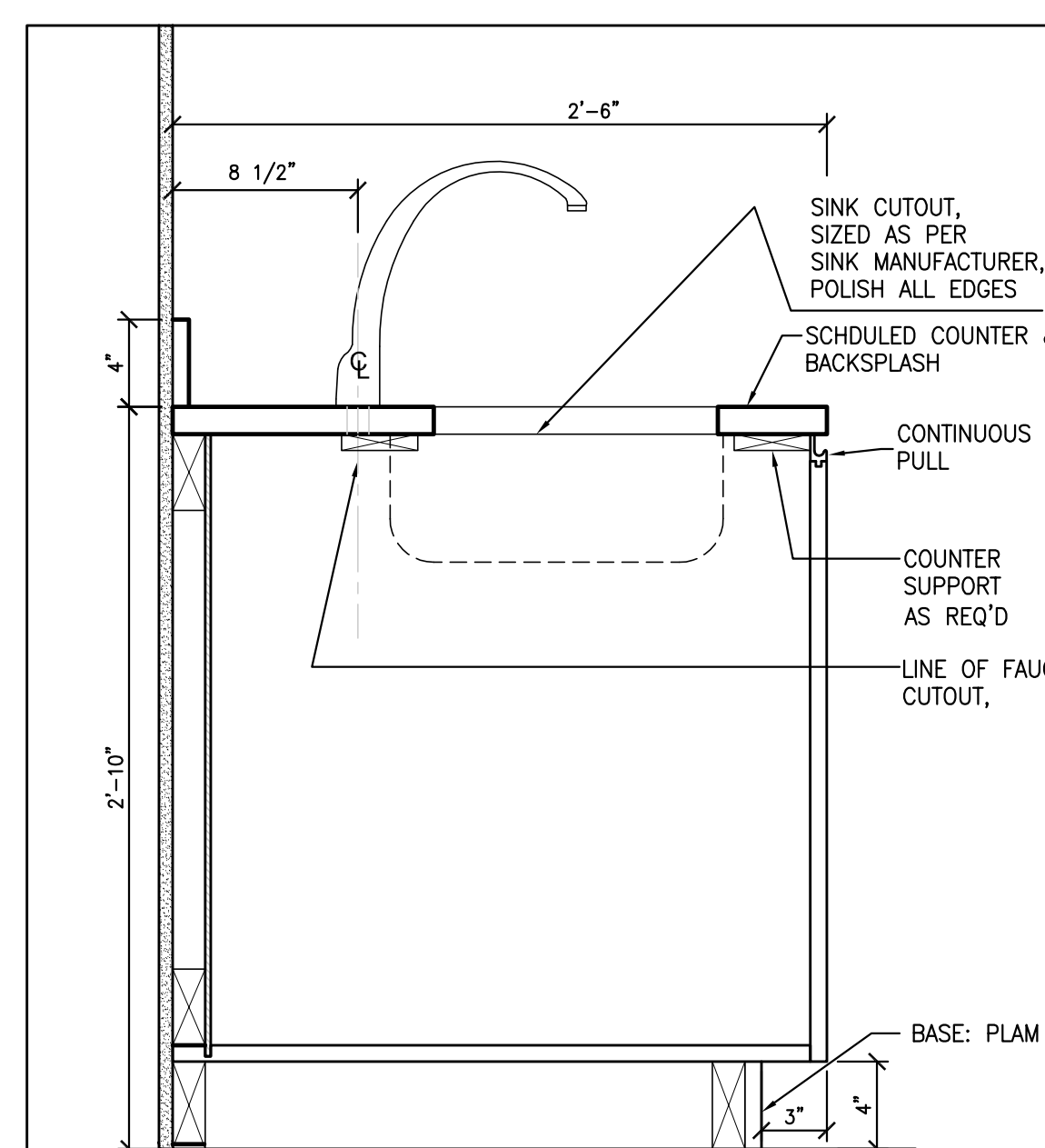
23 TYP BASE CABINET 1 1/2" = 1'-0"



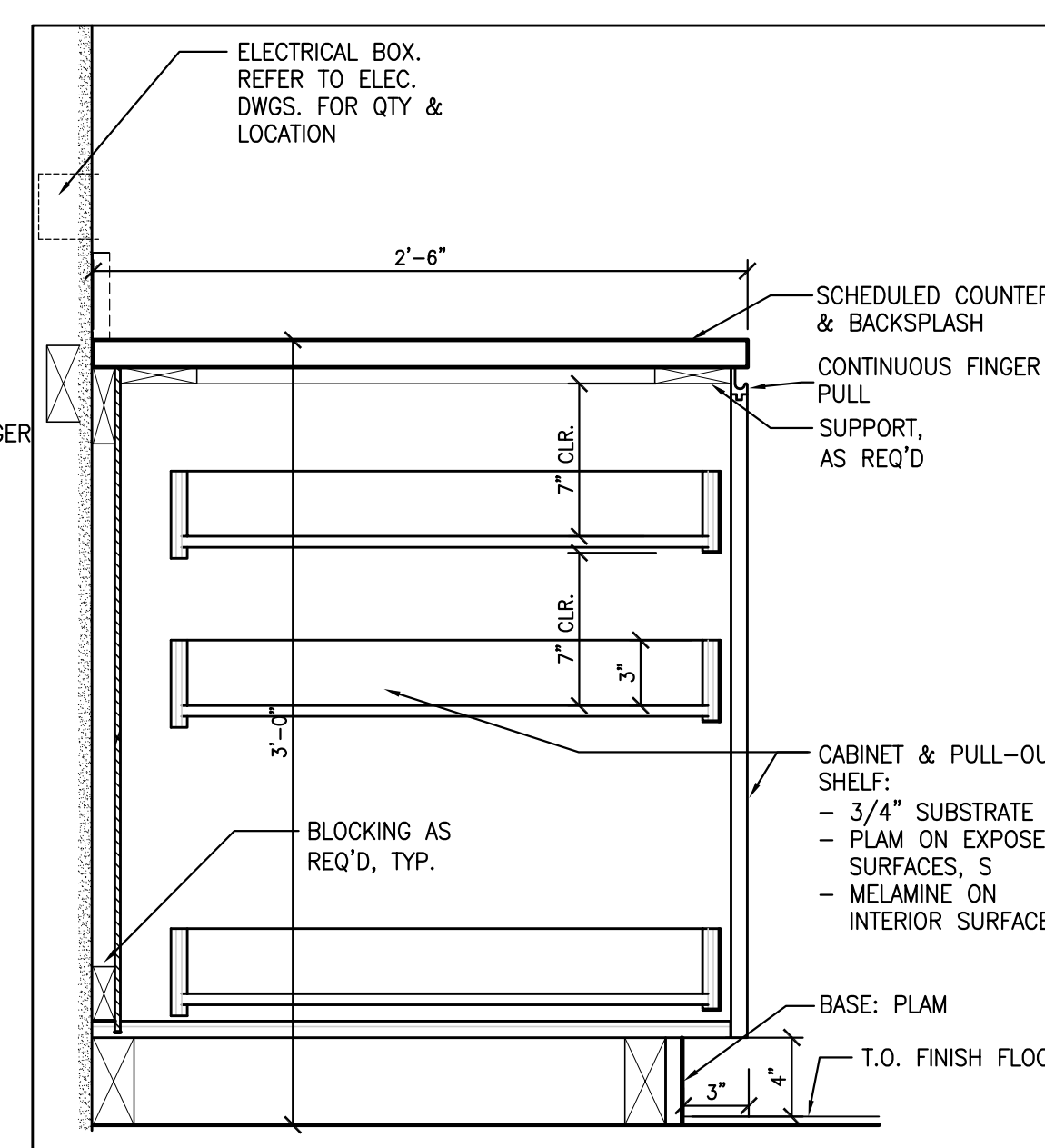
27 LOUNGE BIN CABINET 1 1/2" = 1'-0"



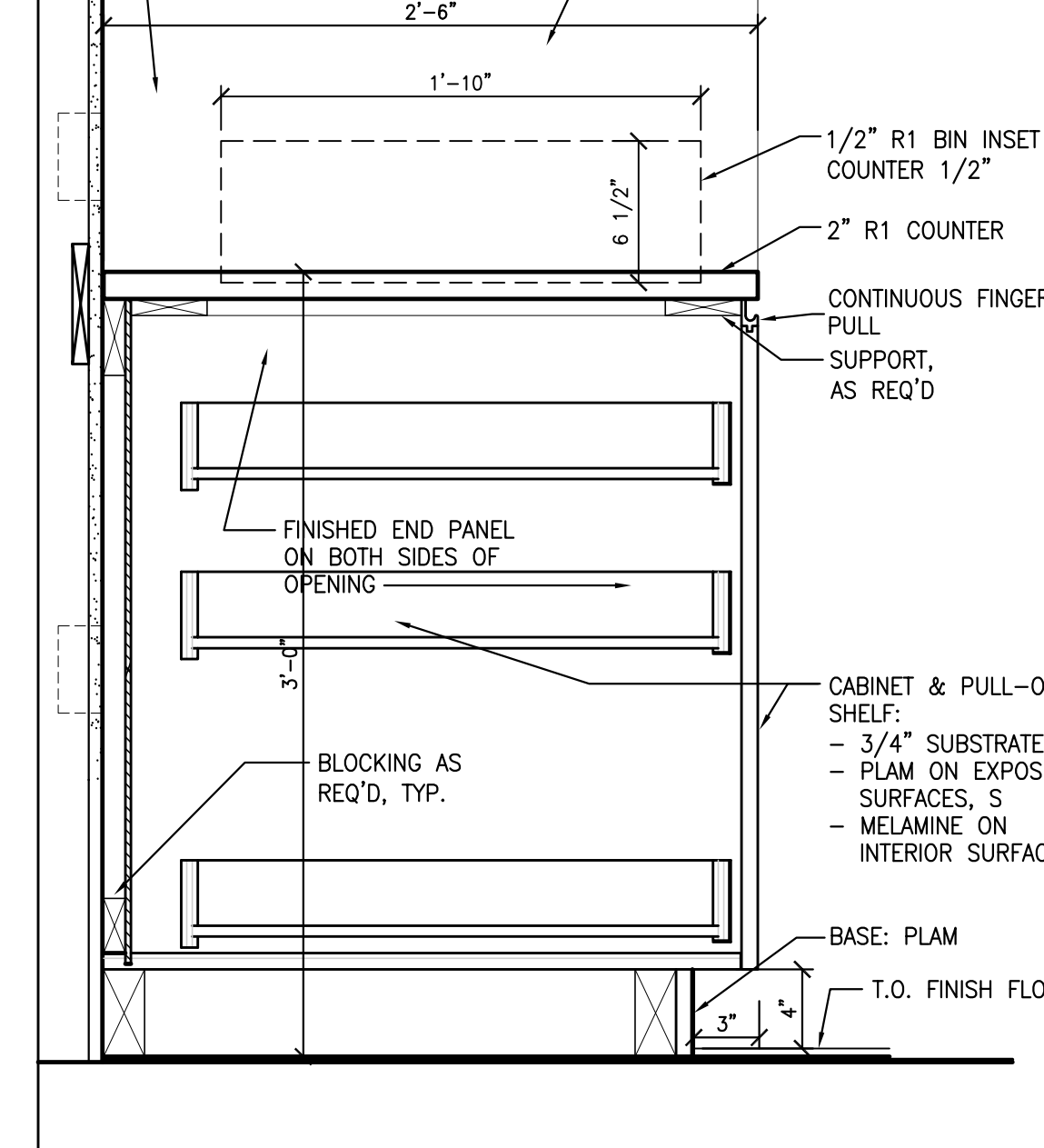
24 TRASH/RECYCLE CABINET 1 1/2" = 1'-0"



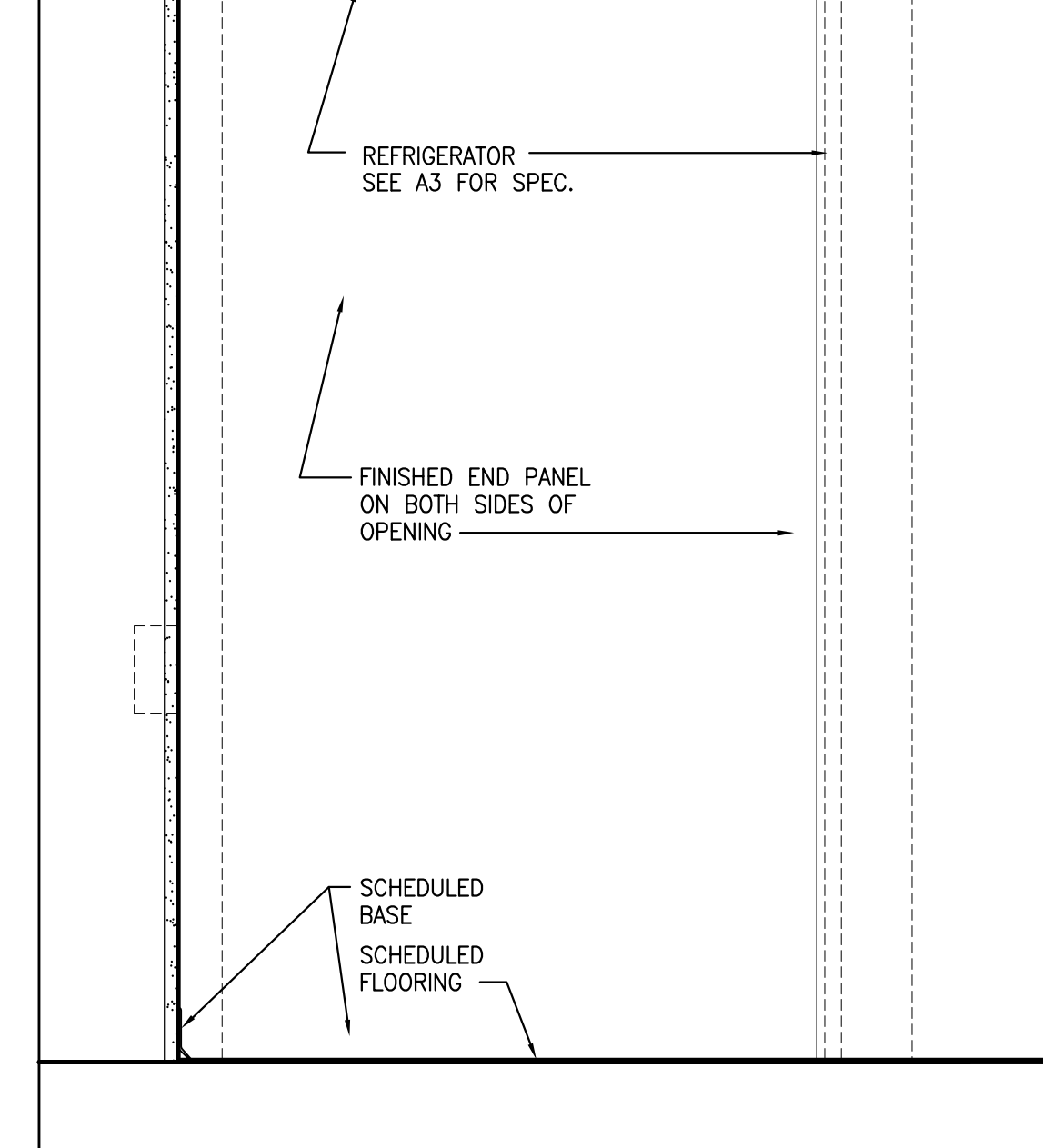
25 SINK CABINET 1 1/2" = 1'-0"



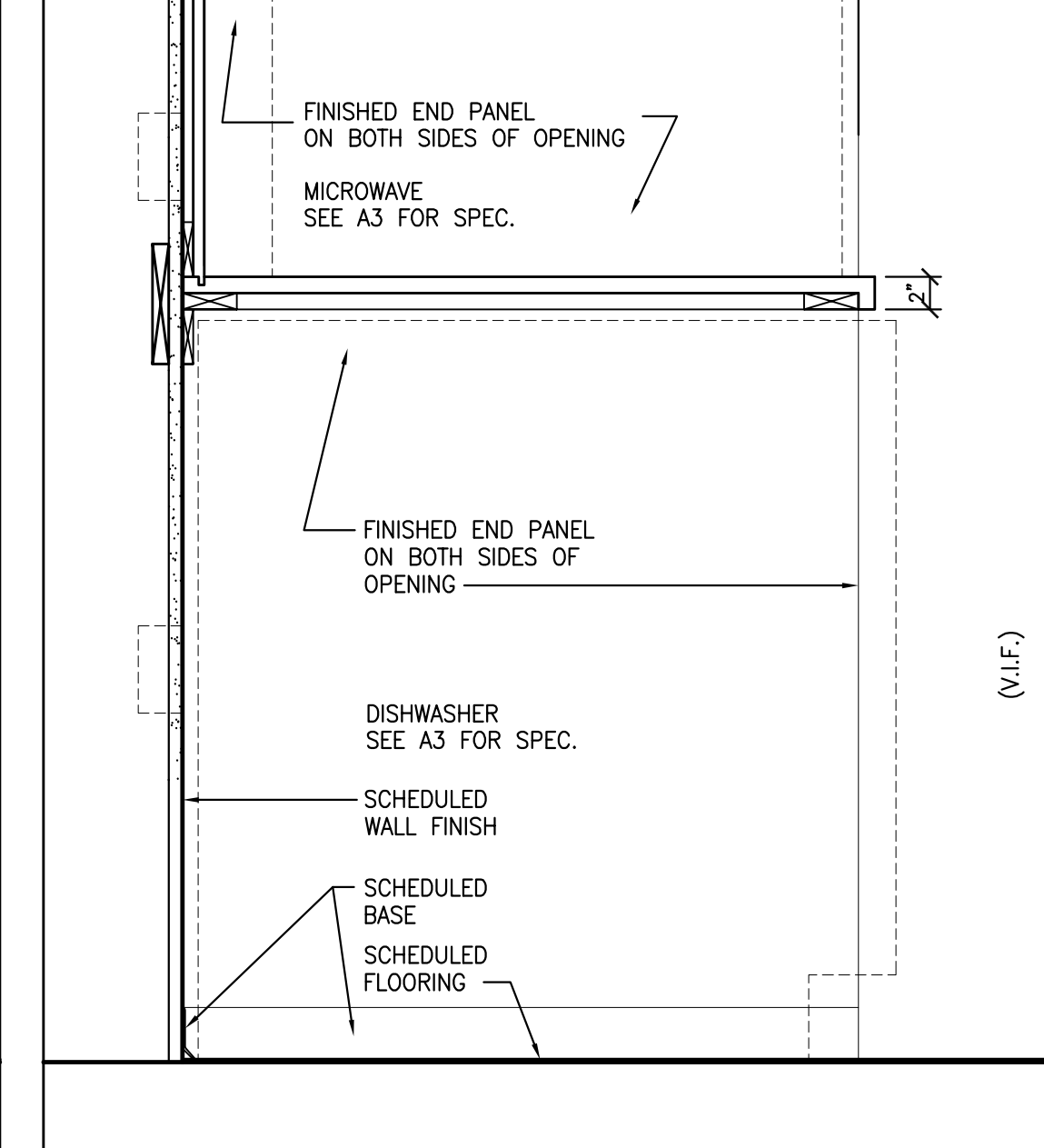
26 PULL OUT DRAWERS 1 1/2" = 1'-0"



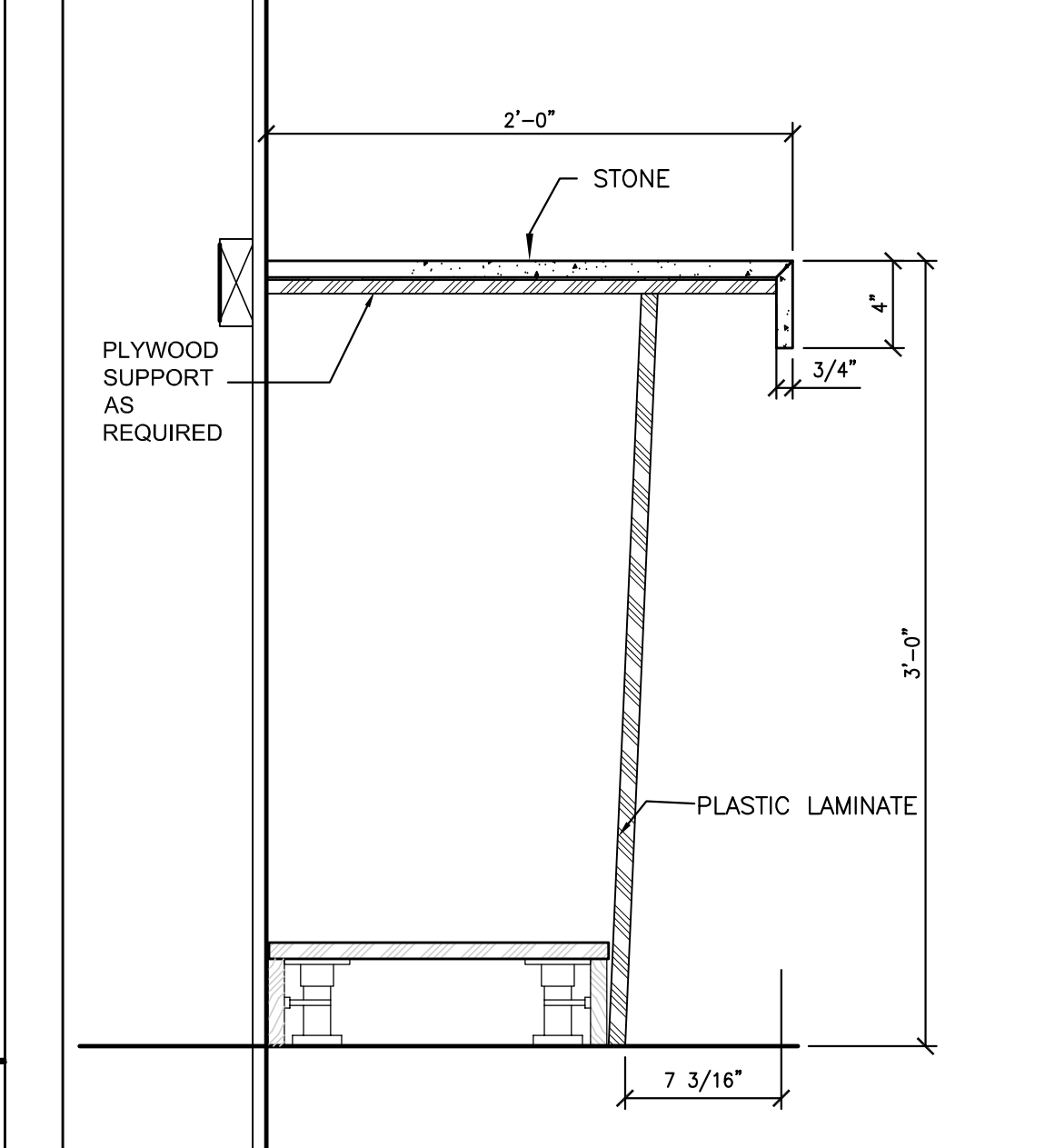
27 LOUNGE BIN CABINET 1 1/2" = 1'-0"



28 APPLIANCE CABINET 1 1/2" = 1'-0"



29 APPLIANCE CABINET 1 1/2" = 1'-0"



30 APPLIANCE CABINET 1 1/2" = 1'-0"

NO.	DATE	REVISION

TITLE	SCALE	AS NOTED	DATE	PROJECT NO.	DATE	CHK	RC
DETAILS	AS NOTED	09.23.10	2010.053	2010.053	09.23.10	DRWN	CHK