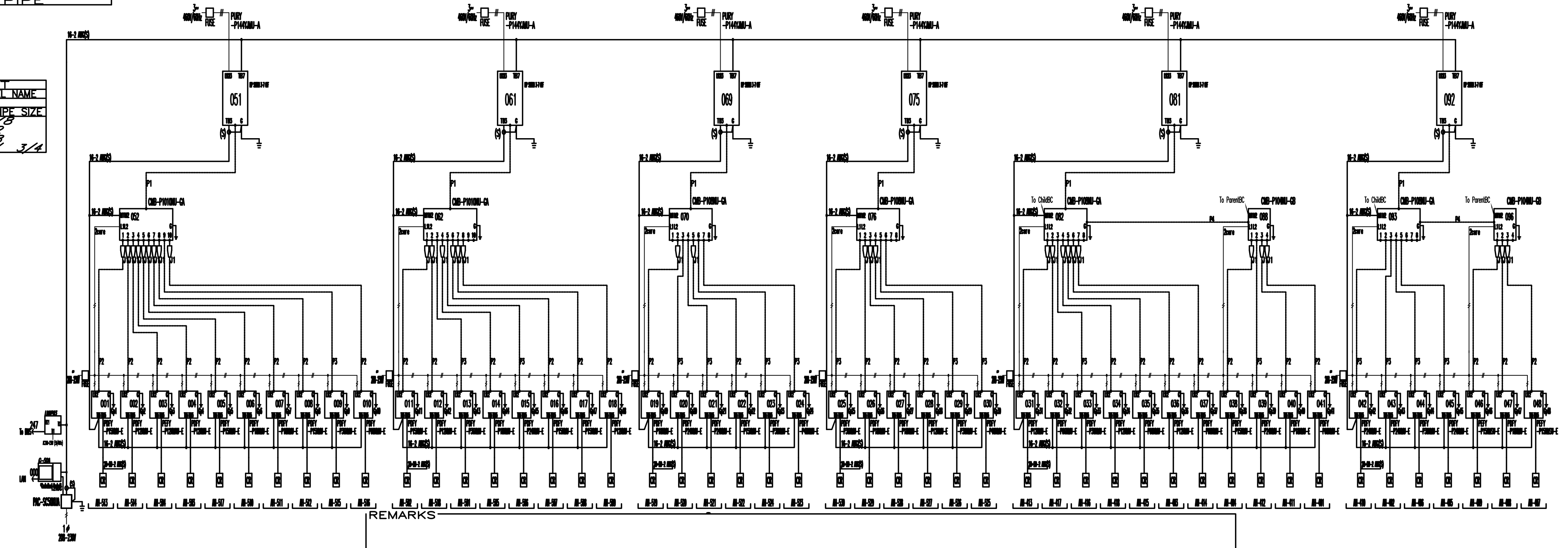


CITY MULTI
 CENTRAL CONTROL 1

Additional refrigerant charge is needed depending on the size and length of extended piping.

PIPING LIST

SYMBOL	BRANCH	PIPE MODEL NAME
1	REFRIGERANT	
2	POWER WIRE	
3	CONTROL WIRE	
4	REF. PIPE	



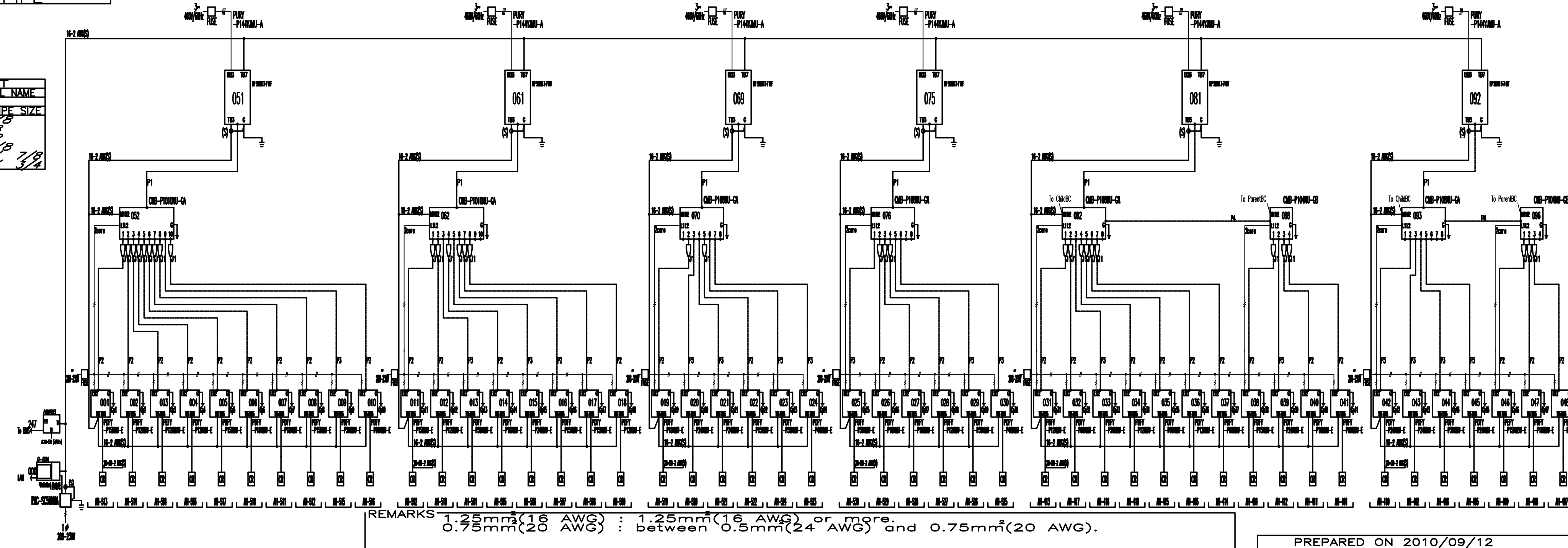
REMARKS

CITY MULTI
 CENTRAL CONTROL 2

Additional refrigerant charge is needed depending on the size and length of extended piping. Please refer the amount of pre-charge and the formula of calculation which is mentioned on the data book.

PIPING LIST

SYMBOL	BRANCH	PIPE MODEL NAME
1	REFRIGERANT	
2	POWER WIRE	
3	CONTROL WIRE	
4	REF. PIPE	



REMARKS 1.25mm²(16 AWG) : 1.25mm²(16 AWG) or more
 0.75mm²(20 AWG) : between 0.5mm²(24 AWG) and 0.75mm²(20 AWG).

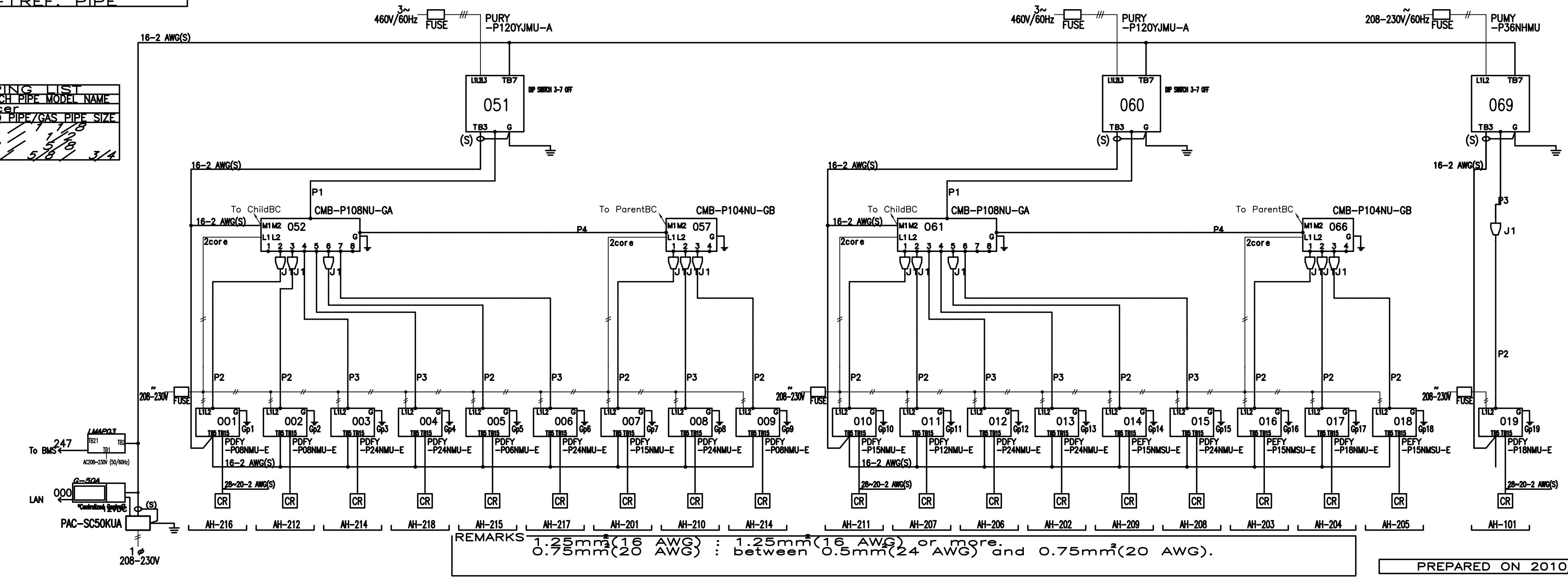
PREPARED ON 2010/09/12

CITY MULTI
 CENTRAL CONTROL 3

Additional refrigerant charge is needed depending on the size and length of extended piping. Please refer the amount of pre-charge and the formula of calculation which is mentioned on the data book.

PIPING LIST

SYMBOL	BRANCH	PIPE MODEL NAME
1	REFRIGERANT	
2	POWER WIRE	
3	CONTROL WIRE	
4	REF. PIPE	

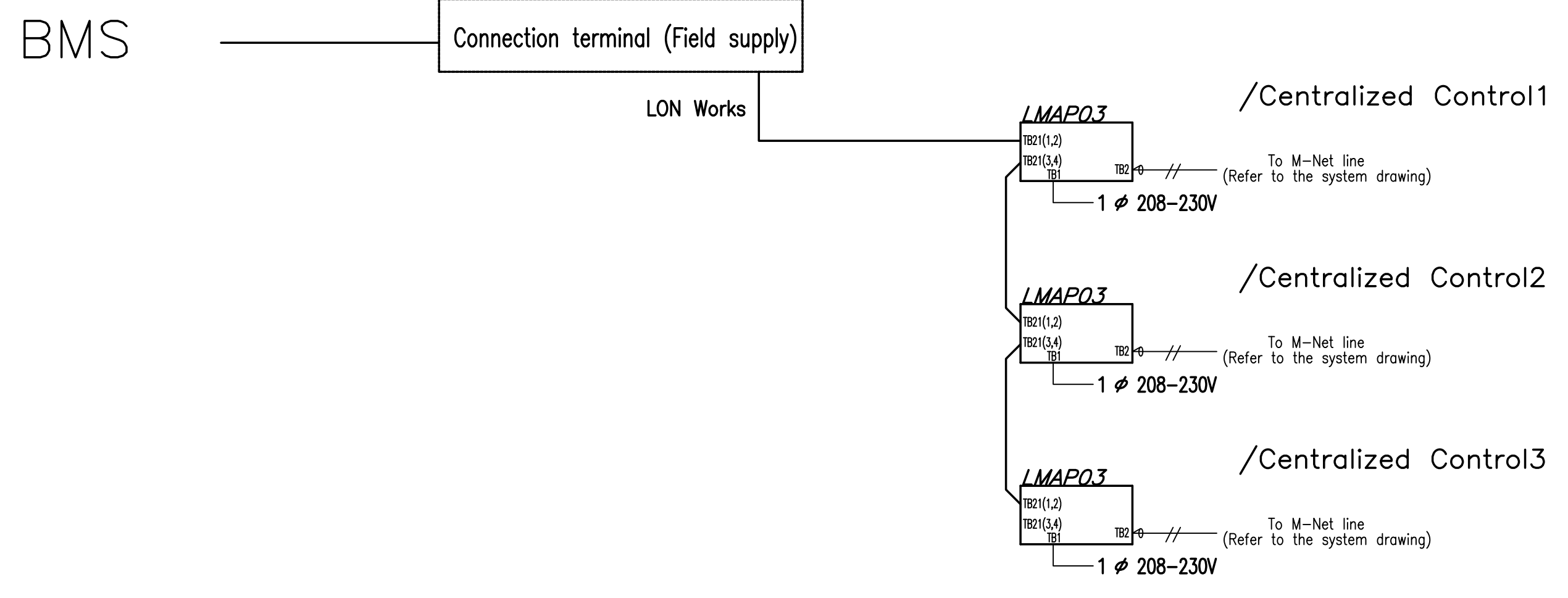


REMARKS 1.25mm²(16 AWG) : 1.25mm²(16 AWG) or more
 0.75mm²(20 AWG) : between 0.5mm²(24 AWG) and 0.75mm²(20 AWG).

PREPARED ON 2010/09/12

CITY MULTI
 CENTRAL CONTROL COMMUNICATION

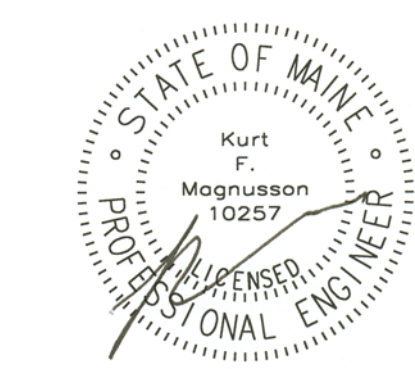
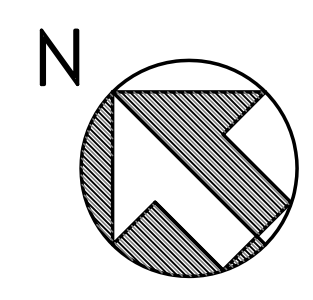
DIAGRAM SYMBOL LEGEND
 DISPLAY DESCRIPTION
 POWER WIRE
 LAN connection



PERMIT SET
 NOT FOR
 CONSTRUCTION

MECHANICAL SYSTEMS ENGINEERS
 ROYAL RIVER CENTER, UNIT #10
 10 FOREST FALLS DRIVE
 YARMOUTH, MAINE 04096
 VOICE: (207) 846-1441
 FAX: (207) 846-1443
 © copyright 2010
 M.S.E. Proj. 1020

September 25, 2010 8:27 AM
 \\Vierges1\Projects\1020 Cumberland Cold Storage\Drawings\1020_M14.dwg



Blais Civil Engineers, PA
 780 Broadway
 South Portland, Maine 04106
 T. 207.767.7300
 sbblaise@blaisce.com

Bartlett Design
 942 Washington Street
 Bath, Maine 04530
 T. 207.443.5447 F. 207.443.5560
 bartdes@blazenetme.net

Mechanical Systems Engineers
 Royal River Center, Unit #10
 10 Forest Falls Drive, Yarmouth, Maine 04096
 T. 207.846.1441 F. 207.846.1443

Carroll Associates Landscape Architects
 217 Commercial Street, Suite 200
 Portland, Maine 04101
 T. 207.772.1552 F. 207.772.0172

Becker Structural Engineers, Inc.
 75 York Street, Portland, Maine 04101
 T. 207.879.1838 F. 207.879.1822
 www.beckerstructural.com

Winton Scott Architects, PA
 5 Milk Street, Portland, Maine 04101
 207.774.4811 www.wintonscott.com

REV.#	DATE	DESCRIPTION

Renovations To:
CUMBERLAND COLD STORAGE BUILDING
 Merrill's Wharf, Portland, Maine

HEAT PUMP
 SYSTEM
 DIAGRAMS

M14