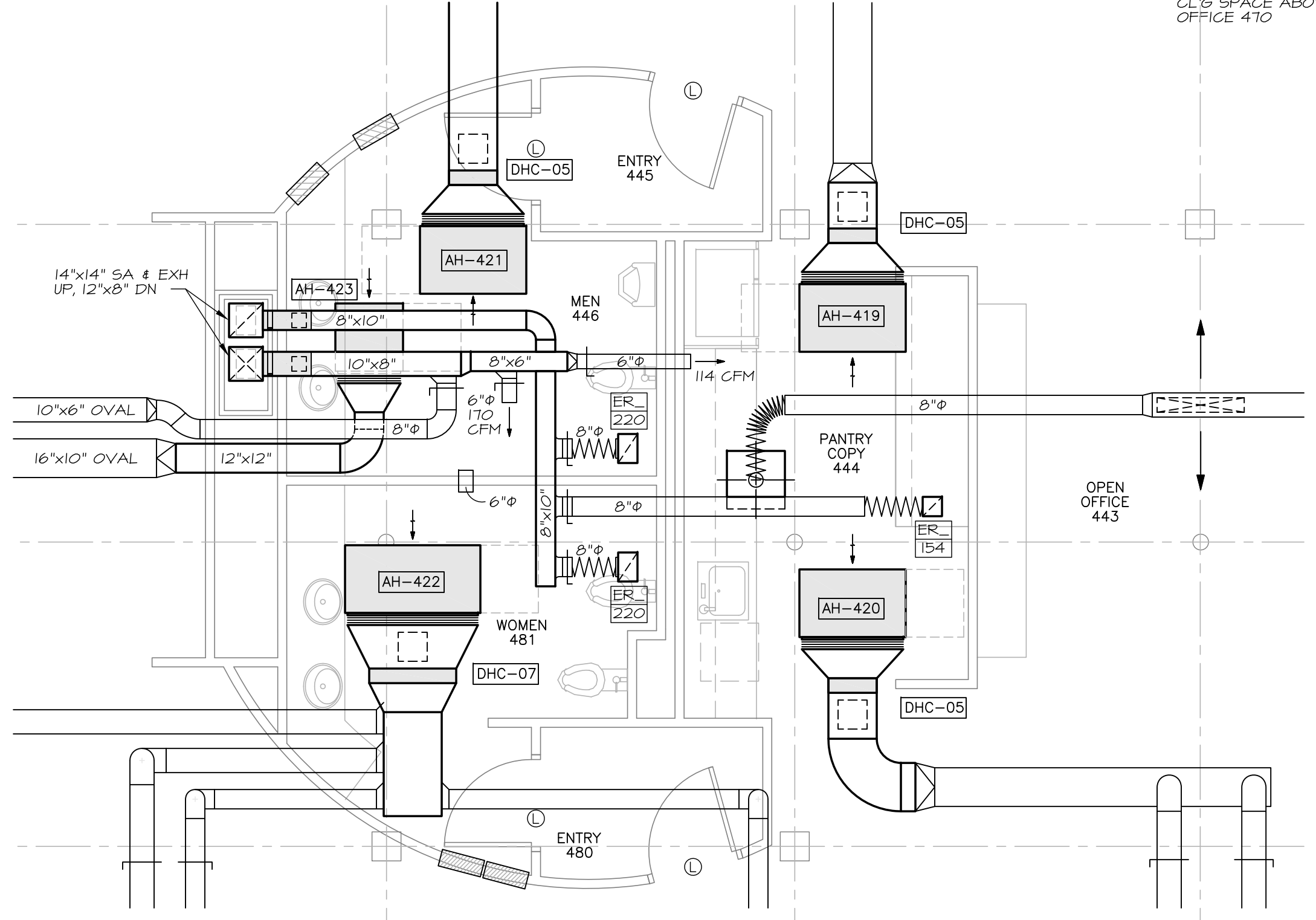
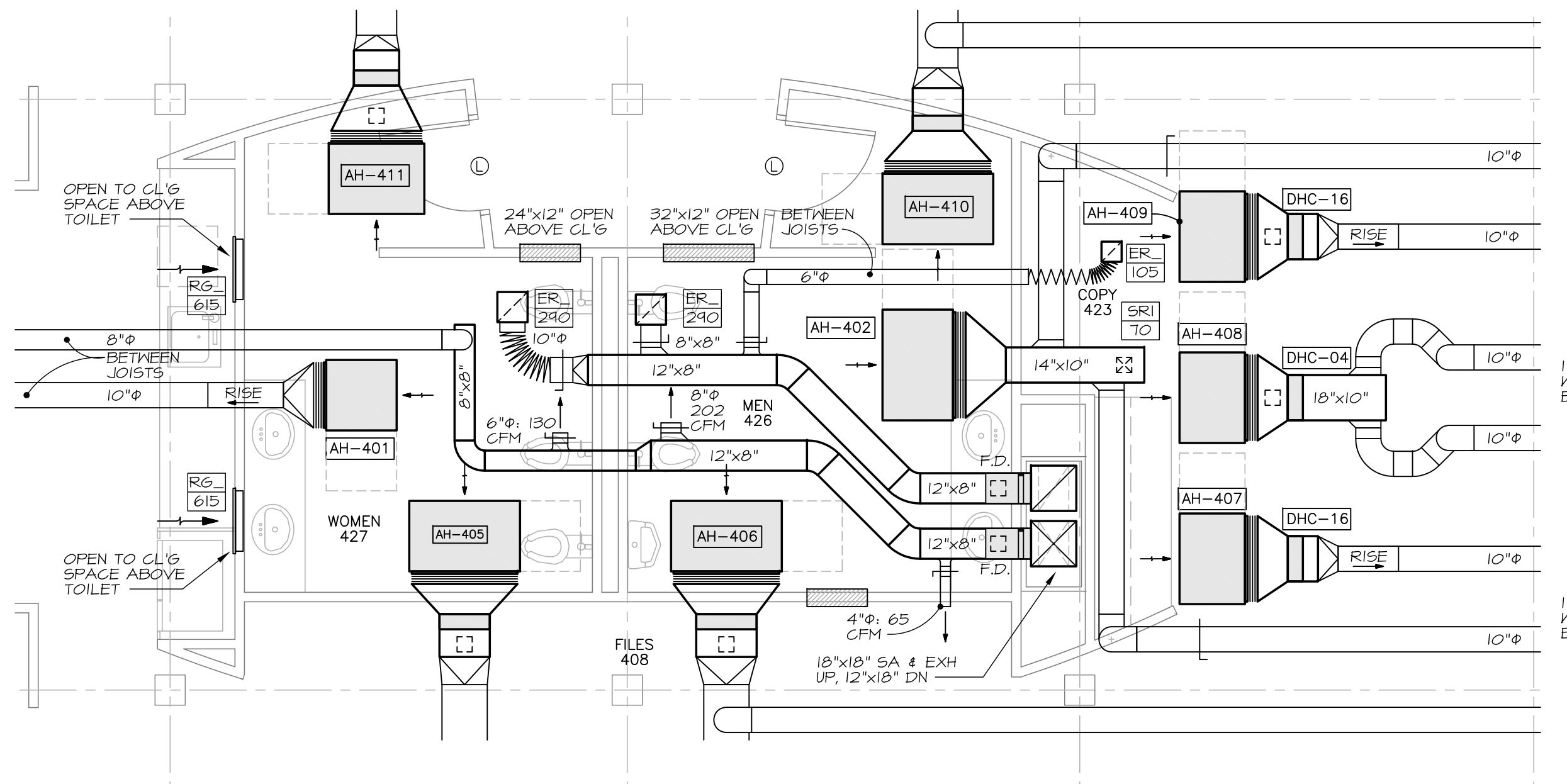


1 4th FLOOR DUCTWORK PLAN
SCALE: 1/8" = 1'-0"



2 ENLARGED PLAN - NORTH TOILETS
SCALE: 1/4" = 1'-0"



3 ENLARGED PLAN - SOUTH TOILETS
SCALE: 1/4" = 1'-0"

4 TYPICAL DUCTWORK BETWEEN FLOOR JOISTS
NO SCALE

5 TYPICAL OFFICE RETURN AIR DETAIL - KEYED ITEM #1
NO SCALE

REFER TO REFLECTED CEILING PLAN A-4.4 FOR EXACT PLACEMENT OF CEILING REGISTERS & DIFFUSERS

LOCATE DUCTWORK AROUND THE OUTSIDE OF TOILET AREAS TO AVOID RECESSED LIGHTING IN GYPSUM CEILINGS

MOUNT THERMOSTATS BESIDE ROOM LIGHT SWITCHES.

TRANSFER DUCT AND GRILLE: SEE DETAIL THIS SHEET.

16"x12" GRILLE ABOVE PAR. ROOM CEILING WITH 12"x8" DUCT AS SHOWN FOR SOUND TRAP.



PERMIT SET
NOT FOR
CONSTRUCTION

MECHANICAL SYSTEMS ENGINEERS
ROYAL RIVER CENTER, UNIT #10
10 FOREST FALLS DRIVE
YARMOUTH, MAINE 04096
VOICE: (207) 848-1441
FAX: (207) 848-1443
© copyright 2018
M.S.E. Proj. 1020

Blais Civil Engineers, PA
780 Broadway
South Portland, Maine 04106
T. 207.767.7300
sblaise@blaisece.com

Bartlett Design
942 Washington Street
Bath, Maine 04530
T. 207.443.5447 F. 207.443.5560
bartdes@blazenetme.net

Mechanical Systems Engineers
Royal River Center, Unit #10
10 Forest Falls Drive, Yarmouth, Maine 04096
T. 207.846.1441 F. 207.846.1443

Carroll Associates Landscape Architects
217 Commercial Street, Suite 200
Portland, Maine 04101
T. 207.772.1552 F. 207.772.0172

Becker Structural Engineers, Inc.
75 York Street, Portland, Maine 04101
T. 207.879.1838 F. 207.879.1822
www.beckerstructural.com

Winton Scott Architects, PA
5 Milk Street, Portland, Maine 04101
207.774.4811 www.wintonscott.com

REV #	DATE	DESCRIPTION

Renovations To:
CUMBERLAND COLD STORAGE BUILDING
Merrill's Wharf, Portland, Maine

4th FLOOR
MECHANICAL
DUCTWORK
M4
9.23.2010

September 25, 2018 09:47 AM C:\Users\j\OneDrive\Projects\1020_Cumberland Cold Storage\Drawings\1020_M1-M4.dwg