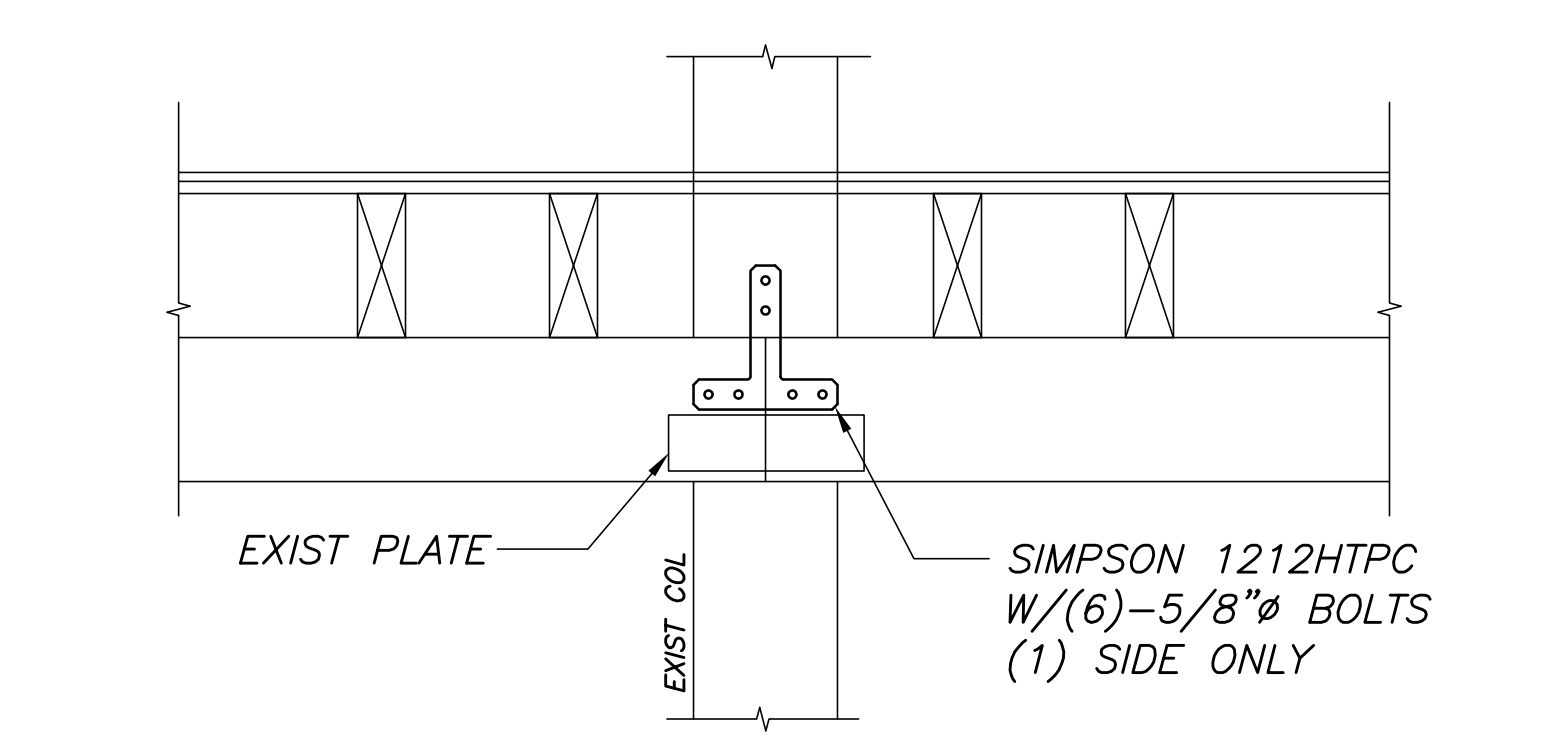
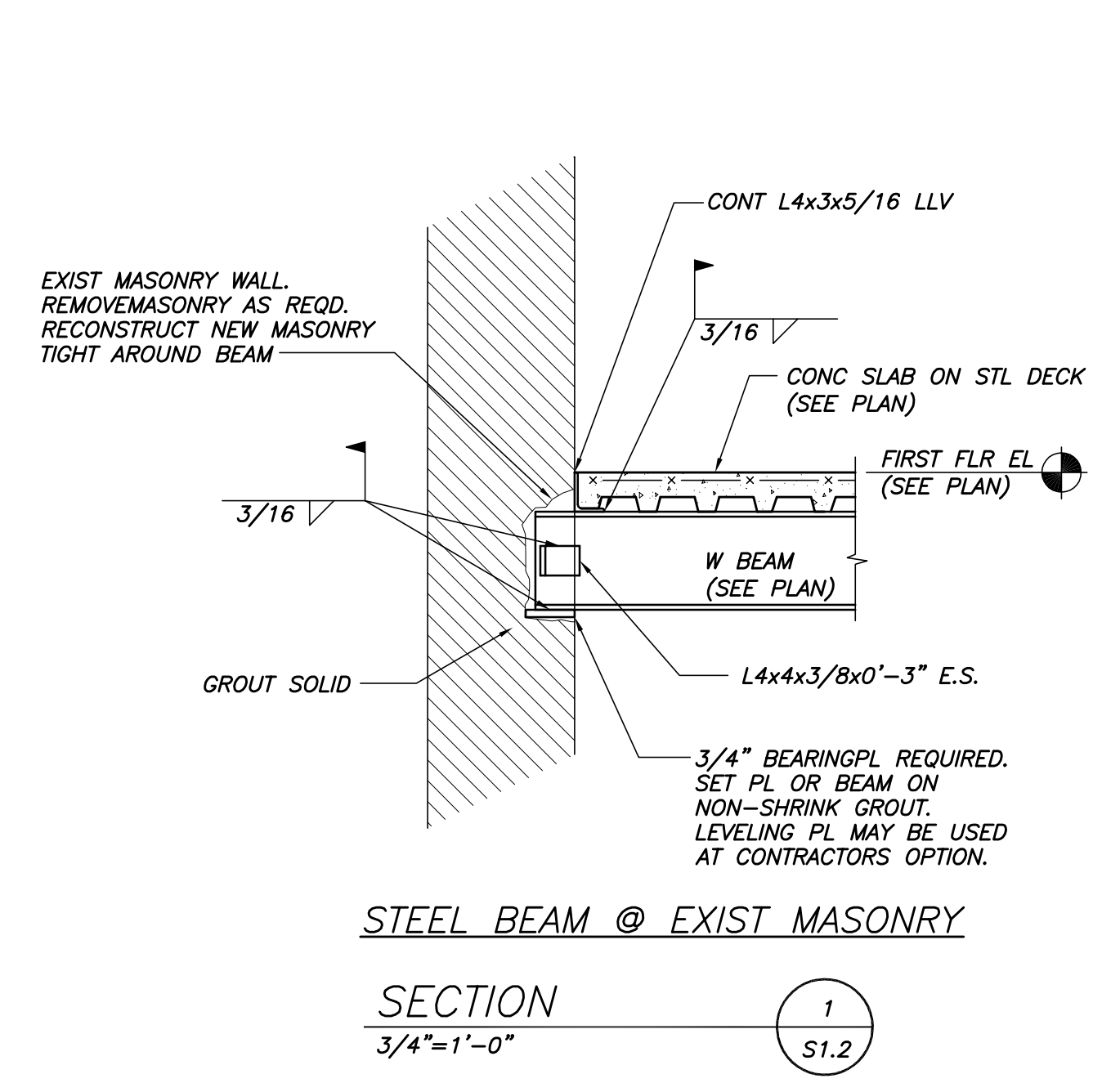


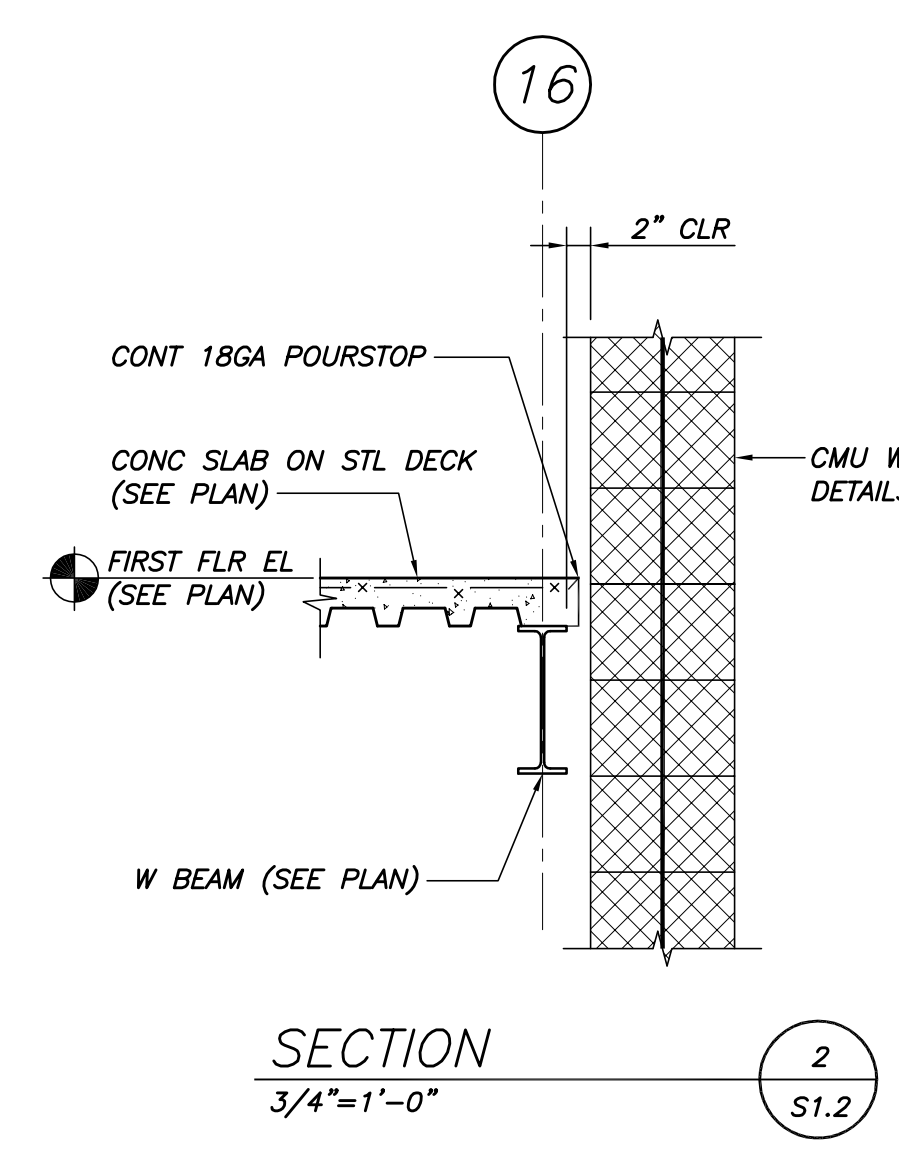
TYP COLUMN SPLICE DETAIL
N.T.S.
SEE PLAN FOR LOCATION (TYP 6 REQ'D)



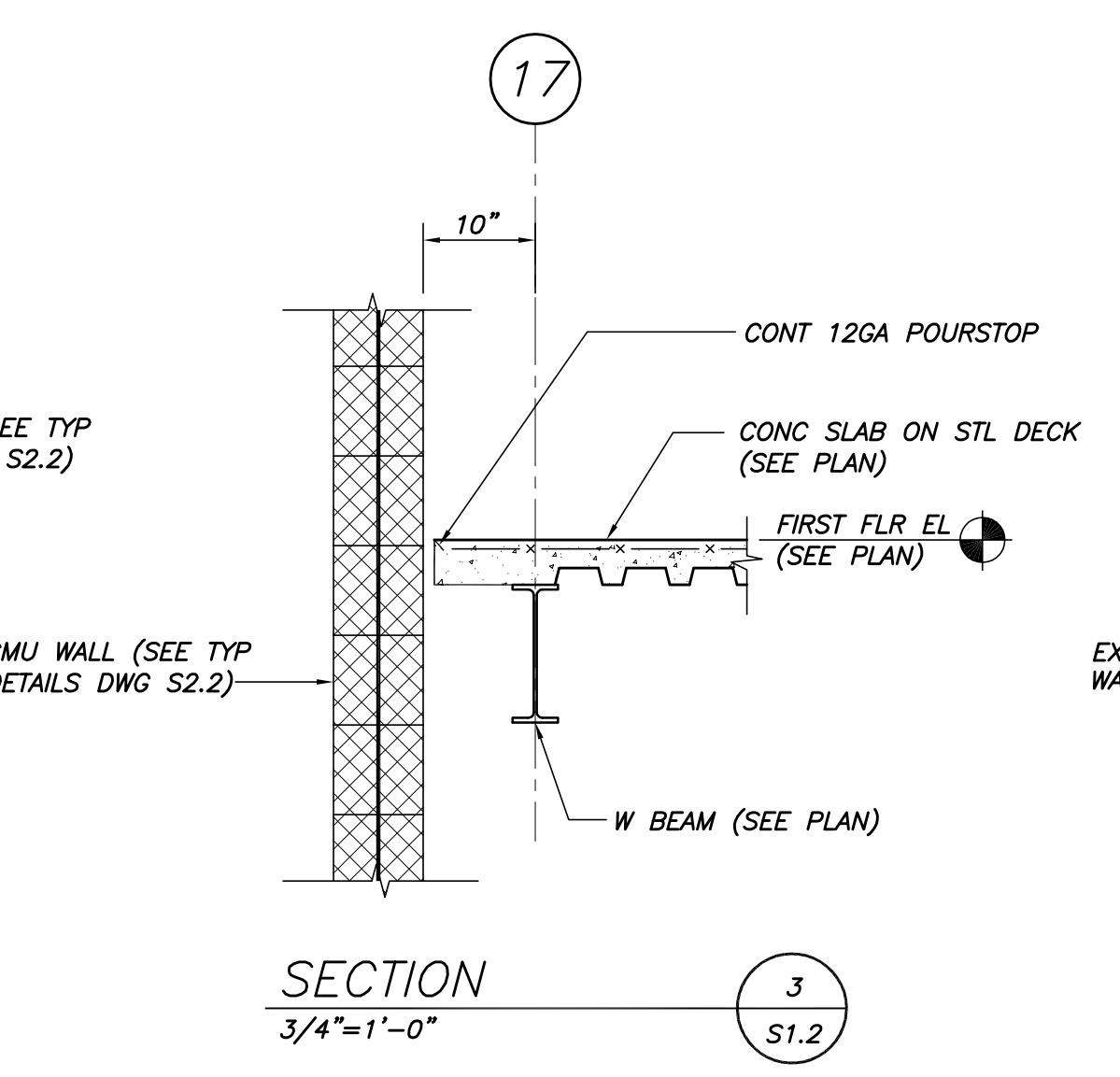
TYPICAL COL TO BEAM CONN DETAIL AT FIFTH FLOOR
3/4"=1'-0"



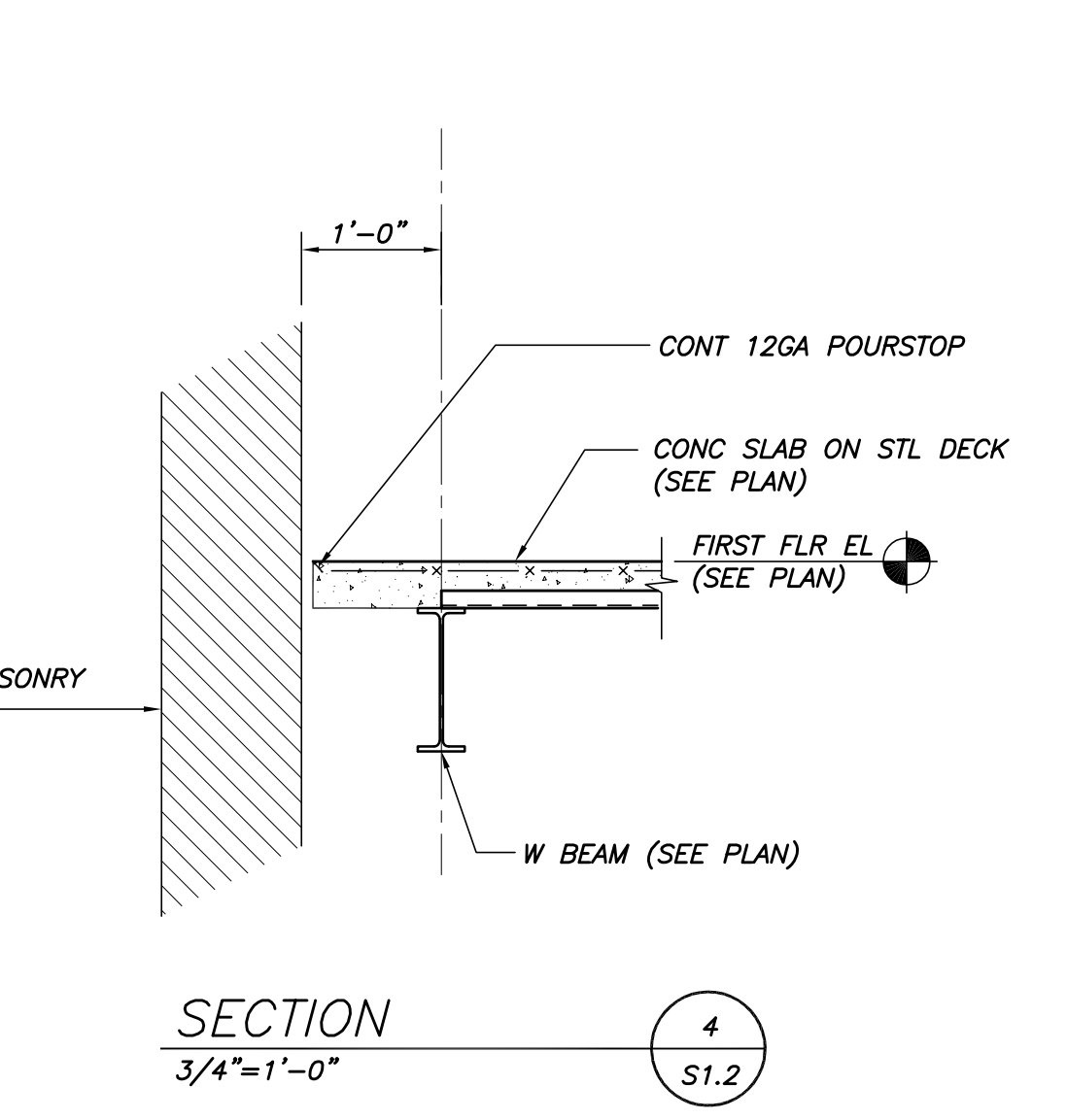
STEEL BEAM @ EXIST MASONRY
SECTION 1
3/4"=1'-0" S1.2



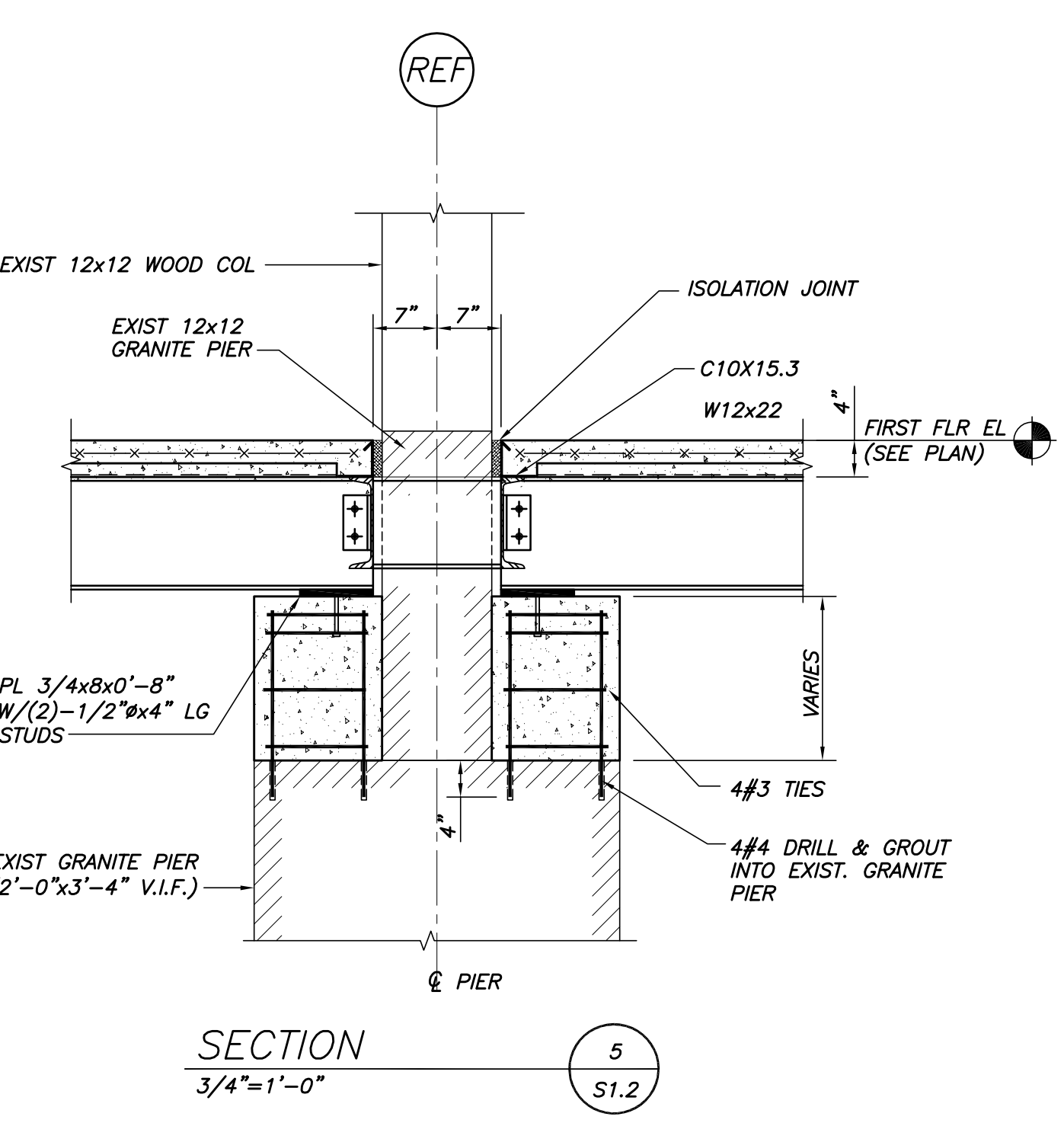
SECTION 2
3/4"=1'-0" S1.2



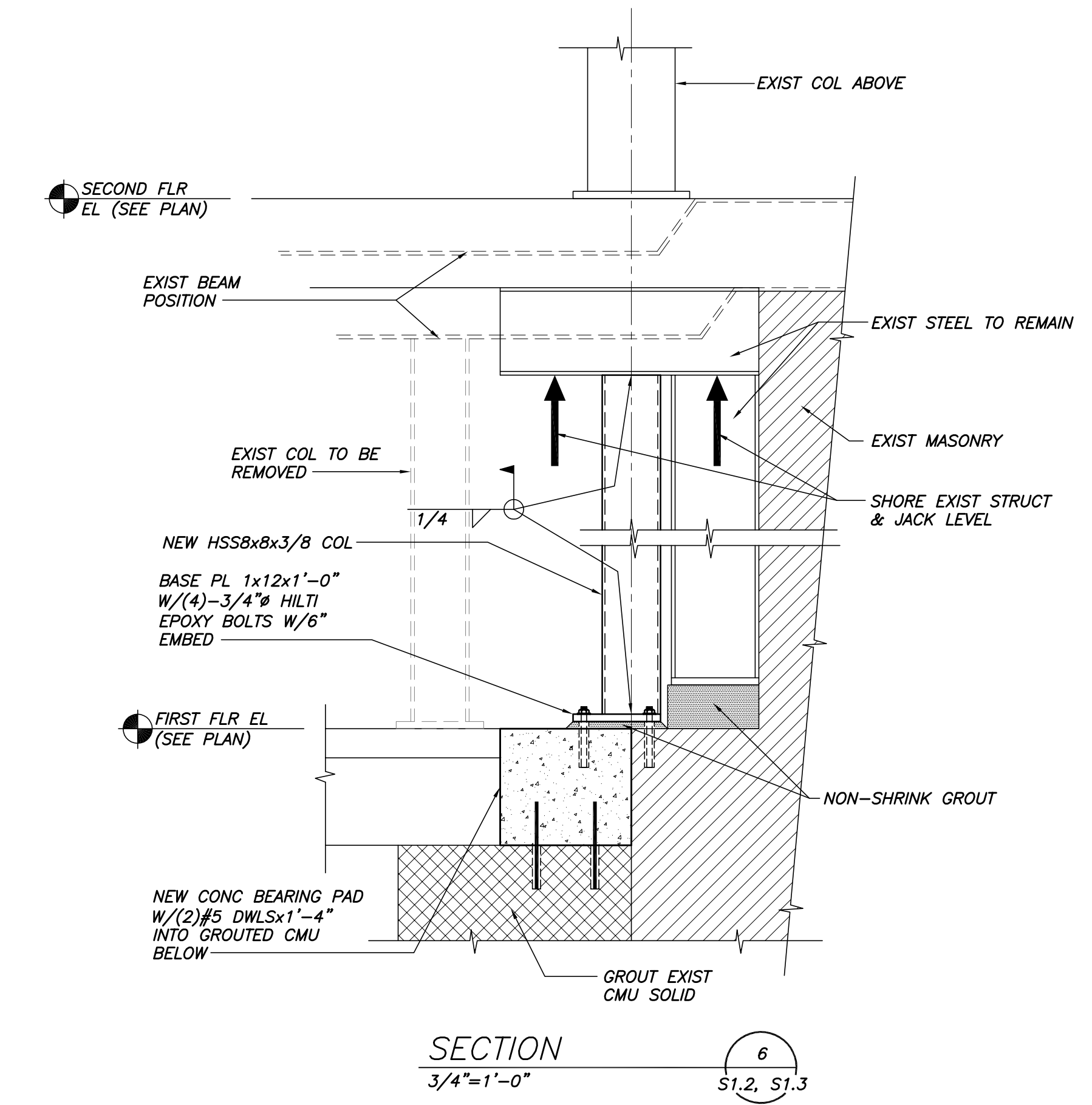
SECTION 3
3/4"=1'-0" S1.2



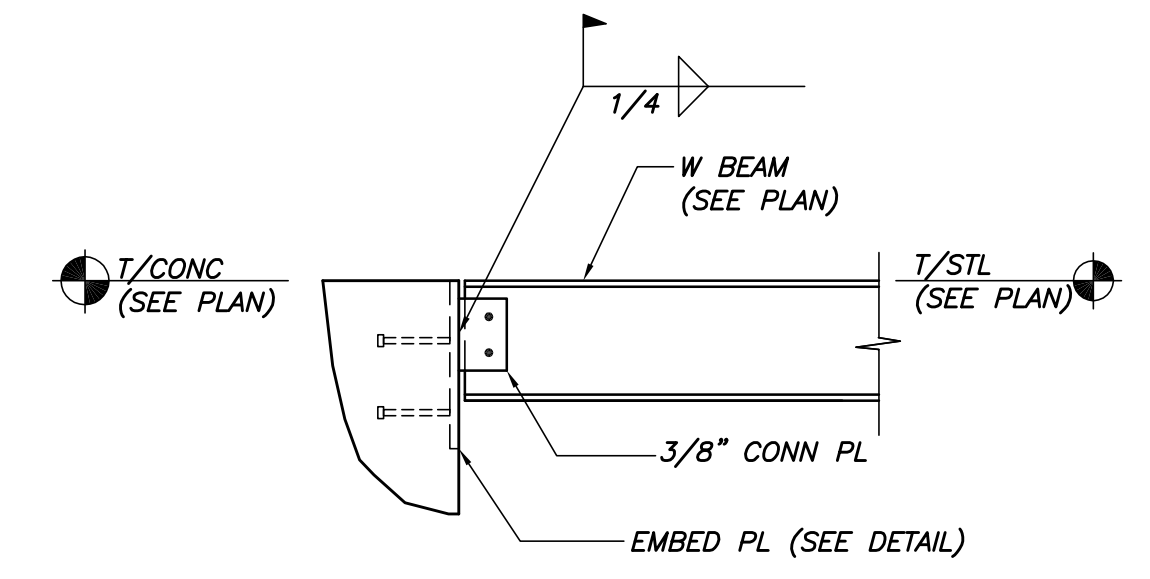
SECTION 4
3/4"=1'-0" S1.2



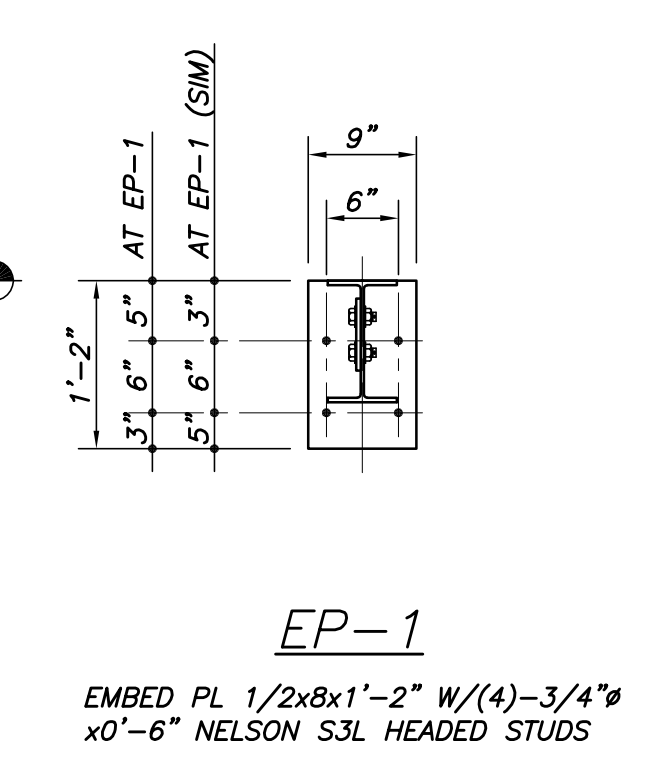
SECTION 5
3/4"=1'-0" S1.2



SECTION 6
3/4"=1'-0" S1.2, S1.3

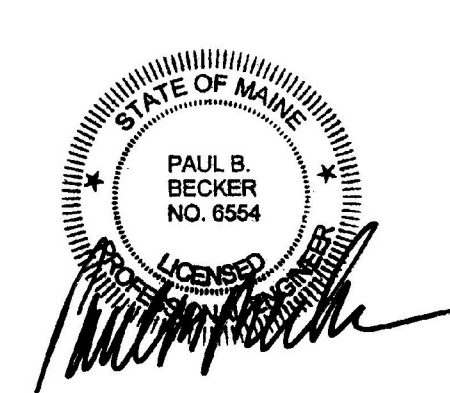
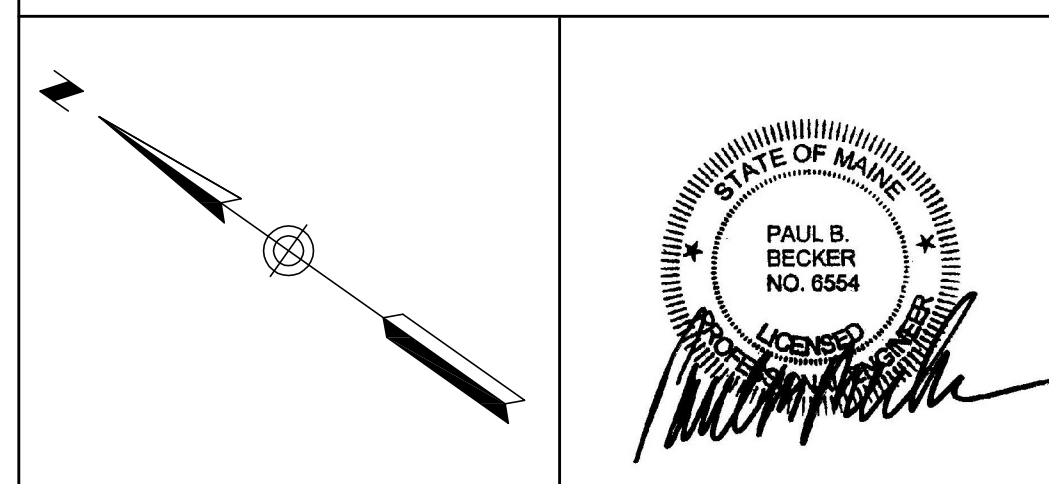


EMBED PLATE EP-1 DETAIL
N.T.S.



EP-1
EMBED PL 1/2x8x1'-2" W/(4)-3/4" # x 0'-6" NELSON S3L HEADED STUDS

NOT FOR CONSTRUCTION
PERMIT SET
09/23/10



Blais Civil Engineers, PA
780 Broadway
South Portland, ME 04106
T. 207.767.7300
sblaise@blaisece.com

Bartlett Design
942 Washington Street
Bath, ME 04530
T. 207.443.5447 F. 207.443.5560
bartdes@blazenetme.net

Mechanical Systems Engineers
Royal River Center, Unit #10
20 Forest Falls Drive, Yarmouth, ME 04101
T. 207.846.1441 F. 207.846.1443

Carroll Associates Landscape Architects
217 Commercial Street, Suite 200
Portland, ME 04101
T. 207.772.1552 F. 207.0712

Becker Structural Engineers, Inc.
75 York Street, Portland, ME 04101
T. 207.879.1838 F. 207.879.1822
www.beckerstructural.com

Winton Scott Architects, PA
5 Milk Street, Portland, ME 04101
207.774.4811
www.wintonscott.com

REV #	DATE	DESCRIPTION

Renovations To:
CUMBERLAND COLD STORAGE BUILDING
Merrill's Wharf, Portland, Maine

SECTIONS & DETAILS

S3.2