

AIR HANDLER SCHEDULE

TAG	AREA SERVED	OUTDOOR UNIT	NOM. TONS	CFM	CFM O.A.	EXT. S.P.	ELECTRIC		COOLING *		HEATING **		REFRIGERANT			WEIGHT LBS	REMARKS
							POWER	AMPS	TOTAL	KW	BTU	KW	TYPE	LIQUID	GAS		
AH-102	102 YOGA STUDIO	OU-21	1,500	635	45	0.31"	208V-60-1P	0.42	14,100	0.150	21,500	0.150	R410A	1/4	1/2	54	HORIZONTAL DUCTED
AH-103	103 FEATHERLY OFFICE	OU-21	1,250	470	40	0.31"	208V-60-1P	0.42	15,400	0.150	17,100	0.150	R410A	1/4	1/2	54	HORIZONTAL DUCTED
AH-104	105 TENANT	OU-21	3,000	1,140	80	0.34"	208V-60-1P	2.30	36,200	0.450	40,600	0.450	R410A	3/8	5/8	84	HORIZONTAL DUCTED
AH-105	106 CORRIDOR	OU-21	0.625	300	45	0.31"	208V-60-1P	0.42	7,500	0.150	8,500	0.150	R410A	1/4	1/2	54	HORIZONTAL DUCTED
AH-106	109 CORRIDOR	OU-21	0.625	300	20	0.31"	208V-60-1P	0.42	7,500	0.150	8,500	0.150	R410A	1/4	1/2	54	HORIZONTAL DUCTED
AH-107	122, 123 & 124 OFFICES	OU-21	3,000	1,140	80	0.34"	208V-60-1P	2.30	36,200	0.450	40,600	0.450	R410A	3/8	5/8	84	HORIZONTAL DUCTED
AH-108	125 RIPPLE EFFECT	OU-21	0.800	350	50	0.31"	208V-60-1P	0.42	9,600	0.150	10,900	0.150	R410A	1/4	1/2	54	HORIZONTAL DUCTED
AH-223	252, 255, 271, 273 & 274	OU-21	6,400	2,100	140	0.86"	208V-60-1P	4.50	76,400	0.800	86,000	0.800	R410A	3/8	3/4	192	HORIZONTAL DUCTED
AH-224	256 CORRIDOR	OU-21	0.625	300	35	0.31"	208V-60-1P	0.42	7,500	0.150	8,500	0.150	R410A	1/4	1/2	54	HORIZONTAL DUCTED
AH-225	257, 278, 279 & 280	OU-21	3,000	1,140	130	0.34"	208V-60-1P	2.30	36,200	0.450	40,600	0.450	R410A	3/8	5/8	84	HORIZONTAL DUCTED
AH-226	272 CONFERENCE	OU-21	0.625	300	40	0.31"	208V-60-1P	0.42	7,500	0.150	8,500	0.150	R410A	1/4	1/2	54	HORIZONTAL DUCTED
AH-227	275 & 276 OFFICES	OU-21	0.625	300	25	0.31"	208V-60-1P	0.42	7,500	0.150	8,500	0.150	R410A	1/4	1/2	54	HORIZONTAL DUCTED
AH-228	281 CONFERENCE	OU-21	0.800	350	30	0.31"	208V-60-1P	0.42	9,600	0.150	10,900	0.150	R410A	1/4	1/2	54	HORIZONTAL DUCTED

* COOLING CAPACITIES BASED ON 80/67 DEG. F. ENTERING AIR & 95 DEG. F. AT THE CONDENSER (OUTDOOR UNIT) STATIC PRESSURES INDICATED ARE THE MAXIMUMS THE EQUIPMENT CAN DELIVER

** HEATING CAPACITIES BASED ON 70 DEG. F. INDOOR AND 47 DB & 43 WB DEG. F. AT THE CONDENSER (OUTDOOR UNIT) OUTDOOR AIR CFMS ARE MINIMUMS UNIT TAG NUMBERS PICK UP WHERE EXISTING TAGS END

DUCT HEATING COIL SCHEDULE

TAG	SIZE	MAX. CFM	APD	KW	MBH	EAT	LAT	STAGES	POWER	REMARKS
DHC-1	8" x 8"	350	0.03"	2.00	6.83	65	86.2	1	208V-60-1P	SLIP-IN DUCT MOUNTING
DHC-2	12"x8"	470	0.03"	2.50	8.53	65	84.7	1	208V-60-1P	SLIP-IN DUCT MOUNTING
DHC-3	12"x10"	635	0.03"	3.00	10.24	65	82.5	1	208V-60-1P	SLIP-IN DUCT MOUNTING
DHC-4	16"x14"	1,200	0.03"	5.00	17.07	65	80.4	1	208V-60-1P	SLIP-IN DUCT MOUNTING
DHC-5	24"x16"	2,100	0.03"	16.00	54.61	55	83.2	1	208V-60-3P	SLIP-IN DUCT MOUNTING

ALL COILS ARE OPEN COIL TYPE

AIR TERMINAL SCHEDULE

TAG	SIZE	MAX CFM	MAX NC	MAX SP	REMARKS
D1	6"	150	20	0.07"	6" ROUND
D2	8"	245	<20	0.06"	8" ROUND
D3	10"	380	<20	0.04"	10" ROUND
ER1	12"x8"	220	20	0.040"	EXHAUST REGISTER
RG1	12"x12"	200	20	0.040"	FILTERED RETURN GRILLE
RG2	16"x16"	430	20	0.040"	FILTERED RETURN GRILLE
RG3	20"x16"	510	20	0.040"	FILTERED RETURN GRILLE
RG4	24"x18"	700	20	0.040"	FILTERED RETURN GRILLE
SR1	6" x 4"	25	20	0.020"	DOUBLE DEFLECTION SUPPLY REGISTER
SR2	6" x 6"	80	20	0.020"	DOUBLE DEFLECTION SUPPLY REGISTER
SR3	10"x6"	200	20	0.030"	DOUBLE DEFLECTION SUPPLY REGISTER
SR4	10"x8"	320	20	0.030"	DOUBLE DEFLECTION SUPPLY REGISTER
SR5	14"x 8"	400	20	0.030"	DOUBLE DEFLECTION SUPPLY REGISTER
TG1	12"x 8"	240	20	0.030"	TRANSFER GRILLE
TG2	12"x12"	360	20	0.030"	TRANSFER GRILLE

HEAT RECOVERY UNIT SCHEDULE

TAG	AREA SERVED	WINTER EXHAUST AIR			WINTER OUTDOOR AIR			SUPPLY AIR TO SPACES			MAX. E.S.P.	MAX K.W.	FAN H.P.	ELECTRIC	WEIGHT	REMARKS
		CFM	TEMP.	RH	CFM	TEMP.	RH	CFM	TEMP.	RH						
HRU-5	FIRST FLOOR	410	70	30.0%	410	-10	50%	410	47.0	60.0%	0.80"	0.56	0.52	208/230V-60-1P	65	HORIZONTAL INDOOR
HRU-6	SECOND FLOOR	470	70	30.0%	400	-10	50%	470	47.0	60.0%	0.80"	0.56	0.52	208/230V-60-1P	65	HORIZONTAL INDOOR

DB = DRY BULB TEMPERATURE RH = RELATIVE HUMIDITY

UNIT HEATER SCHEDULE

TAG	TYPE	AREA SERVED	CFM	E.A.T.	KW	MBH	MOTOR HP	FAN RPM	ELECTRIC	REMARKS
CUH-1	VERT. CABINET	126 LOBBY	222	40	3.00	7.64	1/4	948	208V-60-1P	FLOOR MOUNTED

OUTDOOR UNIT SCHEDULE

TAG	AREA SERVED	NOM. TONS	COOLING *		HEATING **		ELECTRIC		REFRIGERANT TYPE	WEIGHT LBS	REMARKS	
			BTU	KW	BTU	KW	POWER	MOP				MCA
OU-21	ENTIRE PROJECT	20.5	248,400	21.16	274,500	19.73	480V-60-3P	40 + 35	32 + 29	R410A	628 + 628	STAND MOUNTED 24" ABOVE GRADE MIN.

* OUTDOOR AMBIENT OF 95 DEG. F. & INDOOR CONDITION OF 80/67 DEG. F. ** OUTDOOR AMBIENT OF 47/43 DEG. F. & INDOOR CONDITION OF 70 DEG. F. EACH UNIT CONSISTS OF (2) INDIVIDUAL UNITS WHICH MUST BE INTERCONNECTED IN THE FIELD. ONE SINGLE DISCONNECT SWITCH MAY SERVE BOTH UNITS FROM EACH TAG NUMBER

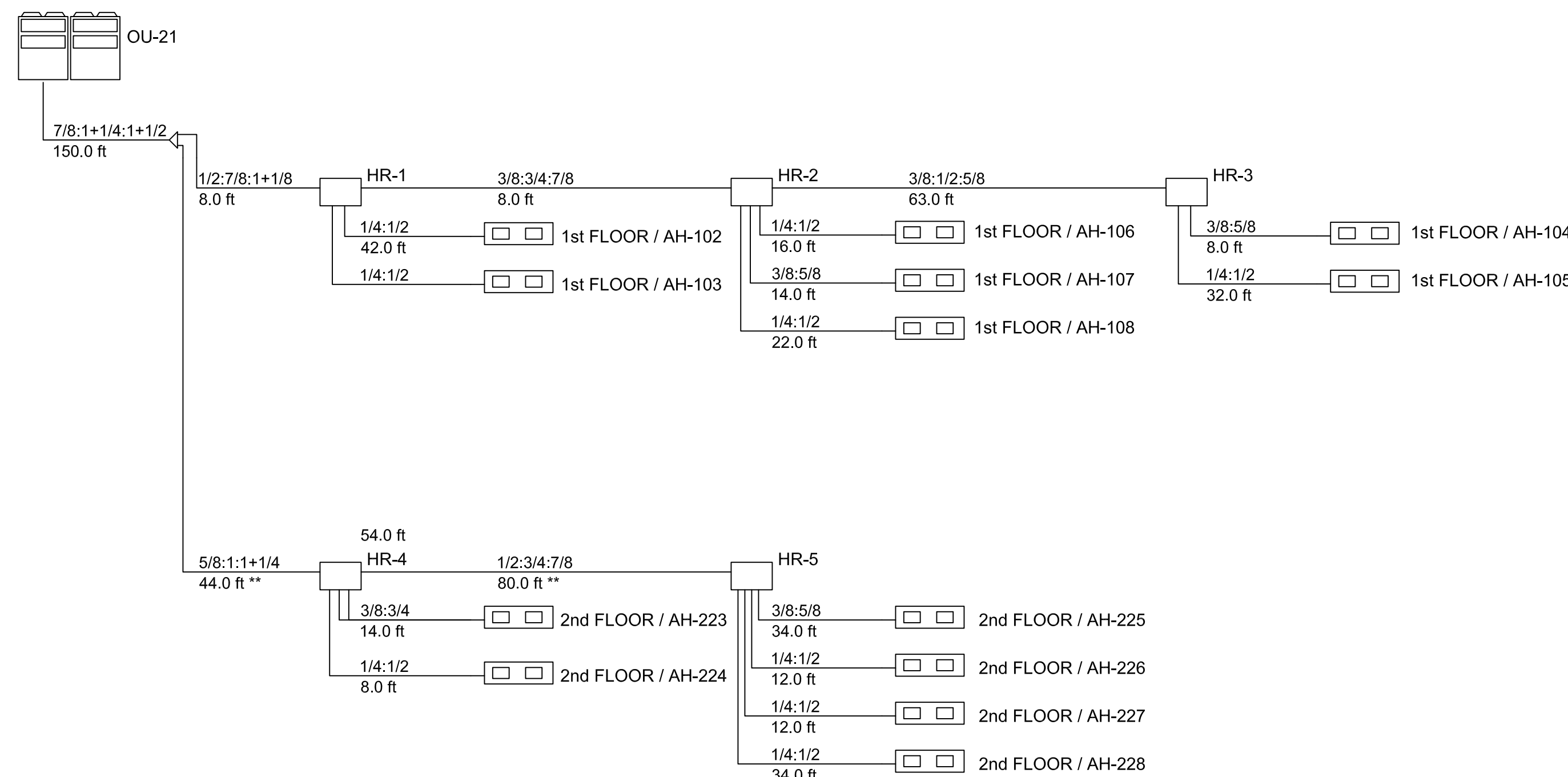
FAN SCHEDULE

TAG	AREA SERVED	TYPE	CFM	SP	SONES	RPM	WATTS	ELECTRIC	WEIGHT	REMARKS
EF-14	270 DATA	CEILING	80	1/4"	1.2	787	58	120V-60-1P	17	OPERATE FROM A.T.C. SYSTEM

SONE RATINGS ARE MINIMUMS NOT TO BE EXCEEDED HVI SONE RATINGS WILL NOT BE ACCEPTED

SYMBOLS AND ABBREVIATIONS

AC	AIR CONDITIONING	L	LOUVER	— L —	REFRIGERANT LIQUID PIPING
AD	ACCESS DOOR	LAT	LEAVING AIR TEMPERATURE	— S —	REFRIGERANT SUCTION PIPING
AFF	ABOVE FINISH FLOOR	LDB	LEAVING DRY BULB	(T)	THERMOSTAT
AH	AIR HANDLER	LWB	LEAVING WET BULB	(T)	THERMOSTAT WITH GUARD
AP	ACCES PANEL	MBH	THOUSAND BTU PER HOUR	(S)	TEMPERATURE SENSOR
APD	AIR PRESSURE DROP	MD	MANUAL DAMPER	(L)	DOOR LOUVER
ATC	AUTOMATIC TEMP. CONTROL	MOD	MOTOR OPERATED DAMPER	(H)	HUMIDISTAT
BD	BACKDRAFT DAMPER	NTS	NOT TO SCALE	(M)	MANUAL DAMPER
BJ	BAR JOIST	OA	OUTDOOR AIR	(H)	HUMIDISTAT
CD	CONDENSATE DRAIN	OD	OUTSIDE DIMENSION	(H)	HUMIDISTAT
CFH	CUBIC FEET PER HOUR	PC	PLUMBING CONTRACTOR	(H)	HUMIDISTAT
CFM	CUBIC FEET PER MINUTE	R	RETURN	(H)	HUMIDISTAT
CUH	CABINET UNIT HEATER	RA	RETURN AIR	(H)	HUMIDISTAT
D	DRAIN	RG	RETURN GRILLE	(H)	HUMIDISTAT
DHC	DUCT HEATING COIL	RL	REFRIGERANT LIQUID	(H)	HUMIDISTAT
DIC	DOWN IN CORNER/CHASE	RS	REFRIGERANT SUCTION	(H)	HUMIDISTAT
DIFF	DIFFUSER	RR	RETURN REGISTER	(H)	HUMIDISTAT
DIW	DOWN IN WALL	S	SUPPLY	(H)	HUMIDISTAT
DO	DRAW-OFF	SA	SUPPLY AIR	(H)	HUMIDISTAT
EAT	ENTERING AIR TEMPERATURE	SC	SITE CONTRACTOR	(H)	HUMIDISTAT
EC	ELECTRICAL CONTRACTOR	SG	SUPPLY GRILLE	(H)	HUMIDISTAT
EDB	ENTERING DRY BULB	SP	STATIC PRESSURE	(H)	HUMIDISTAT
EF	EXHAUST FAN	SR	SUPPLY REGISTER	(H)	HUMIDISTAT
EG	EXHAUST GRILLE	T	THERMOMETER	(H)	HUMIDISTAT
ER	EXHAUST REGISTER	TC	TEMPERATURE CONTROL	(H)	HUMIDISTAT
ESP	EXTERNAL STATIC PRESSURE	TG	TRANSFER GRILLE	(H)	HUMIDISTAT
ENB	ENTERING WET BULB	TSP	TOTAL STATIC PRESSURE	(H)	HUMIDISTAT
FC	FLEXIBLE CONNECTOR	TSTAT	THERMOSTAT	(H)	HUMIDISTAT
FD	FIRE DAMPER	TV	TURNING VANE	(H)	HUMIDISTAT
FV	FACE VELOCITY	UC	UNDERCUT	(H)	HUMIDISTAT
GC	GENERAL CONTRACTOR	UG	UNDERGROUND	(H)	HUMIDISTAT
HC	HEATING CONTRACTOR	UIC	UP IN CHASE	(H)	HUMIDISTAT
HD	HEAVY DUTY	V	VENT	(H)	HUMIDISTAT
HR	HEAT RECOVERY	VI	VIBRATION ISOLATOR	(H)	HUMIDISTAT
HRU	HEAT RECOVERY UNIT			(H)	HUMIDISTAT



1 HEAT PUMP SYSTEM PIPING DIAGRAM
NO SCALE

MERRILL'S WHARF
First & Second Floor Fit Up Project
254 Commercial Street, Portland, Maine

Winton Scott Architects
5 Milk St. Portland, ME 04101
207.774.6680 | wintonsscott.com

Mechanical Systems Engineers
Royal River Center #10
10 Forest Falls Dr., Yarmouth, ME 04096
207.846.1441
Facebook: Mechanical Systems Engineers

Bartlett Design
942 Washington St., Bath, ME 04530
207.443.5447 | bartlettdesigninc@comcast.net

SCALE: NONE

MECHANICAL
EQUIPMENT
SCHEDULES

M4



MECHANICAL SYSTEMS ENGINEERS
ROYAL RIVER CENTER, UNIT #10
10 FOREST FALLS DRIVE
YARMOUTH, MAINE 04096
(207) 846-1441

© COPYRIGHT 2011 M.S.E. Proj. 1150

DECEMBER 21, 2011