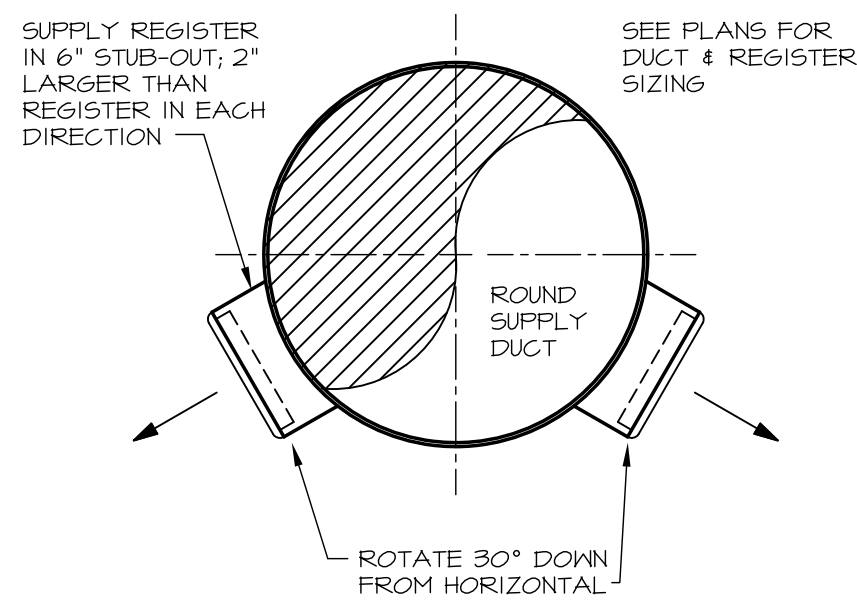
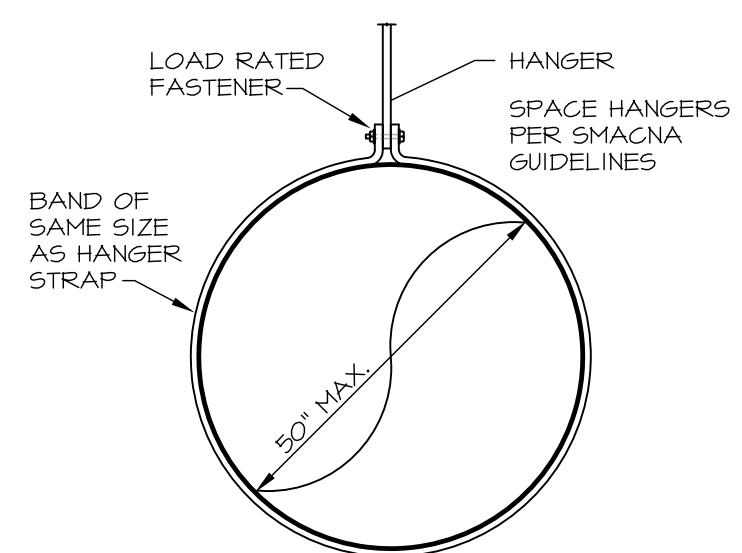


NOTE: SEE PLANS FOR DUCT AND DAMPER SIZING.

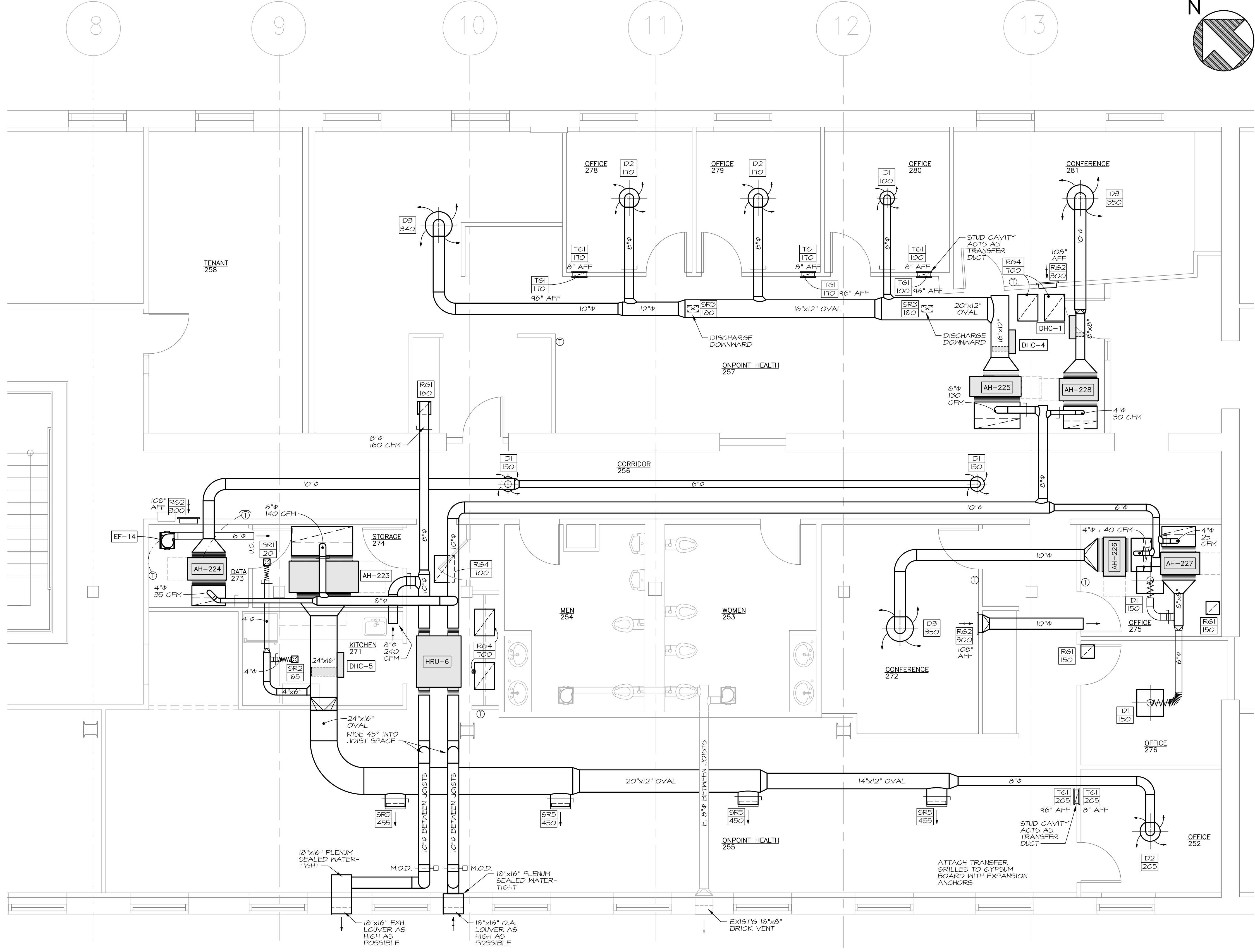
**1 WALL FIRE DAMPER  
BEHIND GRILLE STYLE "B"**  
NO SCALE



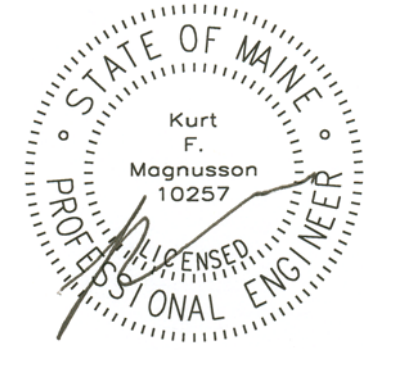
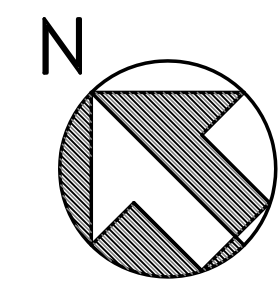
**2 TYPICAL SUPPLY REGISTER  
IN EXPOSED ROUND DUCT**  
NO SCALE



**3 ROUND DUCT SUPPORT**  
NO SCALE



**4 SECOND FLOOR DUCTWORK PLAN**  
SCALE: 1/4" = 1'-0"



**MERRILL'S WHARF**  
**First & Second Floor Fit Up Project**  
254 Commercial Street, Portland, Maine

**Winton Scott Architects**  
5 Milk St. Portland, ME 04101  
207.774.6680 | wintonscott.com

**Mechanical Systems Engineers**  
Royal River Center #10  
10 Forest Falls Dr., Yarmouth, ME 04096  
207.846.1441  
Facebook: Mechanical Systems Engineers

**Bartlett Design**  
942 Washington St., Bath, ME 04530  
207.443.5447 | bartlettdesigninc@comcast.net

SCALE: 1/4" = 1'-0"

SECOND FLOOR  
MECHANICAL  
DUCTWORK PLAN

**M2**

DECEMBER 21, 2011



**MECHANICAL SYSTEMS ENGINEERS**  
ROYAL RIVER CENTER, UNIT #10  
10 FOREST FALLS DRIVE  
YARMOUTH, MAINE 04096  
(207) 846-1441

© COPYRIGHT 2011 M.S.E. Proj. 1150

December 20, 2011 - 4:11 pm  
\\wefsp\projects\1150 Merrill Wharf Floors 1 and 2\Drawings\1150\_M1-M2.dwg