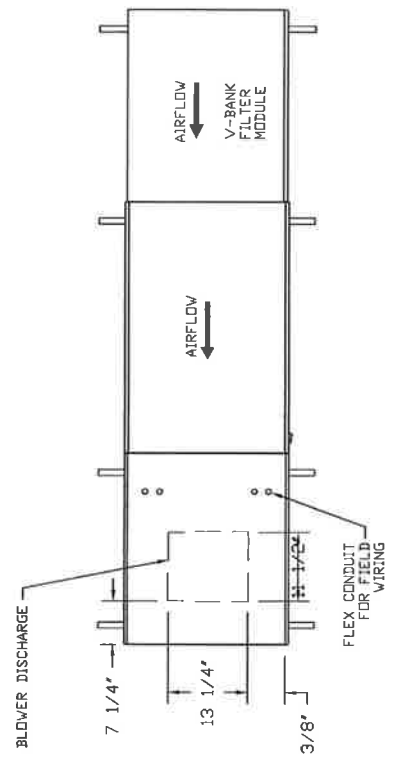
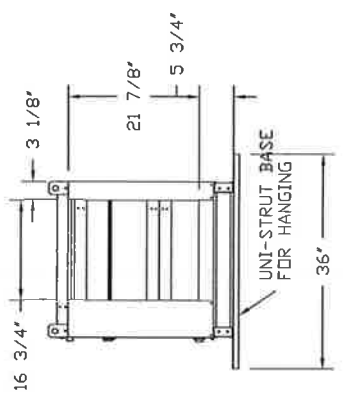
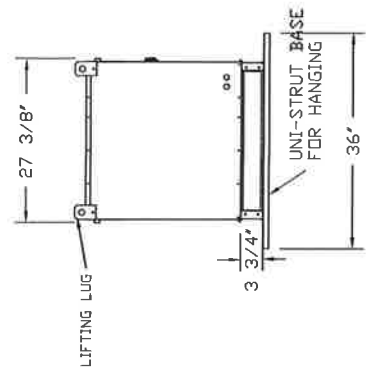
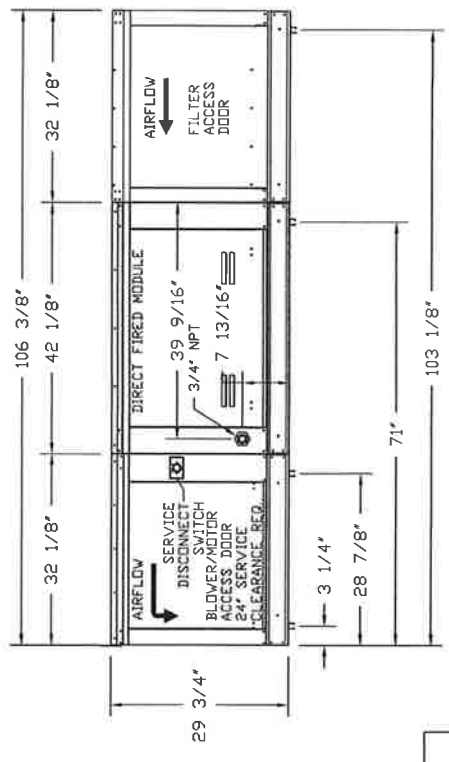


Page 11 - Make up air fan - 254 Commercial St.

- FAN #2 A1-D250-G10 - HEATER
1. DIRECT GAS FIRED HEATED MAKE UP AIR UNIT WITH 10" BLOWER
  2. V-BANK EZ FILTERS -- INDOOR
  3. DOWN DISCHARGE -- AIR FLOW RIGHT --> LEFT
  4. MOTORIZED BACK DRAFT DAMPER 16" X 18" FOR SIZE 1 STANDARD & MODULAR DIRECT FIRED HEATERS W/EXTENDED SHAFT, STANDARD GALVANIZED CONSTRUCTION, 3/4" REAR FLANGE, LF120S ACTUATOR INCLUDED
  5. COOLING INTERLOCK RELAY, 24VAC COIL, 120V CONTACTS, LOCKS OUT BURNER CIRCUIT WHEN AC IS ENERGIZED.
  6. LOW FIRE START, ALLOWS THE BURNER CIRCUIT TO ENERGIZE WHEN THE MODULATION CONTROL IS IN A LOW FIRE POSITION.
  7. GAS PRESSURE GAUGE, 0-35", 2.5" DIAMETER, 1/4" THREAD SIZE
  8. GAS PRESSURE GAUGE, -5 TO +15 INCHES WC, 2.5" DIAMETER, 1/4" THREAD SIZE
  9. FULL CRATING FOR COMMERCIAL HEATERS FOR SHIPPING.
  10. INDOOR HANGING CRADLE FOR THE SIZE 1 DIRECT FIRED UNIT. 2 HSA125 HANGING ISOLATORS PER UNI-STRUT INCLUDED.
  11. SEPARATE 120VAC WIRING PACKAGE FOR MAKE-UP AIR UNITS. OPTION MUST BE SELECTED WHEN MOUNTING VFD IN PREWIRED PANEL OR WITH EMS PACKAGE. PROVIDES SEPARATE 120VAC INPUT TO SUPPLY FAN. THIS 120V SIGNAL MUST BE RUN BY ELECTRICIAN FROM EMS TO MUA SWITCH.
  12. 'INSULATION' FOR V-BANK INTAKE OPTION.



SUPPLY SIDE HEATER INFORMATION  
 WINTER TEMPERATURE = 0°F. TEMP. RISE = 85°F.  
 BTUS CALCULATED OFF ACTUAL AIR DENSITY  
 OUTPUT BTUS AT ALTITUDE OF 0.0 ft. = 200197  
 INPUT BTUS AT ALTITUDE OF 0.0 ft. = 217606



CUSTOMER APPROVAL TO MANUFACTURE

Approved as Noted

Approved with NO Exception Taken

Revised and Resubmit

SIGNATURE \_\_\_\_\_ Date \_\_\_\_\_

Your Title \_\_\_\_\_



JOB	Commercial St - Portland, ME (heated) r1
LOCATION	Lewiston, ME
DATE	11/14/2013
DWG #	5
REV.	
JOB #	1912251
DRAWN BY	BFC-21
SCALE	3/8" = 1'-0"