

Partial Plan 1st Floor

Partial Plan 1/Mezzanine (Above Cooler)

LEGEND:

RISER DIAG SYM	NFPA SYMBOL*	CONTRACT DWG SYM	DESCRIPTION	CATALOG #
FACP	FACP	FACP	Fire Alarm Control Panel	i0500
FATC	FATC	FATC	Fire Alarm Terminal Cabinet	FBO
BPS	FACU		Auxiliary Booster Power Supply	BPS6A
F	P	F	Addressable Manual Pull Station	SIGA-278
?	?	S	Addressable Smoke Detector	SIGA2+S
1	1	H	Addressable Heat Detector	SIGA2+HS
CO	CO		Carbon Monoxide Detector	SIGA2-COS
CT2	AM		Addressable Dual Input Module	SIGA-CT2
CT1	AM		Addressable Single Input Module	SIGA-CT1
?	?	F	Strobe Unit - Selectable Candela (Red Wall Mount)	G1RF-V/M
?	?	F	Horn/Strobe Unit - Selectable Candela (Red Wall Mount)	G1RF-HDVM

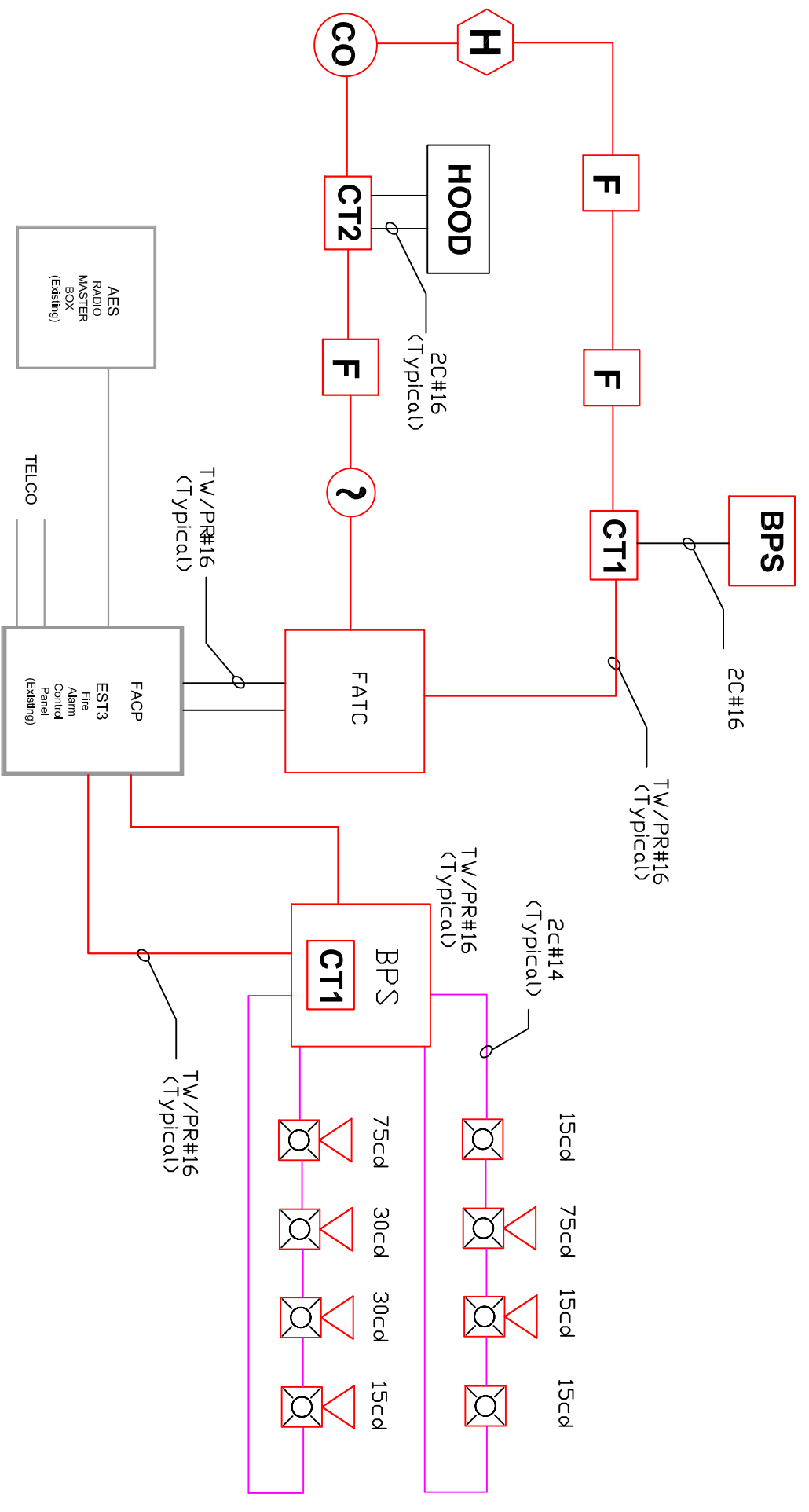
NOTE: Not all symbols shown are included in this project.

GENERAL NOTES:

- ALL WIRING SHALL BE IN ACCORDANCE WITH NATIONAL ELECTRICAL CODE, INTERNATIONAL BUILDING CODE (IBC), AND MANUFACTURERS REQUIREMENTS AND RECOMMENDATIONS.
- PLEASE CALL TIM BIRON 207.939.2134 WITH ANY QUESTIONS REGARDING THIS PROJECT.
- ALL ADDRESSABLE DEVICES SHALL BE INSTALLED IN HEATED AREAS.

WIRING NOTES:

- Addressable Loop consists of (1) Twisted/Pair #16 from FACP to 1st device; continue with Twisted/Pair through remaining devices, and return to FACP. Maintain proper separation between feeds and returns.
- Horn/Strobe circuits consist of a minimum 2c #14 from the FACP Panel to 1st device; continue w/ 2c #14 through remaining devices and return to FACP. Maintain proper separation between feeds and returns.
- System must be grounded in accordance with National Electrical Code guidelines for Fire Alarm Systems.



Fire Alarm Riser Diagram

DWG NAME:
King's Head
Portland, Maine
Fire Alarm System
Riser Diagram
DWG NAME: 84705-RSR

R.B. Allen Co., Inc.
P.O. BOX 770
131 LA Fayette RD
NO. HAMPTON, NH 03862
1-800-258-7264

EDWARDS SYSTEM TECHNOLOGY

JOB NAME:
King's Head (Tenant Fitup)
Merrill Wharf
Portland, Maine
Fire Alarm System
Riser Diagram

REV.	DESCRIPTION	DATE	DRWN:	RW'D:
0	Original Issue	3/14	AR	TRD

SCALE: 3/16" = 1'-0" (Plotted as 'C' Size)

PD No. 84705
KING'S HEAD
Tenant Fit Up
Fire Alarm System
Riser Diagram
DWG No. FA-001