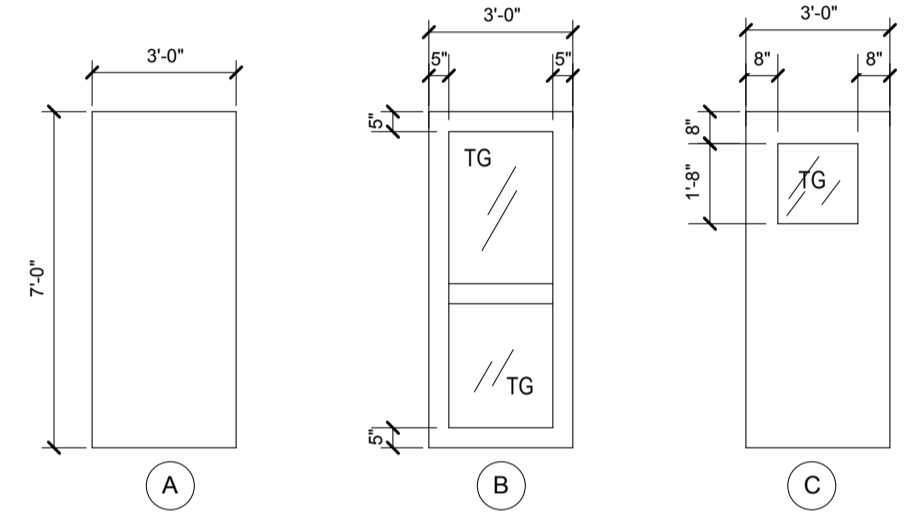


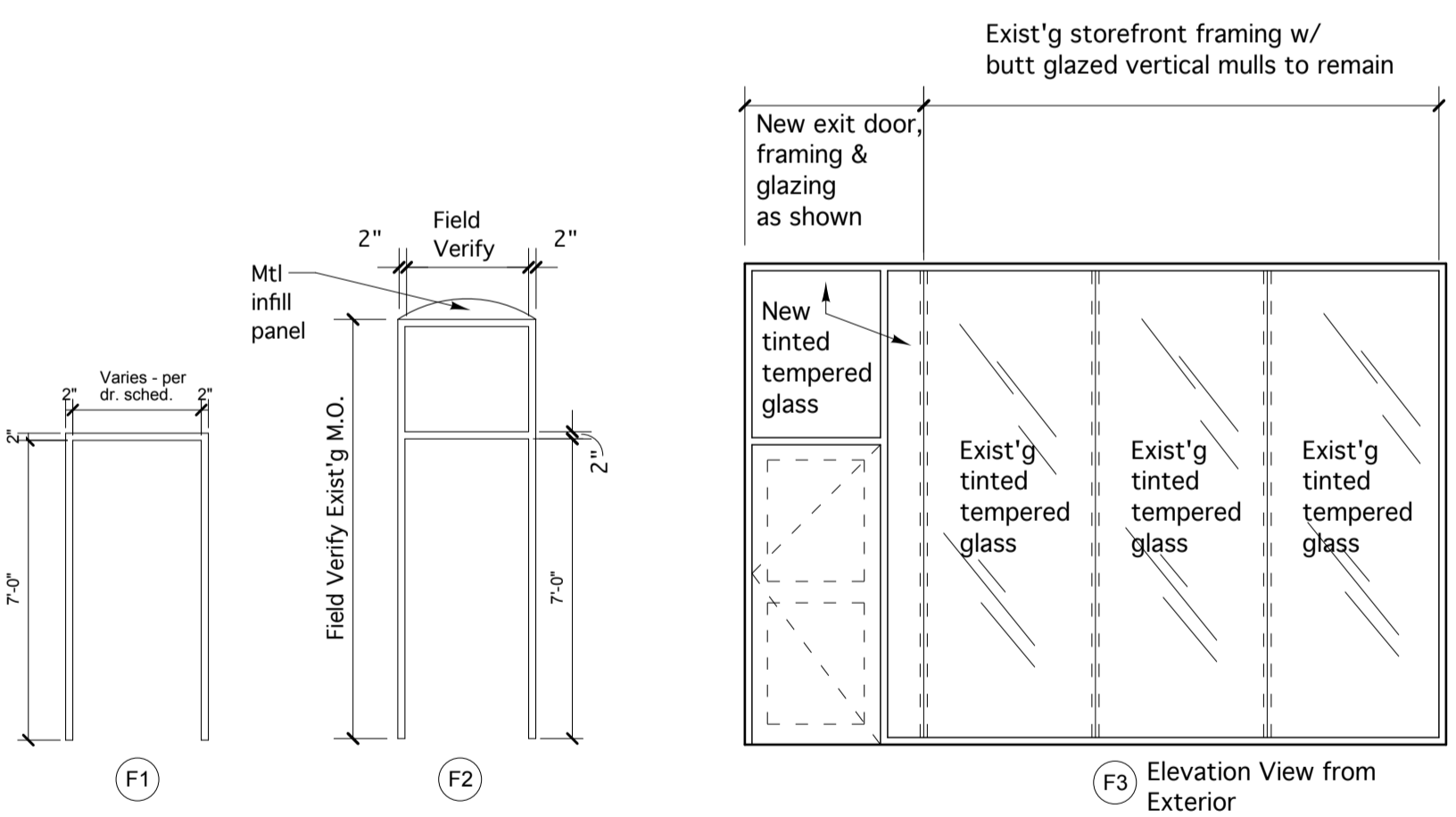
DOOR & FRAME SCHEDULE														
General			Door			Frame			Details					
Door No.	Size (W x H)	Thickness	Material	Finish	Type	Material	Finish	Type	Head	Jamb	Threshold	Hardware	Label	Remarks
SECOND FLOOR														
101	3'-0" X 7'-0"	1 3/4"	ALUM	Exist'g	Exist'g	ALUM	Exist'g	Exist'g	Exist'g	Exist'g	ALUM THRS	HDWR 3	--	
102	3'-0" X 7'-0"	1 3/4"	ALUM	F.F.	B	ALUM	F.F.	F3	H3	J3	ALUM THRS	HDWR 3	--	
103	3'-0" X 7'-0"	1 3/4"	SCWD	CLR. F.	A	HM	PNTD.	F1	H2	J2	--	HDWR 4	--	
104	3'-0" X 7'-0"	1 3/4"	SCWD	PNTD.	A	HM	PNTD.	F1	H1	J1	T1	HDWR 1	--	1" Undercut
105	3'-0" X 7'-0"	1 3/4"	SCWD	PNTD.	A	HM	PNTD.	F1	H1	J1	T1	HDWR 1	--	1" Undercut
106	3'-0" X 7'-0"	1 3/4"	SCWD	PNTD.	C	HM	PNTD.	F1	H4	J4	T2	HDWR 2	--	2 way swing door
107	2'-10" X 7'-0"	1 3/4"	GHM	PNTD.	A	GHM	PNTD.	F2	H4	J4	ALUM THRS	HDWR 3	--	Verify exist'g. M.O. dims

Hardware Sets:  
 HDWR 1: Hinges, Silencers, Stop, Commercial Duty Lever Lockset - Passage Function.  
 HDWR 2: 2 way swinging, self closing hinges, push plates and kick plate each side.  
 HDWR 3: Hinges, Closer, Stop, Exit Device, Entrance Function Lockset, Kick Plate, Weatherstripping  
 HDWR 4: Hinges, Closer, Silencers, Stop, Commercial Duty Lever Lockset - Office Function.

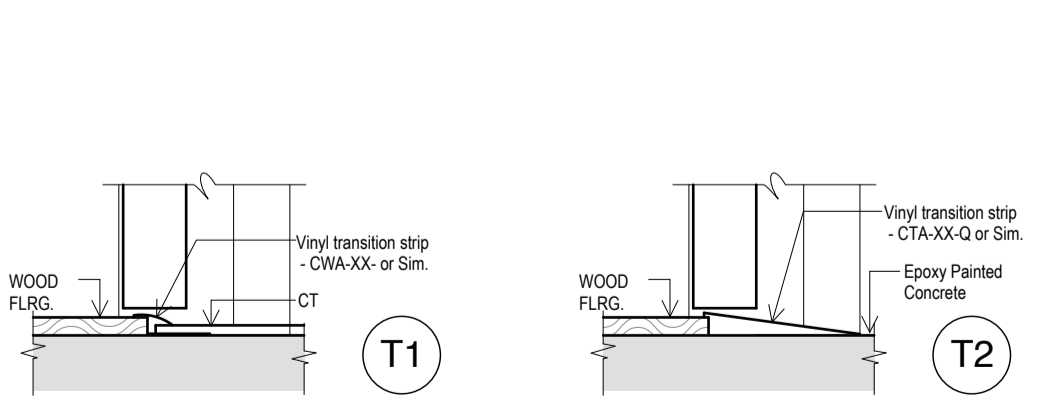
ABBREVIATIONS	
ALUM	Aluminum
SCWD	Solid Core wood door
CLR. F.	Clear Finish
HM	Hollow Metal
GHM	Galvanized Hollow Mtl.
PNTD.	Painted
F.F.	Factory Finish
HW	Hardware Set
TG	Tempered Glass



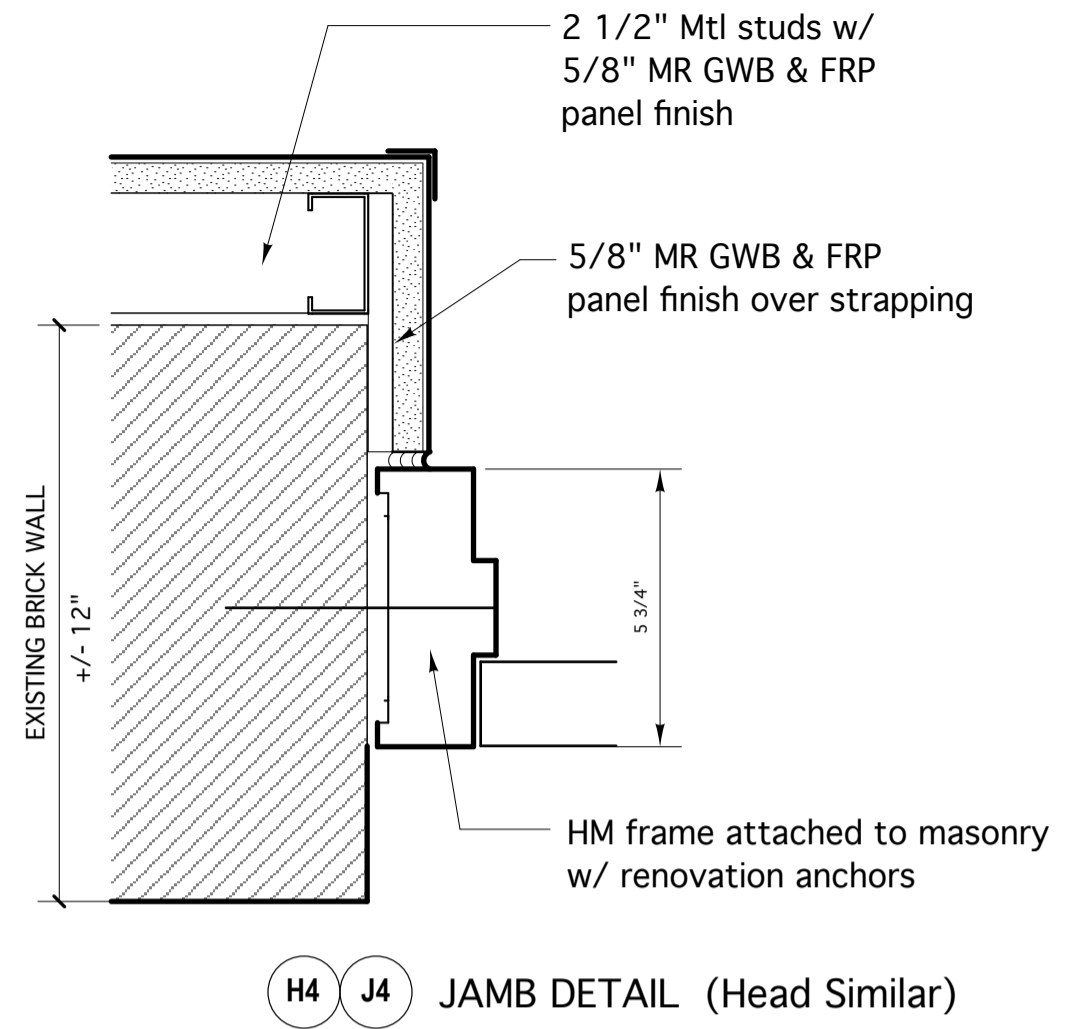
**DOOR TYPES**  
 1/4" = 1'-0"



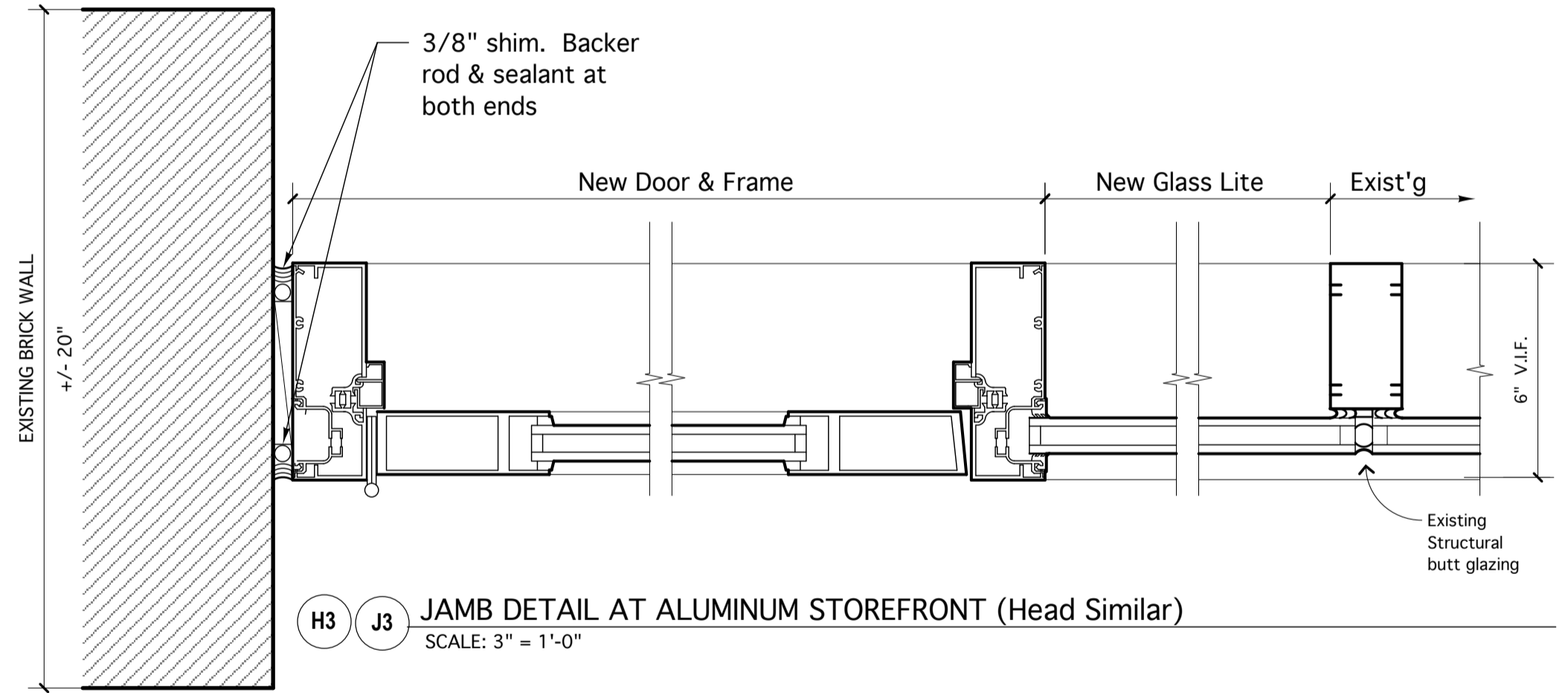
**FRAME TYPES**  
 1/4" = 1'-0"



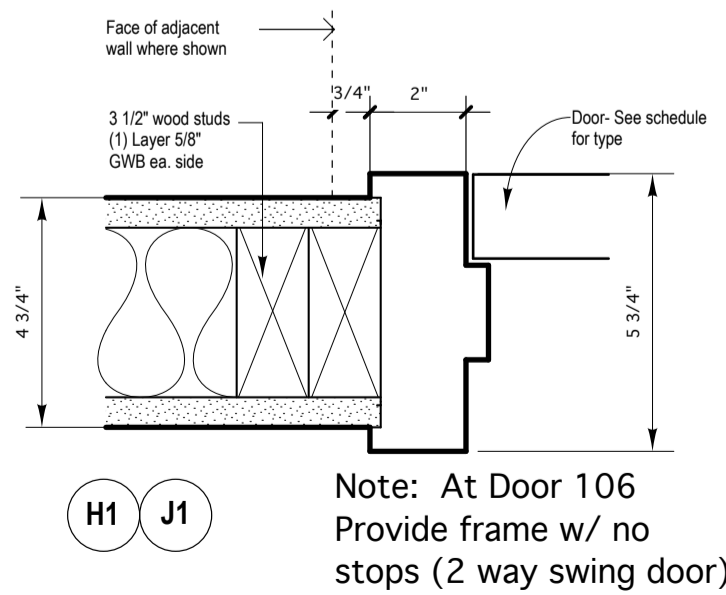
**TRANSITION DETAILS**  
 3" = 1'-0"



H4 J4 JAMB DETAIL (Head Similar)

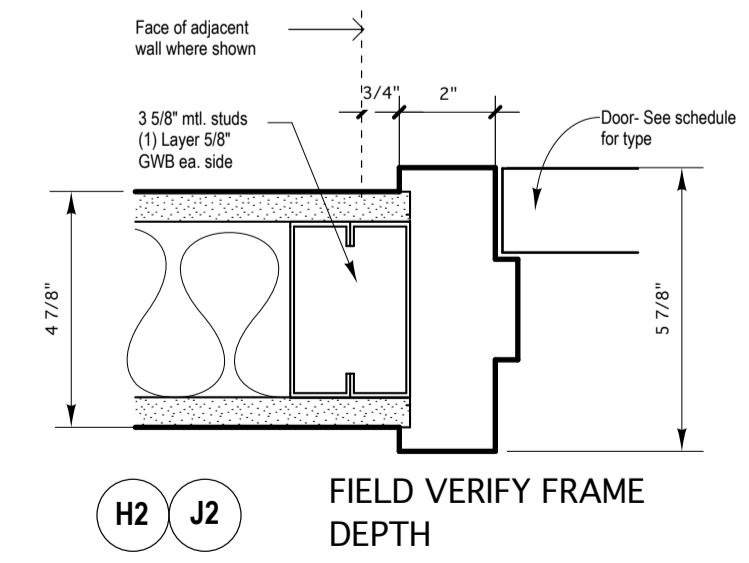


H3 J3 JAMB DETAIL AT ALUMINUM STOREFRONT (Head Similar)  
 SCALE: 3" = 1'-0"



Note: At Door 106 Provide frame w/ no stops (2 way swing door)

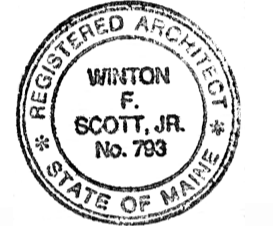
**FRAME DETAILS**  
 3" = 1'-0"



H2 J2 FIELD VERIFY FRAME DEPTH



5 Milk Street  
 Portland, Maine 04101  
 207 774 4811  
 www.wintonscott.com



*Winton Scott*

**KING'S HEAD  
 Tenant Fit Up**

Merrill's Wharf  
 Portland, Maine

REVISIONS  
 5/9/13  
 6/8/13

PERMIT DOCUMENTS  
 JUNE 8, 2013

Door Schedule /  
 Details  
 Scale: As Noted