

FIRE SPRINKLER PLAN - FIFTH FLOOR PIPING

SCALE: 1/8"=1'
 AREA PROTECTED: 18,000 SQ. FT.
 FINISH FLOOR ELEVATION 63'-2 1/2"

INSTALL HIGHER TEMPERATURE SPRINKLERS AS REQUIRED BY NFPA # 13 AROUND HEATING EQUIPMENT

155° ON DROP
 155° ON LINE
 175° ON SPRIG-UP
 175° ON SPRIG-UP

1/2" K-S-6 CONCEALED PENDENT WITH WHITE COVER PLATE TYCO MODEL WTI SIN # TY3331
 1/2" K-S-6 WHITE UPRIGHT TYCO MODEL TY-FRB SIN # TY3131
 1/2" K-S-6 BRASS UPRIGHT TYCO MODEL CC2 SIN # TY3131
 1/2" K-S-6 BRASS UPRIGHT TYCO MODEL CC2 SIN # TY3189

FLEXIBLE DROP TO BE USED AT ALL ACoustICAL TILE CEILING ONLY

ALL EXPOSED LINES RUN UP IN JOISTS WITH BRASS PENDENT ON EXPOSED LINE. LINES TO BE 2" ABOVE BOTTOM OF JOISTS. PIPES CONCEALED ONLY AT AREAS W/ CEILING SPRINKLER SPACING IS 130 SQ FT AT EXPOSED AREAS

NOTE:
 ALL ACT & GWB CEILING HEIGHTS AS NOTED
 FLEXIBLE DROPS TO BE USED AT ALL ACoustICAL TILE CEILING ONLY
 HARD PIPE DROPS TO BE USED AT ALL GYPSUM CEILING ONLY
 ALL SPRINKLER PIPE AT FIFTH FLOOR TO BE RUN AT 11'-0" AFF TO CENTERLINE OF PIPE UNLESS NOTED OTHERWISE
 ALL PENDENT SPRINKLERS IN ACT TILE TO BE CENTERED IN 2'-0" TILE PANELS
 ALL AREAS LIGHT HAZARD OCCUPANCY

NOTE: ALL PIPE CUTS SHOWN ARE FROM CENTER TO CENTER OF FITTINGS

ALL EXPOSED LINES RUN UP IN JOISTS WITH BRASS PENDENT ON EXPOSED LINE. LINES TO BE 2" ABOVE BOTTOM OF JOISTS. PIPES CONCEALED ONLY AT AREAS W/ CEILING SPRINKLER SPACING IS 130 SQ FT AT EXPOSED AREAS

DETAIL "X" - ANTI-FREEZE LOOP

LEGEND
 1" BUTTERBALL VALVE W/ TAM SW
 1" FILL CUP
 1" GLOBE VALVE (FLL)
 1" GLOBE VALVE (EST)
 1" SWING CHECK VALVE W/ 1/32" HOLE IN CLAPPER
 1" GLOBE VALVE (CRAN)

SYSTEM CAPACITY APPROX 2 GALLONS

NOTE:
 ANTI-FREEZE PIPING FOR ELEVATOR PENETRATOR TO BE FILLED WITH ANTI-FREEZE SOLUTION WITH MIXTURE RATIO OF 50% WATER AND 50% GLYCOL FOR A FREEZE POINT OF APPROXIMATELY -21° F

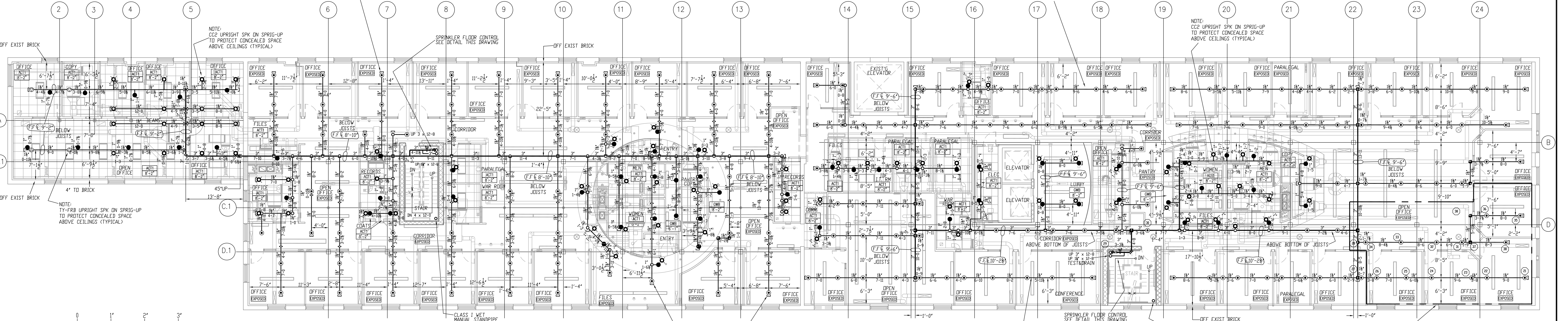
HYDRAULIC-SYSTEM
 THIS BUILDING IS PROTECTED BY A HYDRAULICALLY DESIGNED AUTOMATIC SPRINKLER SYSTEM

LOCATION 5TH FLR SPRIGS

No. OF SPRINKLERS (CALCULATED)	14
BASIS OF DESIGN	.1
1. DENSITY (GPM/SQ FT)	1.118
2. DESIGN AREA (DISCHARGE (SQ FT))	236
SYSTEM DEMAND	236
1. WATER FLOW RATE (GPM)	80
2. RESIDUAL PRESSURE AT THE BASE OF THE RISER (PSI)	80

HYDRAULIC DATA NAMEPLATE
 TO BE MOUNTED AT SYSTEM RISER

○ = INDICATES HYDRAULIC REFERENCE POINTS



FIRE SPRINKLER PLAN - FOURTH FLOOR PIPING

SCALE: 1/8"=1'
 AREA PROTECTED: 20,000 SQ. FT.
 FINISH FLOOR ELEVATION 52'-4"

INSTALL HIGHER TEMPERATURE SPRINKLERS AS REQUIRED BY NFPA # 13 AROUND HEATING EQUIPMENT

155° ON DROP
 155° ON EXPOSED LINE
 175° ON SPRIG-UP
 175° ON SPRIG-UP

1/2" K-S-6 CONCEALED PENDENT WITH WHITE COVER PLATE TYCO MODEL WTI SIN # TY3331
 1/2" K-S-6 BRASS UPRIGHT TYCO MODEL TY-FRB SIN # TY3131
 1/2" K-S-6 BRASS UPRIGHT TYCO MODEL CC2 SIN # TY3131
 1/2" K-S-6 BRASS UPRIGHT TYCO MODEL CC2 SIN # TY3189

FLEXIBLE DROP TO BE USED AT ALL ACoustICAL TILE CEILING ONLY

ALL EXPOSED LINES RUN UP IN JOISTS WITH BRASS PENDENT ON EXPOSED LINE. LINES TO BE 2" ABOVE BOTTOM OF JOISTS. PIPES CONCEALED ONLY AT AREAS W/ CEILING SPRINKLER SPACING IS 130 SQ FT AT EXPOSED AREAS

ALL EXPOSED LINES RUN UP IN JOISTS WITH BRASS PENDENT ON EXPOSED LINE. LINES TO BE 2" ABOVE BOTTOM OF JOISTS. PIPES CONCEALED ONLY AT AREAS W/ CEILING SPRINKLER SPACING IS 130 SQ FT AT EXPOSED AREAS

ALL EXPOSED LINES RUN UP IN JOISTS WITH BRASS PENDENT ON EXPOSED LINE. LINES TO BE 2" ABOVE BOTTOM OF JOISTS. PIPES CONCEALED ONLY AT AREAS W/ CEILING SPRINKLER SPACING IS 130 SQ FT AT EXPOSED AREAS

(FOURTH FLOOR # 4) HYDRAULICALLY MOST REMOTE

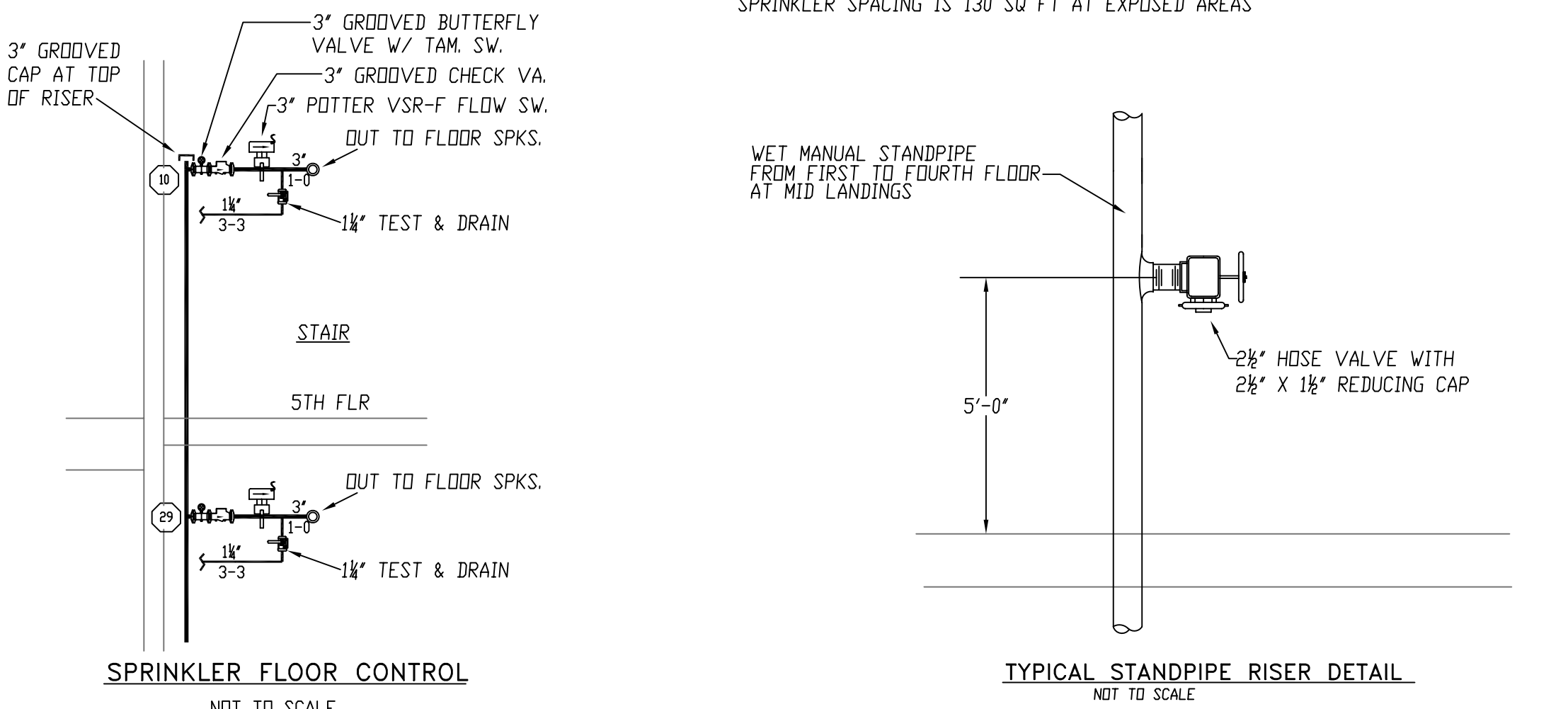
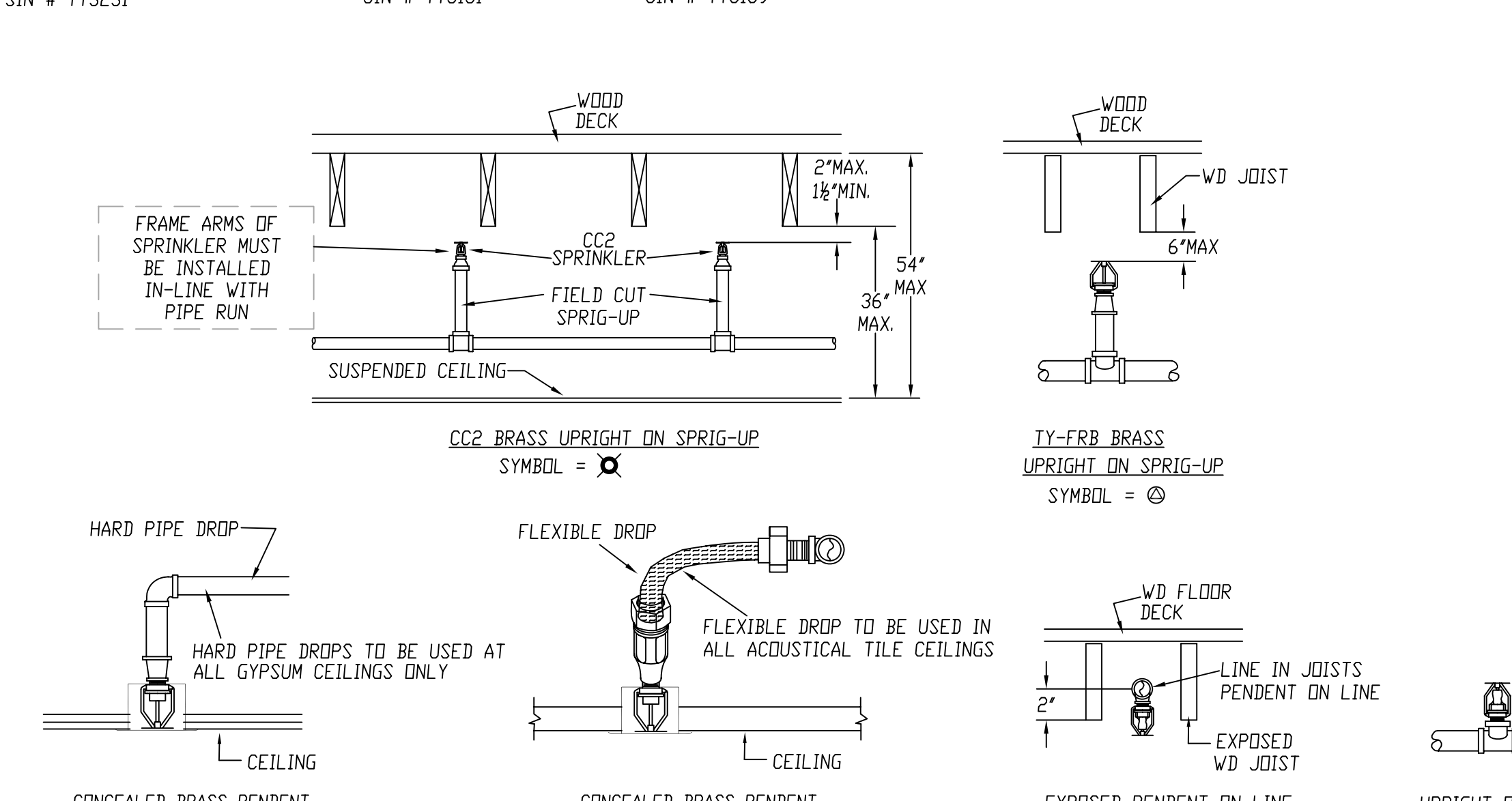
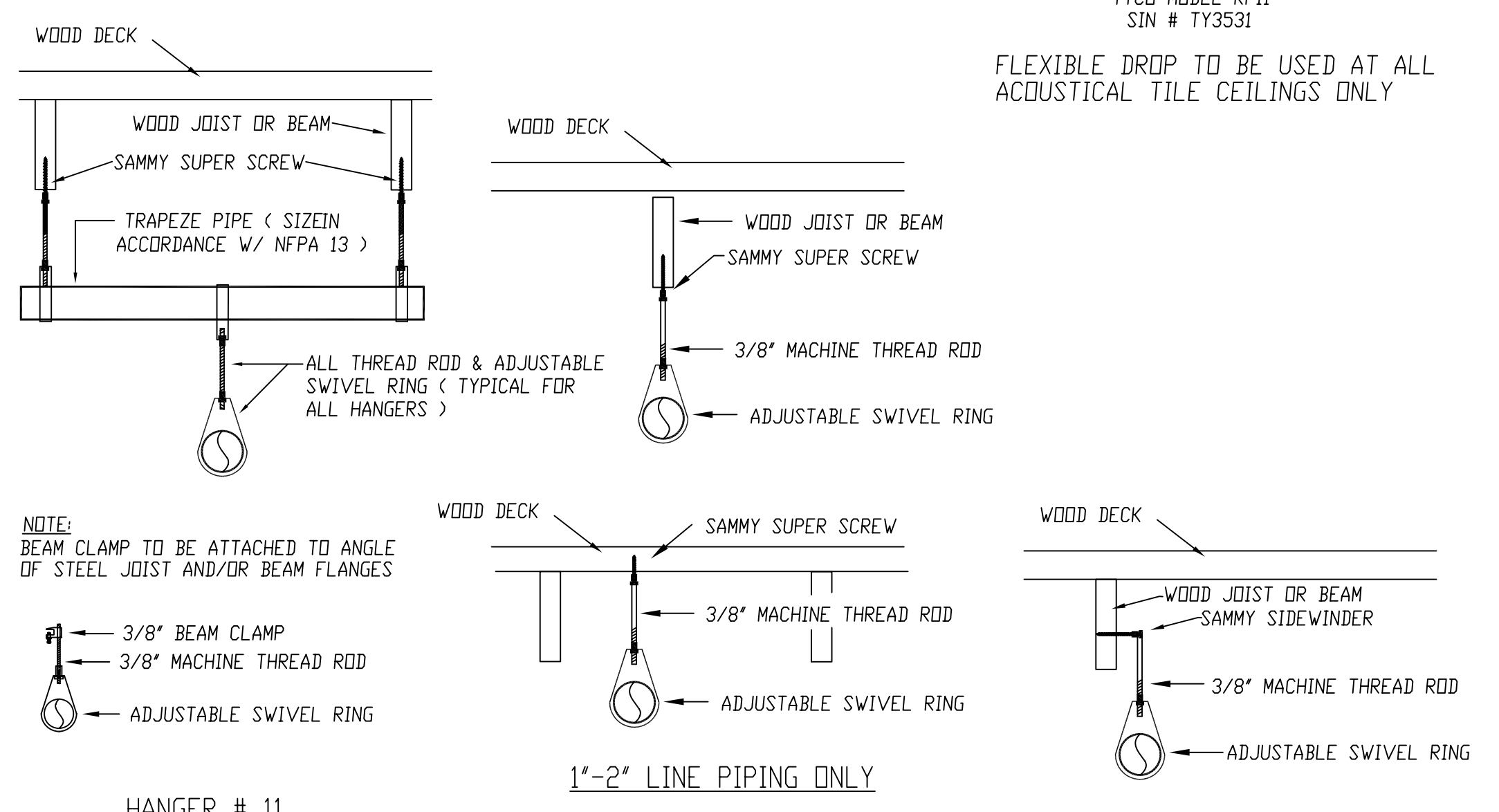
HYDRAULIC-SYSTEM
 THIS BUILDING IS PROTECTED BY A HYDRAULICALLY DESIGNED AUTOMATIC SPRINKLER SYSTEM

LOCATION 4TH FLR PND

No. OF SPRINKLERS (CALCULATED)	13
BASIS OF DESIGN	.1
1. DENSITY (GPM/SQ FT)	1.061
2. DESIGN AREA (DISCHARGE (SQ FT))	217
SYSTEM DEMAND	217
1. WATER FLOW RATE (GPM)	80.8
2. RESIDUAL PRESSURE AT THE BASE OF THE RISER (PSI)	80.8

HYDRAULIC DATA NAMEPLATE
 TO BE MOUNTED AT SYSTEM RISER

○ = INDICATES HYDRAULIC REFERENCE POINTS



GENERAL NOTES

ALL PAINTING OF SPRINKLER PIPE AND ELECTRICAL WIRING TO BE DONE BY OTHERS

SPRINKLER SYSTEM INSTALLATION TO COMPLY WITH NFPA PARALLEL # 13, 2010

ALL DIMENSIONS ARE SHOWN FOR GENERAL LOCATION OF SPRINKLER HEADS; PIPING MAY VARY TO SUIT ACTUAL FIELD CONDITIONS.

OCCUPANCY DESCRIPTION AND CLASSIFICATION: OFFICES LIGHT HAZARD

MAXIMUM HEIGHT OF STORAGE NOT TO EXCEED 8'-0"

○ = INDICATES HYDRAULIC REFERENCE POINTS

FF: INDICATES FINISH FLOOR UP TO CENTERLINE OF PIPE.

GENERAL NOTES	DATE	REVISIONS	REQUIRED APPROVALS	MERRILL'S WHARF 258 COMMERCIAL ST. PORTLAND, MAINE	FIRE SPRINKLER PLANS & DETAILS
BRANCH LINE PIPING (1"-2") TO BE BLACK SCH 40 PIPE JOINED BY THREADED BUTTLE IRON FITTINGS	02/22/11	PLAN REVISED TO INDICATE 4TH FLOOR SPRINKLER LAYOUT	OWNER / ARCHITECT STATE FIRE MARSHAL PORTLAND FIRE DEPARTMENT	<p>CONTRACT WITH: METRIC CORP.</p> <p>EASTERN FIRE PROTECTION AUBURN/LEWISTON INDUSTRIAL AIRPARK, AUBURN, MAINE 04210</p>	DWG. NO. 3 OF 3
SPRINKLER SYSTEM INSTALLATION TO COMPLY WITH NFPA PARALLEL #13, 2010 AND SPECIFICATION SECTION 21 00 00			DRAWN BY: WAF NICET LEVEL III CERT # 095574		JOB NUMBER AU-4660-10
OWNER TO PROVIDE SUFFICIENT HEAT THROUGHOUT BUILDING TO PREVENT FREEZING OF WATER FILLED SPRINKLER PIPING AND EQUIPMENT (MIN. 40°)			CHECKED BY: RCB NICET LEVEL III CERT # 069681		SCALE AS NOTED
			CONTRACTOR LICENSE # 101 CONTRACTOR RMS # 368		DATE 02/01/11