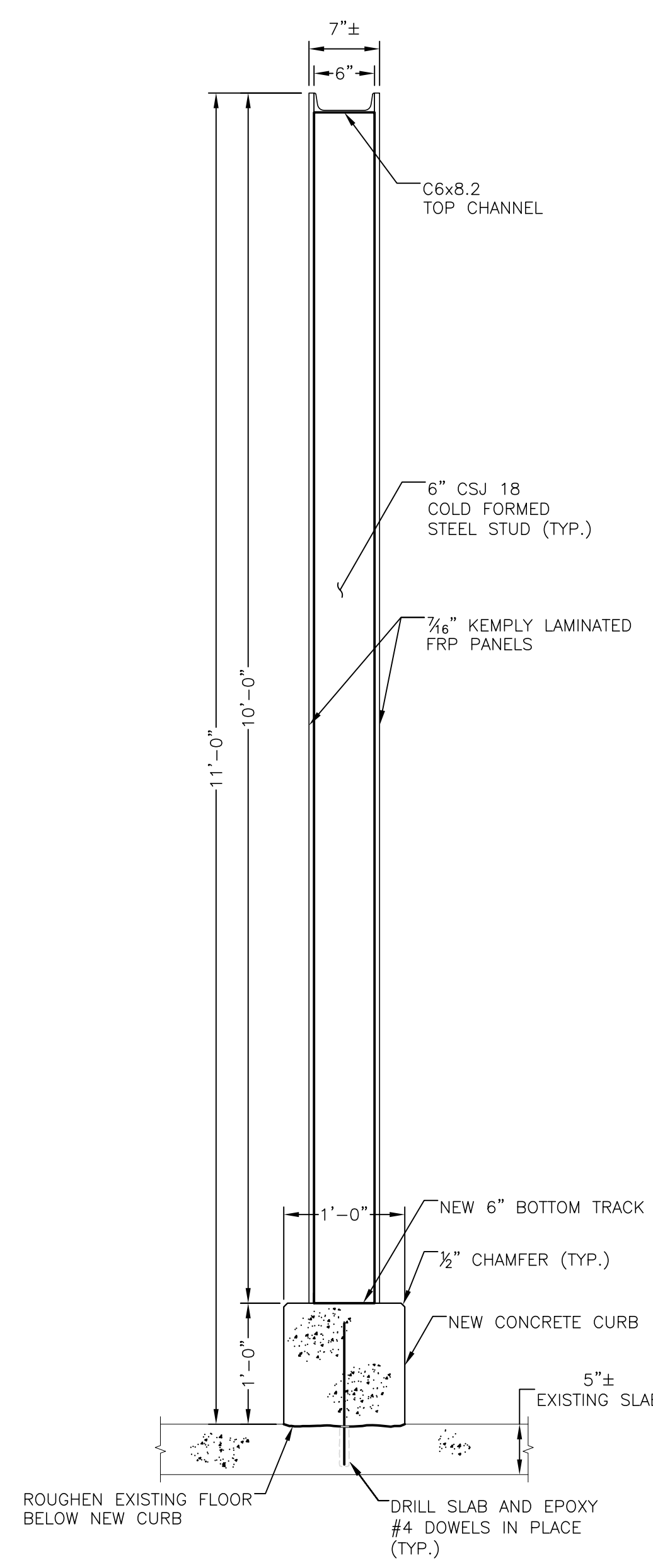
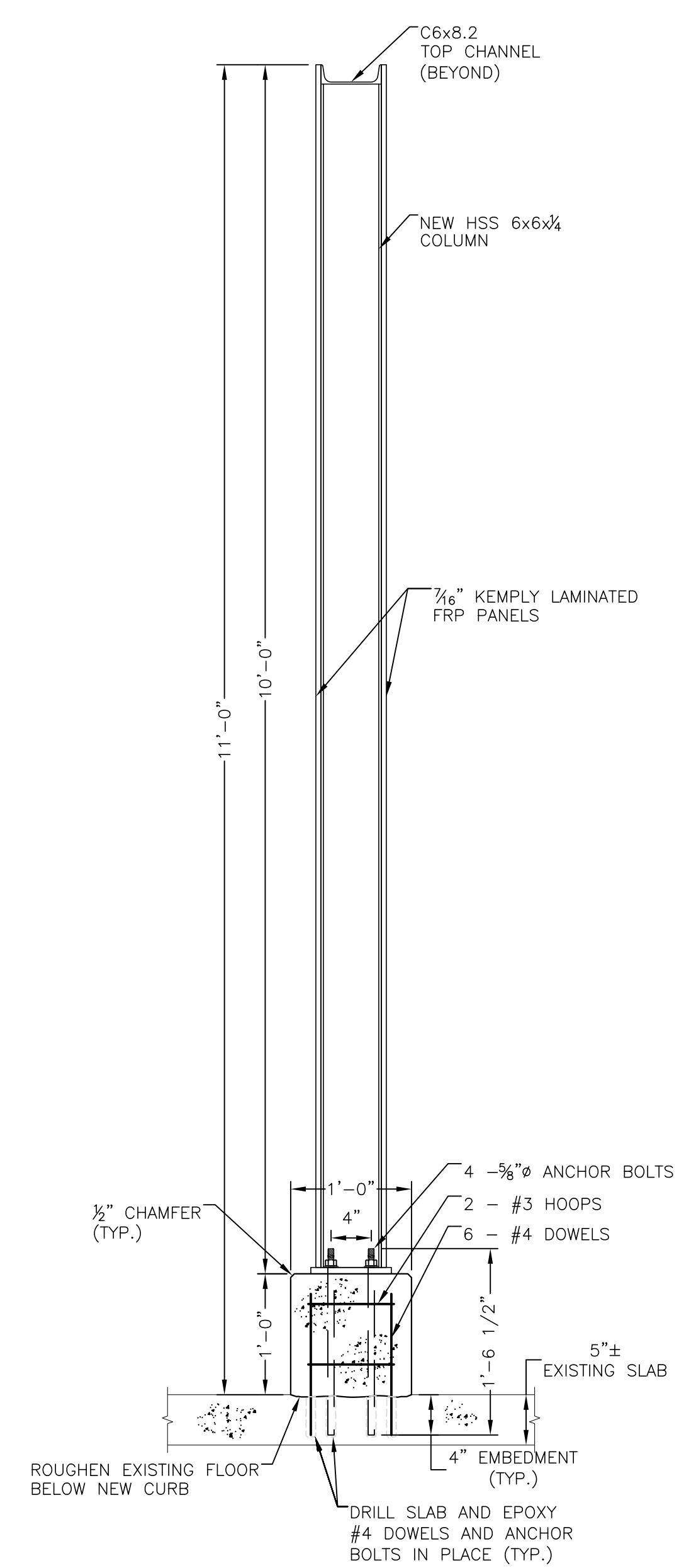


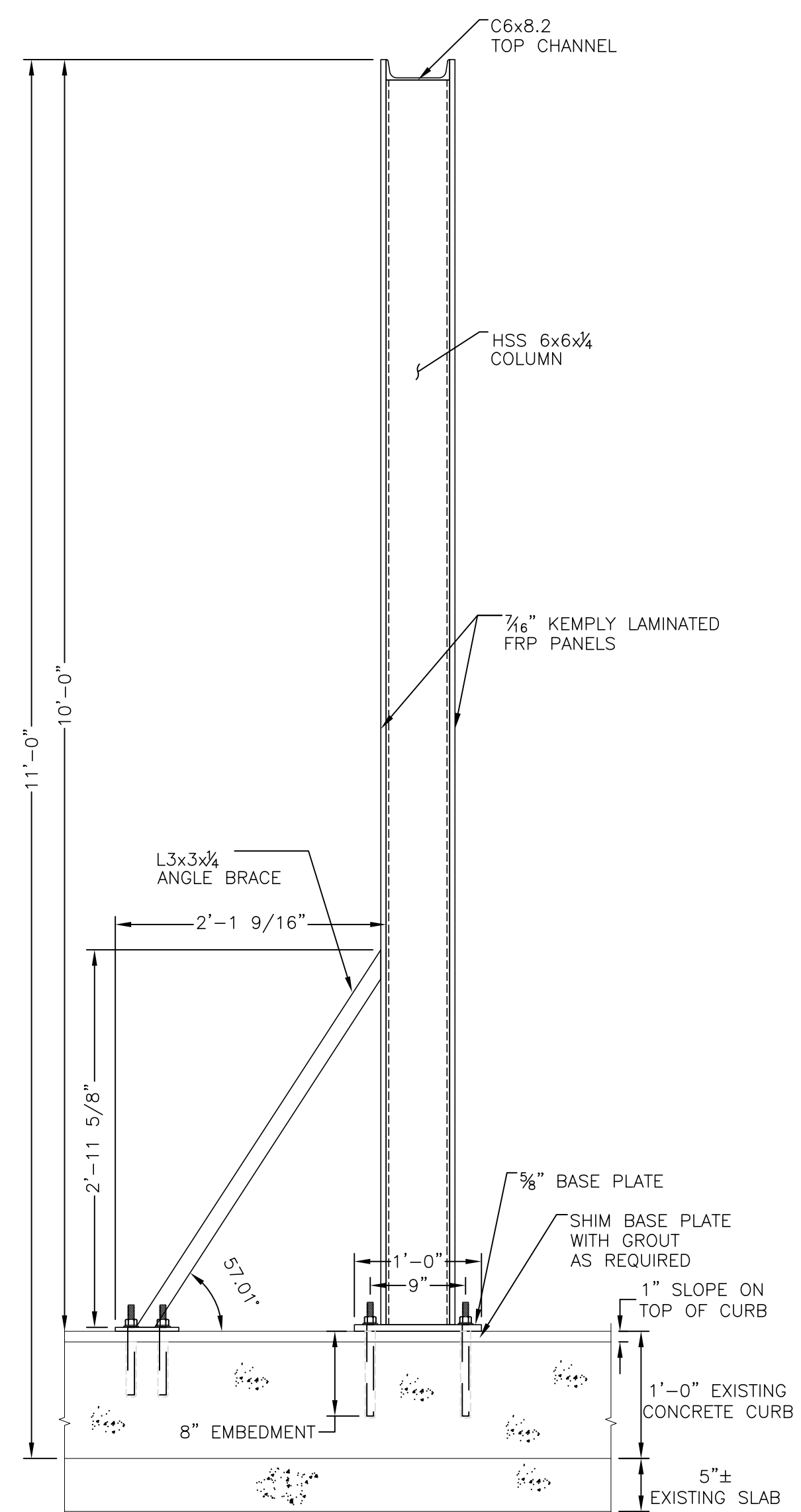
**VIEW A-A**  
 1/2"= 1'-0"  
 S-101  
 LOOKING AT NEW DEMISING WALL AT F-LINE



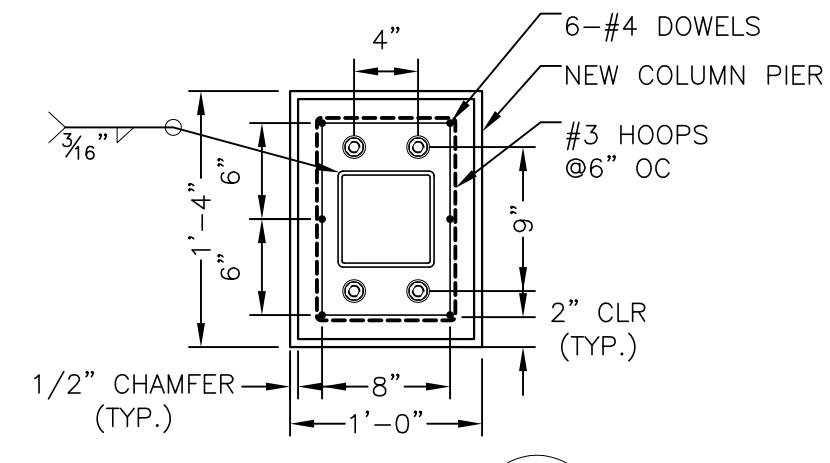
**SECTION C**  
 1"= 1'-0"  
 TYPICAL DEMISING WALL  
 S-101



**SECTION D**  
 1"= 1'-0"  
 DEMISING WALL COLUMN  
 S-101



**VIEW B-B**  
 1"= 1'-0"  
 S-101



**DETAIL 1**  
 1"= 1'-0"  
 DEMISING WALL COLUMN BASE  
 S-101

DATE	REVISION	DRAWING STATUS	EST. NO	ENGINEERING DESIGNS FOR	JOB NO.
04/29/13	FOR CITY OF PORTLAND BUILDING PERMIT			BRISTOL SEAFOOD Portland, Maine	M-131003
			SIZE		ENGINEERING
			TYPE		DWG. NO.
			DRAWN BY RDL	TITLE	S-102
			REVIEWED BY DCS	PROPOSED DEMISING WALL AND STAIR RELOCATION	
			SCALE AS NOTED	DESIGN BUILDER	
			DATE 04/29/13		

