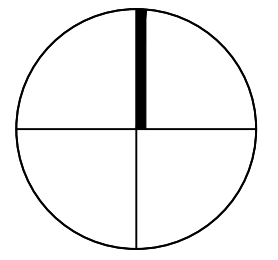


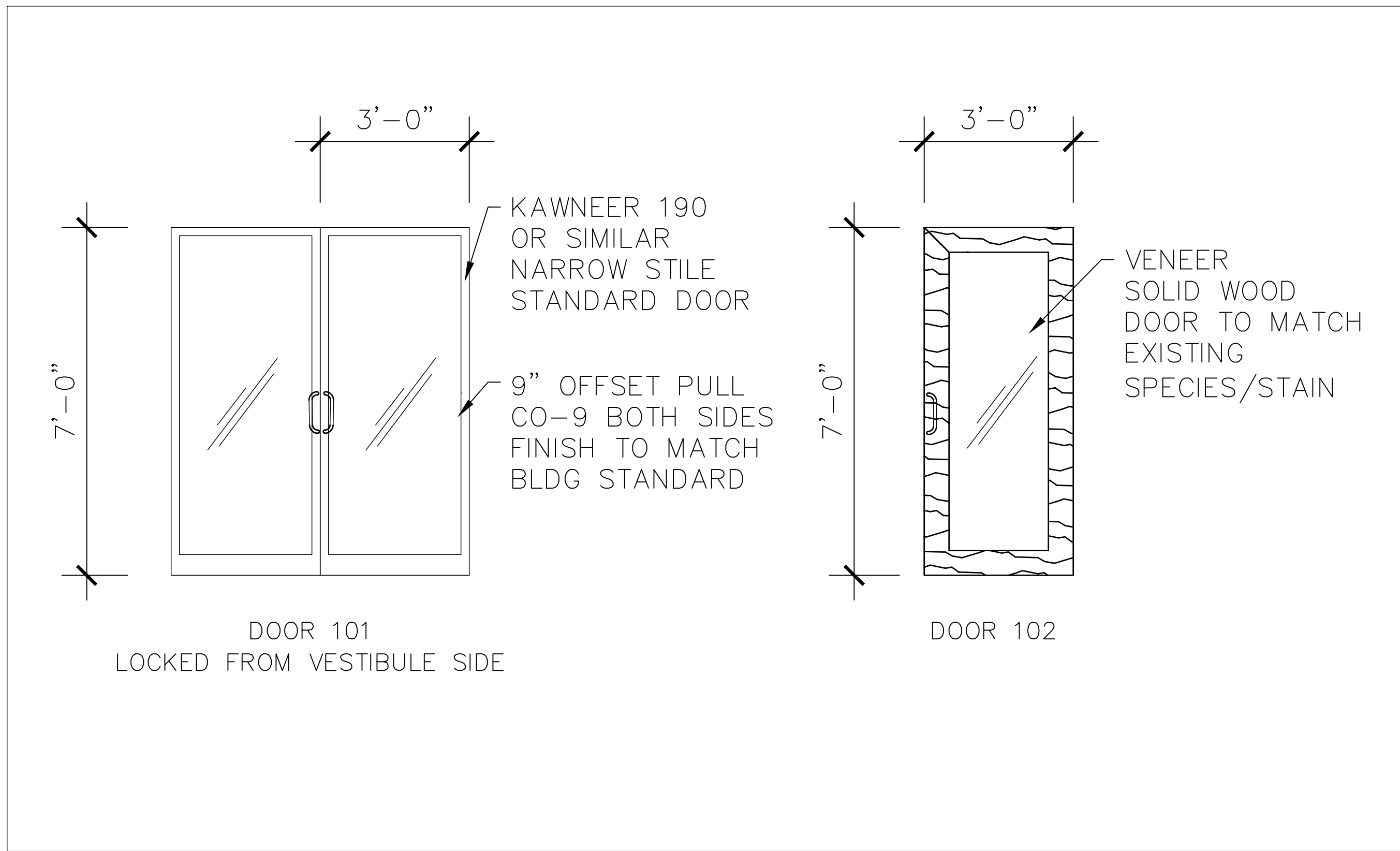


NO.	DATE	REVISIONS

PROJECT NORTH



MARINE TRADE CENTER
2 PORTLAND FISH PIER
PORTLAND, ME



TITLE
1ST FLOOR
DOOR TYPES

SCALE
AS NOTED



CHECKED BY
DRAWN BY JAT

165 SPURWINK RD.
SCARBOROUGH, ME

P: (207) 408-5950

DATE
12/22/14

A800

14.201

A1 DOOR TYPES - 1ST FLOOR
1/2" = 1'-0"

C:\Users\jatt\Documents\Projects\Marine Trade Center\100 Set\100SET.DWG