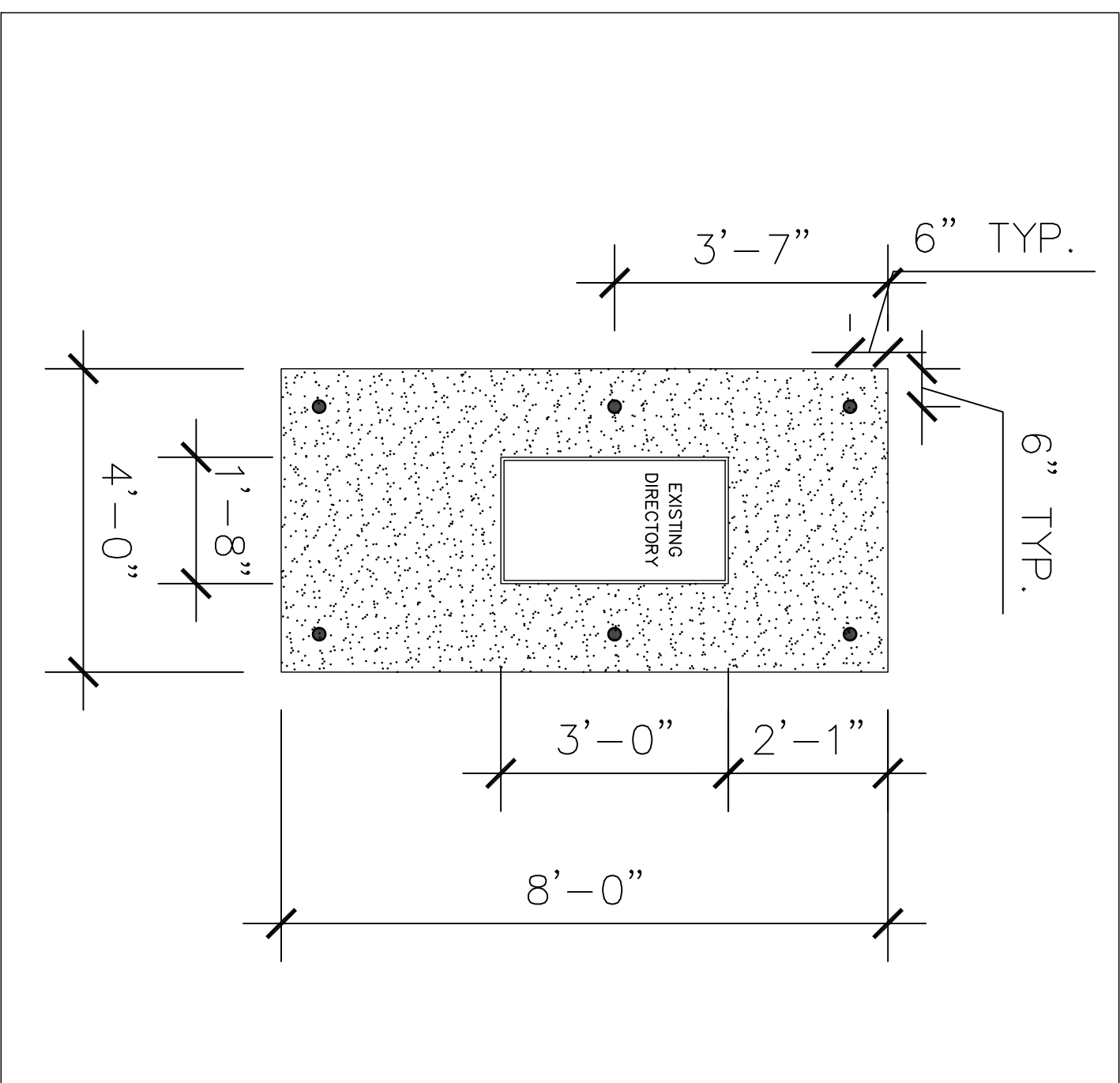


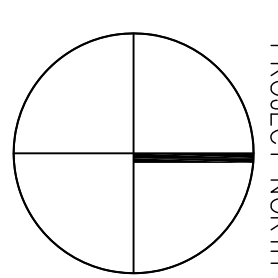
A2 SECTION - LUMICOR PANEL - 1ST FLOOR  
1/2" = 1'-0"




A1 ELEVATION - LUMICOR PANEL - 1ST FLOOR  
1/2" = 1'-0"



NO	DATE	REVISIONS



MARINE TRADE CENTER  
2 PORTLAND FISH PIER  
PORTLAND, ME

 165 SPURWINK RD. SCARBOROUGH, ME P: (207) 408-5950	TITLE 1ST FLOOR MISC. DETAILS	SCALE AS NOTED
	DATE 12/22/14	DRAWN BY JAT

A702  
14.201