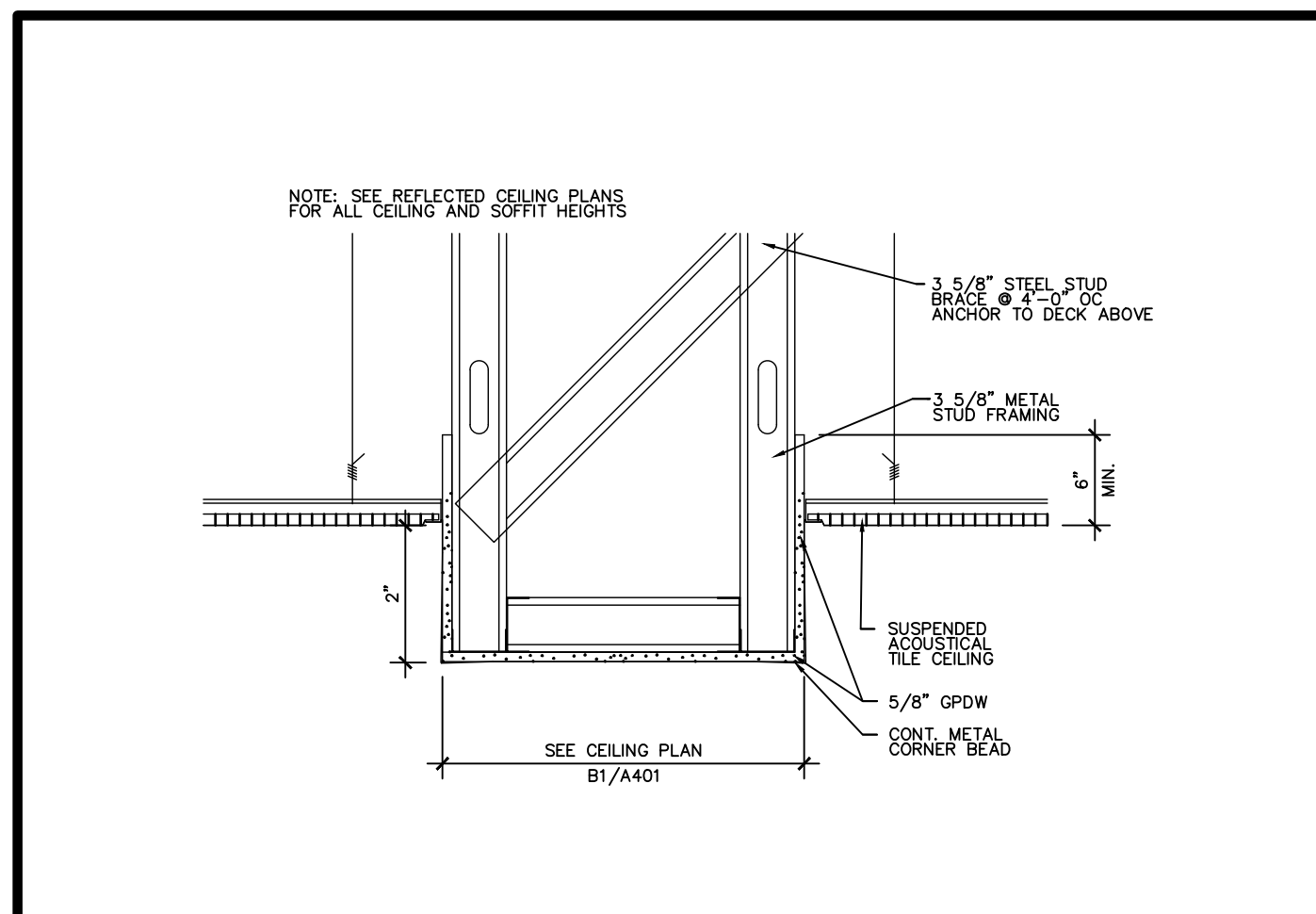
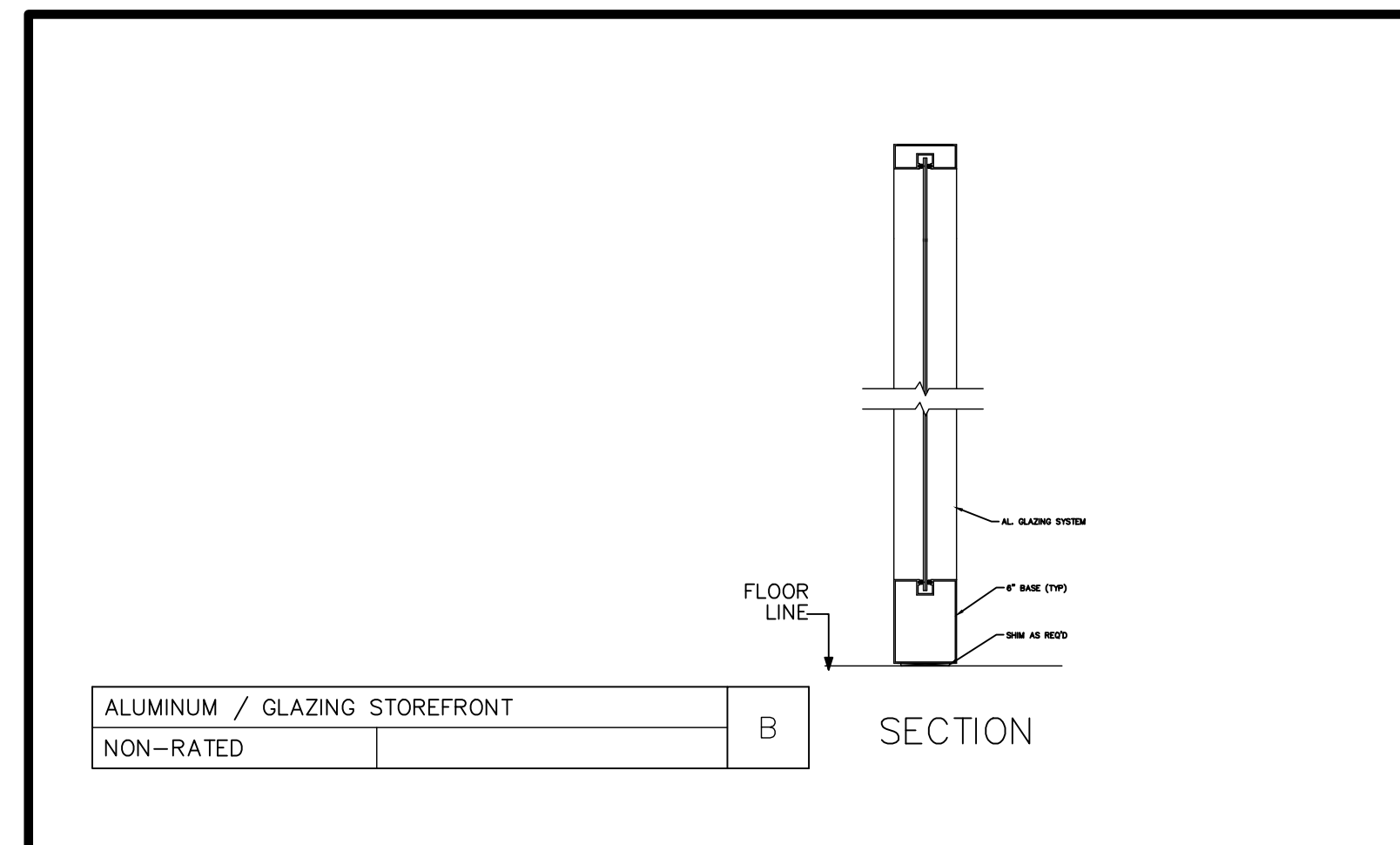


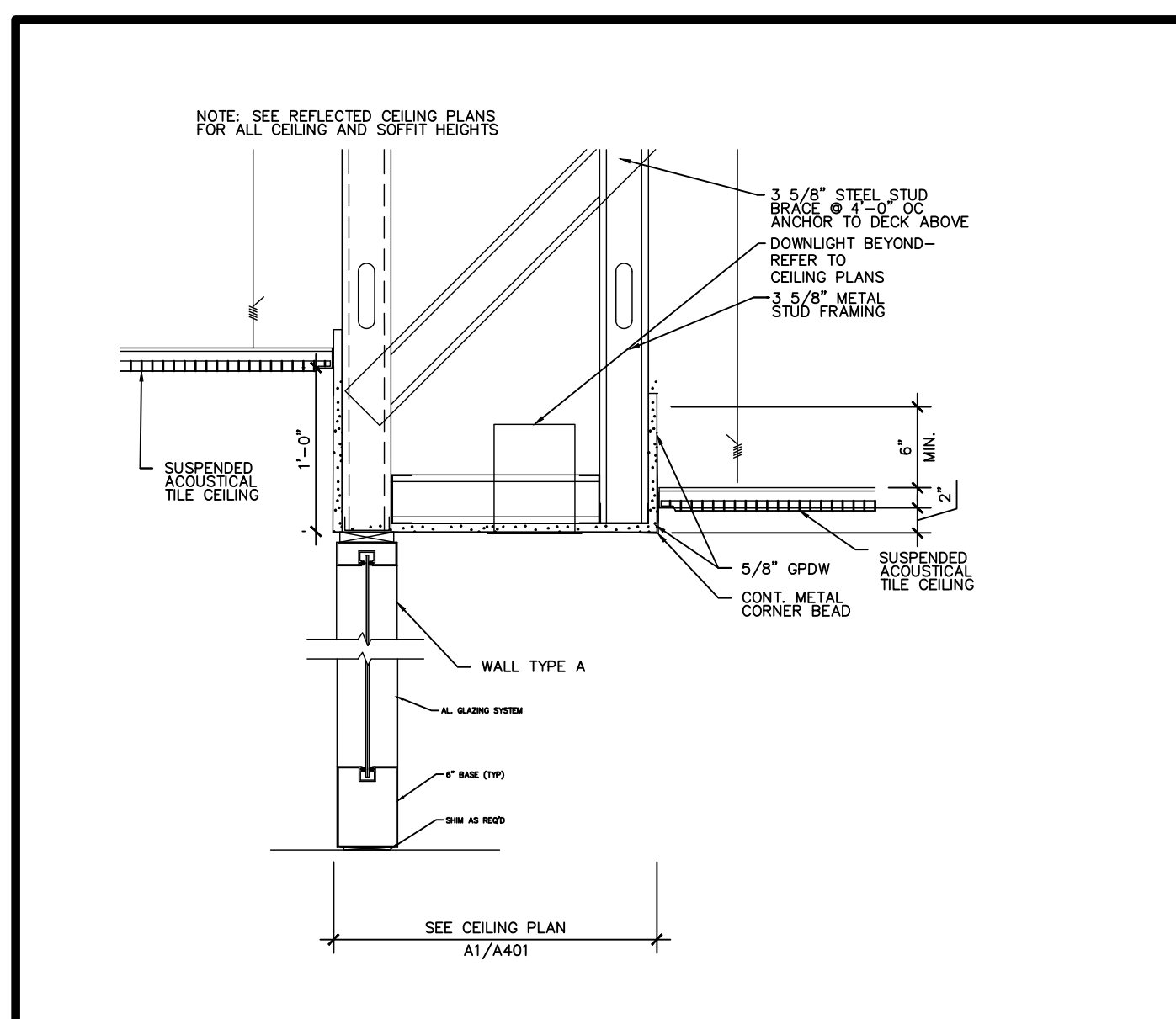
LICENSED CERTIFIED INTERIOR DESIGNER
JANE A. TUPPER
CID2913
Jane Tupper



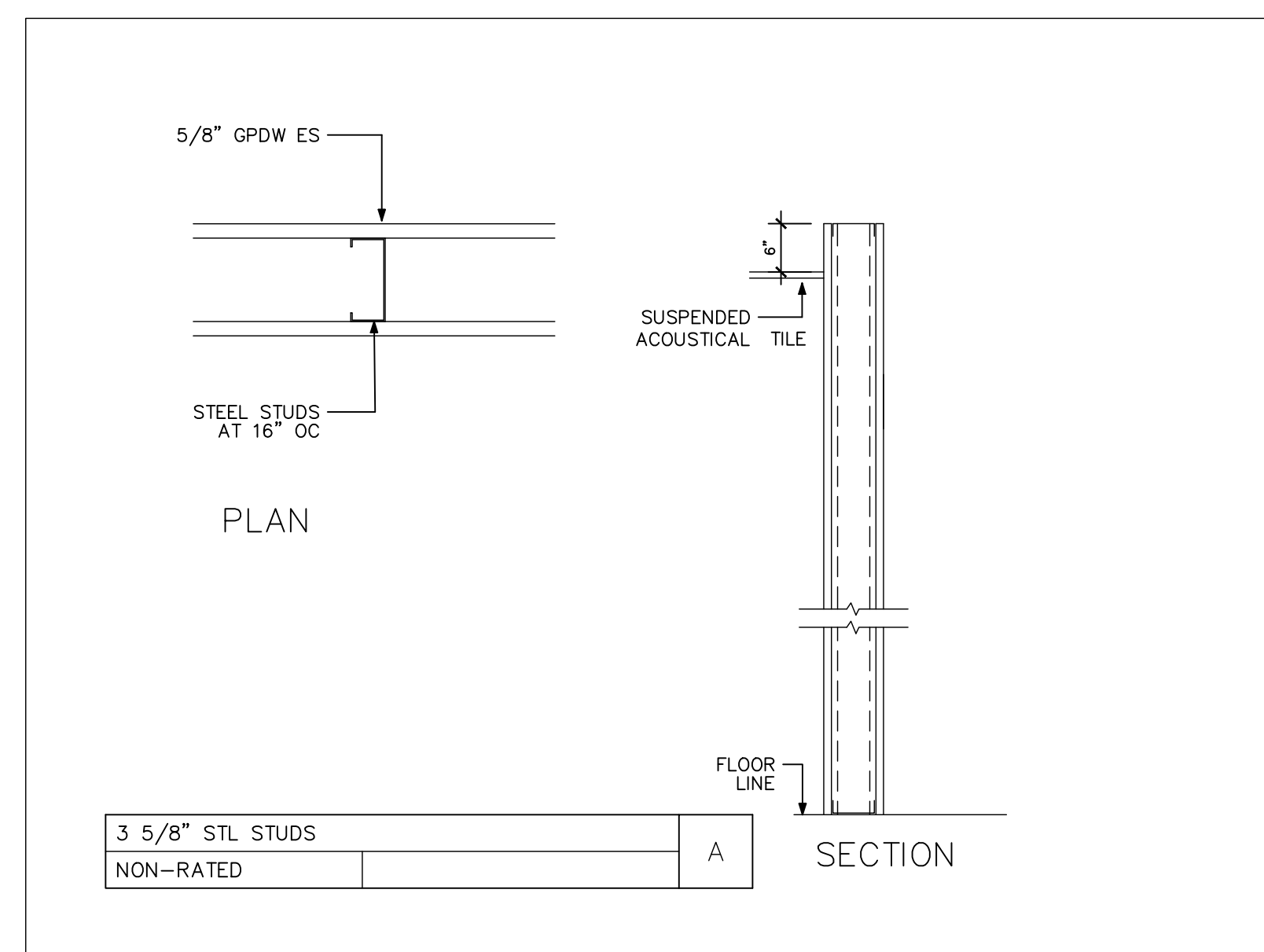
B2 SOFFIT DETAIL
1"=1'-0"



B1 WALL/PARTITION TYPE DETAILS
1"=1'-0"



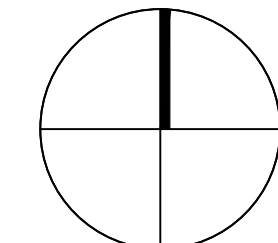
A2 SOFFIT DETAIL
1"=1'-0"



A1 WALL/PARTITION TYPE DETAILS
1"=1'-0"

NO.	DATE	REVISIONS

PROJECT NORTH



MARINE TRADE CENTER
2 PORTLAND FISH PIER
PORTLAND, ME

TITLE WALL/PARTITION TYPE DETAILS	SCALE AS NOTED
---	-------------------

**rex
fab**

165 SPURWINK RD.
SCARBOROUGH, ME

P: (207) 408-5950

DRAWN BY: JAT
CHECKED BY:
DATE: 12/22/14

A701

C:\Users\jane\Documents\Projects\Marine Trade Center\A701_Soffit.dwg