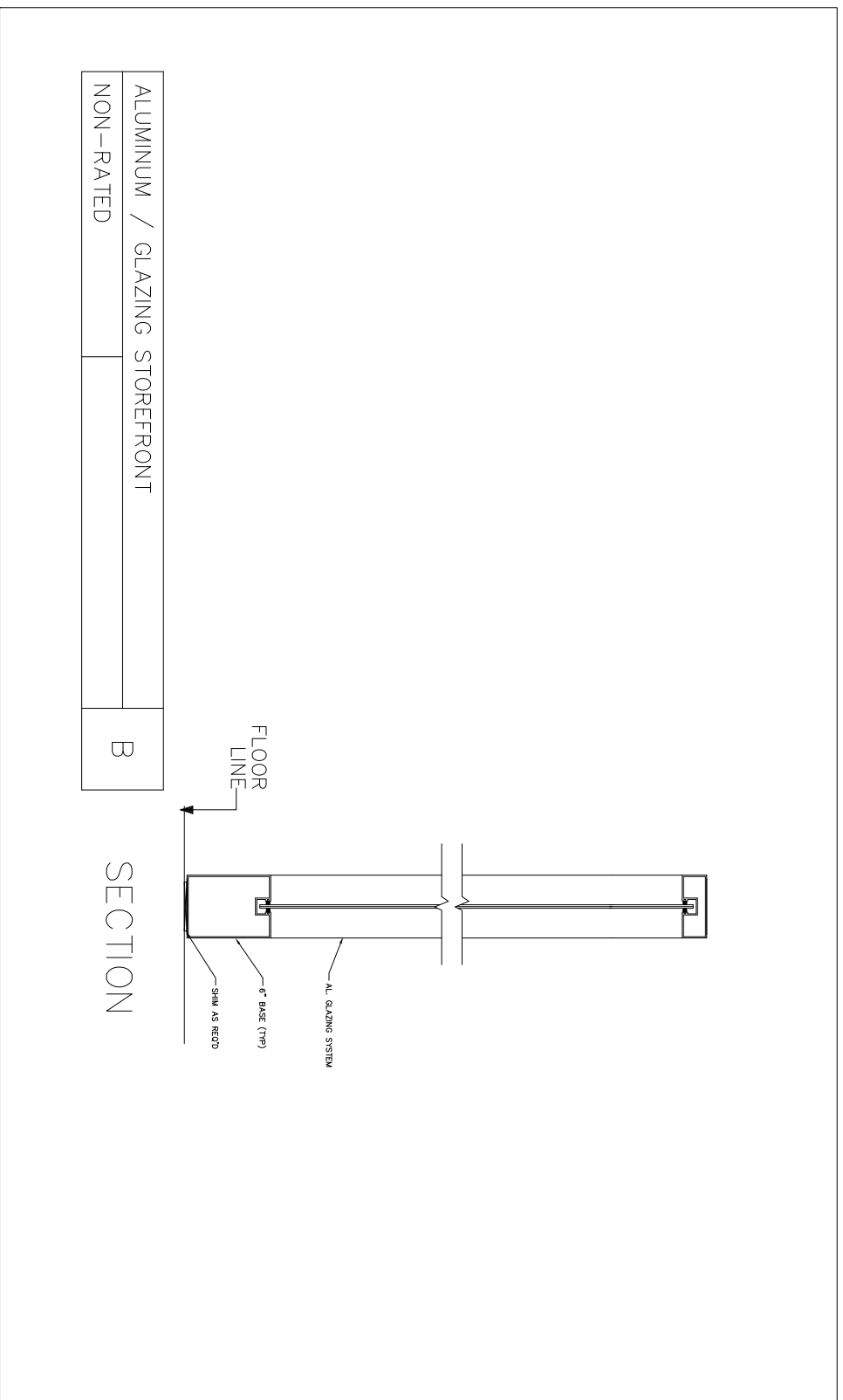
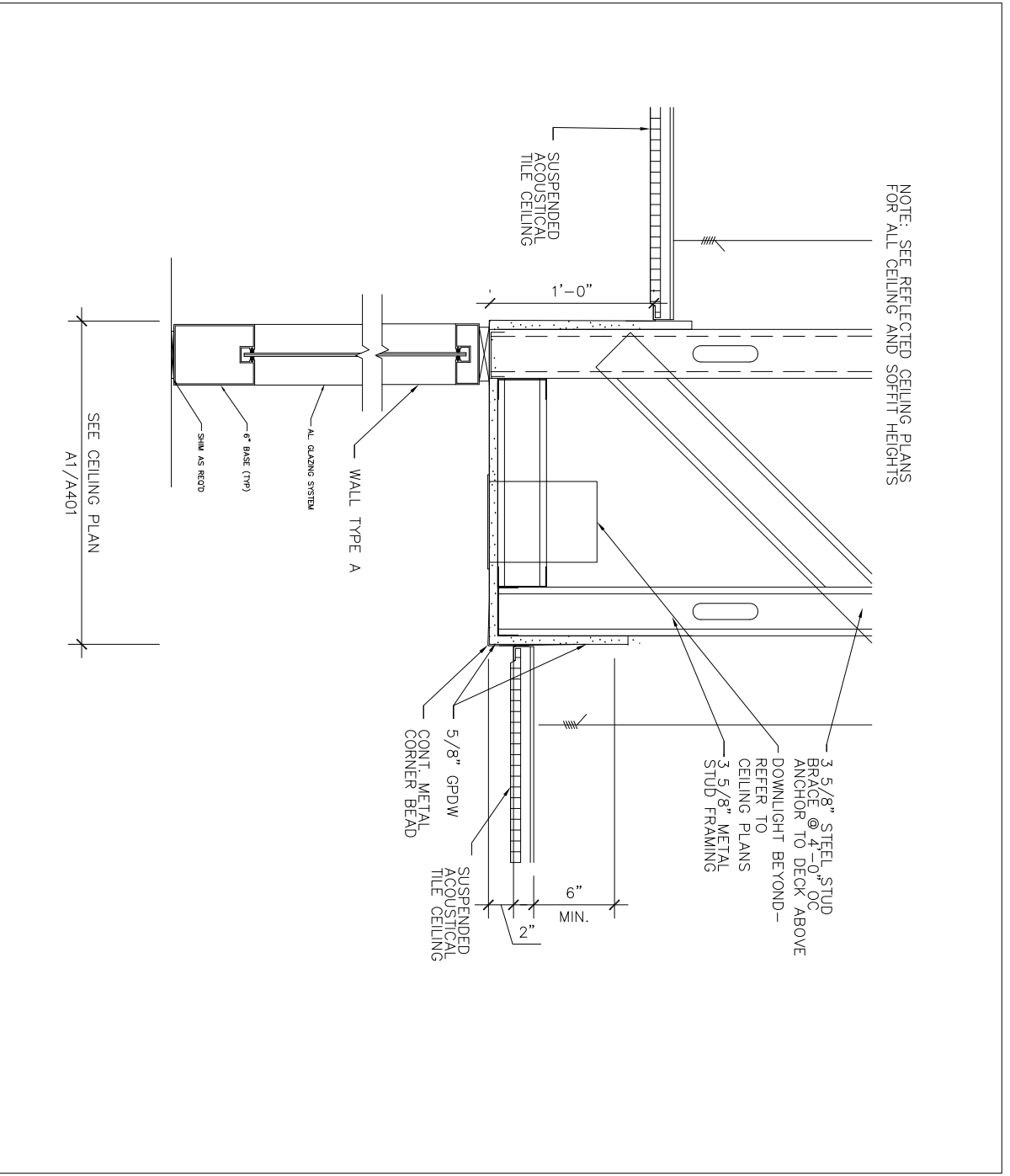


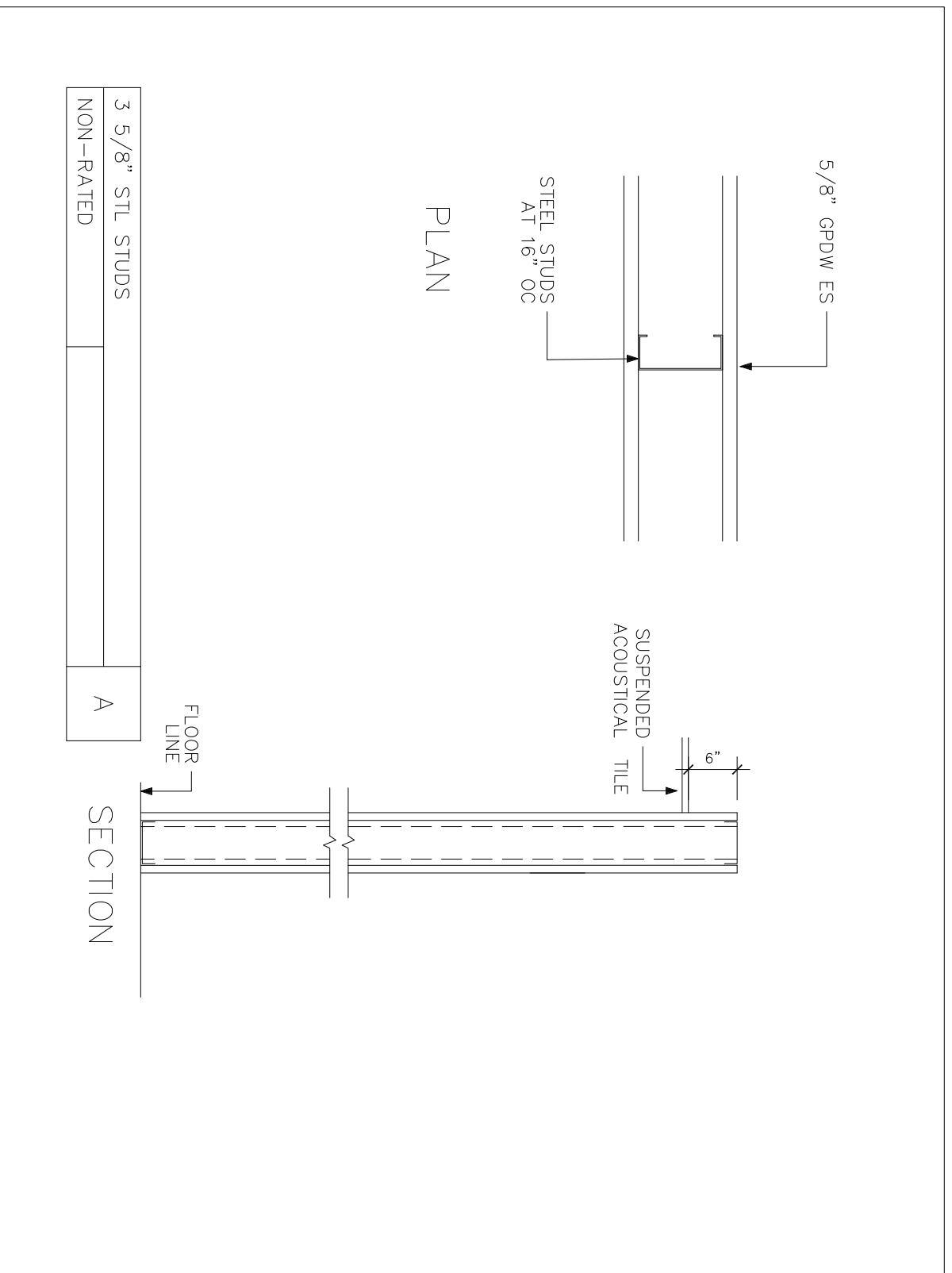
**B2**  
1"=1'-0"  
SOFFIT DETAIL



**B1**  
1"=1'-0"  
WALL/PARTITION TYPE DETAILS

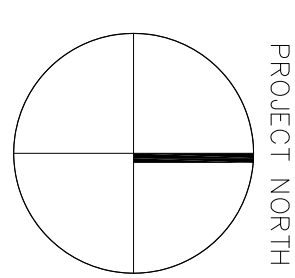


**A2**  
1"=1'-0"  
SOFFIT DETAIL



**A1**  
1"=1'-0"  
WALL/PARTITION TYPE DETAILS

NO	DATE	REVISIONS



MARINE TRADE CENTER  
2 PORTLAND FISH PIER  
PORTLAND, ME

TITLE  
WALL/PARTITION  
TYPE DETAILS

SCALE  
AS NOTED

DATE  
12/22/14

DRAWN BY  
JAT

CHECKED BY  
-

165 SPURWINK RD.  
SCARBOROUGH, ME  
P: (207) 408-5950