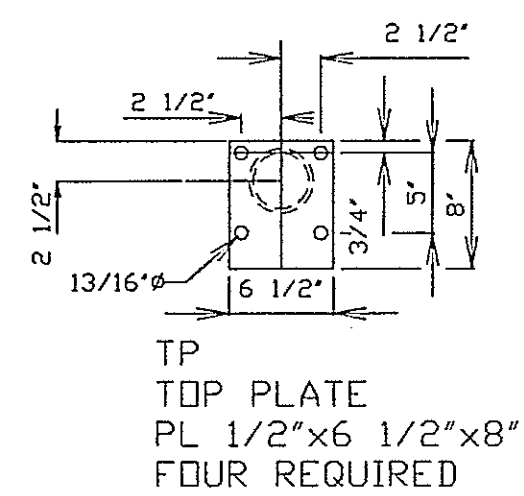
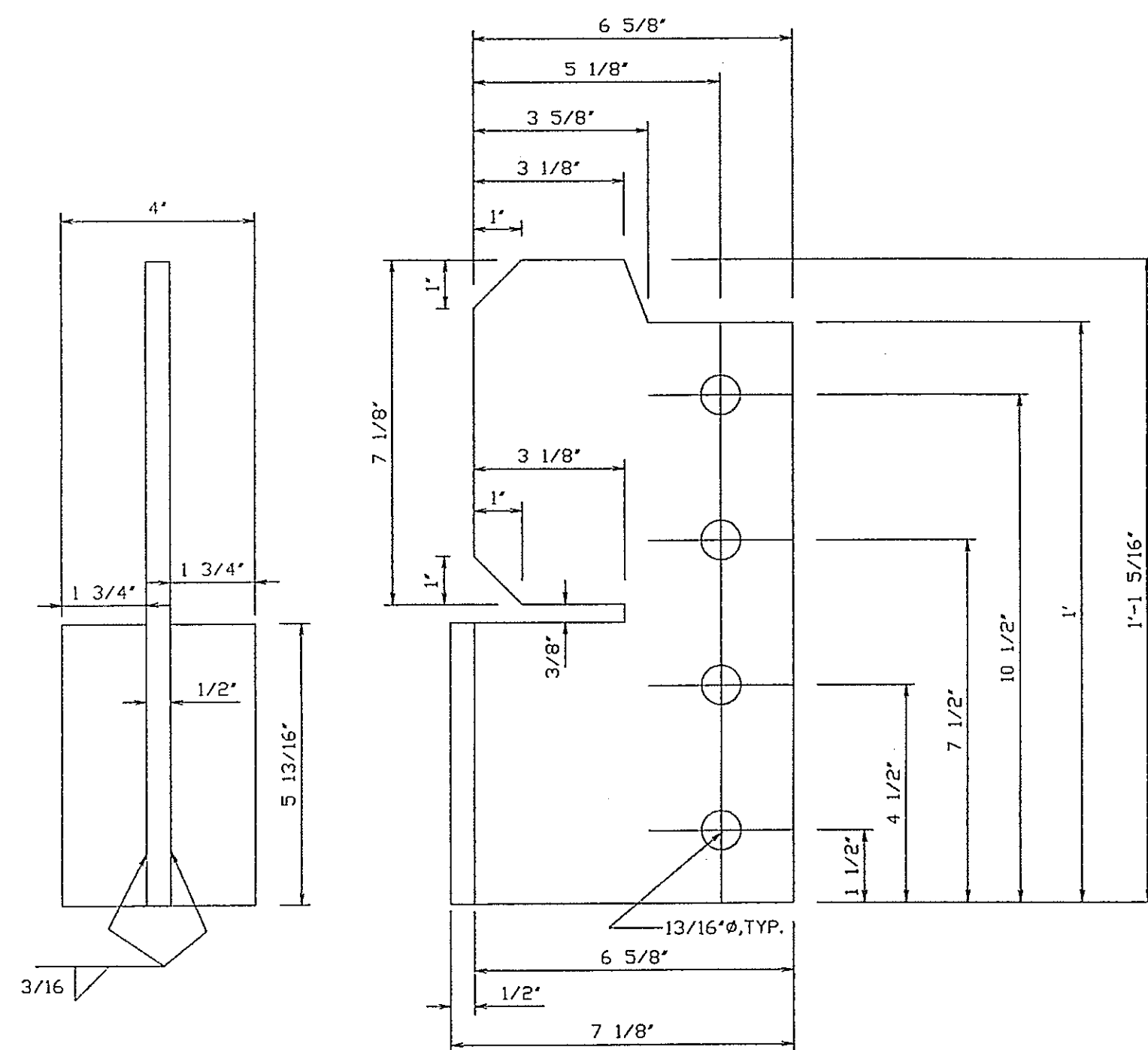


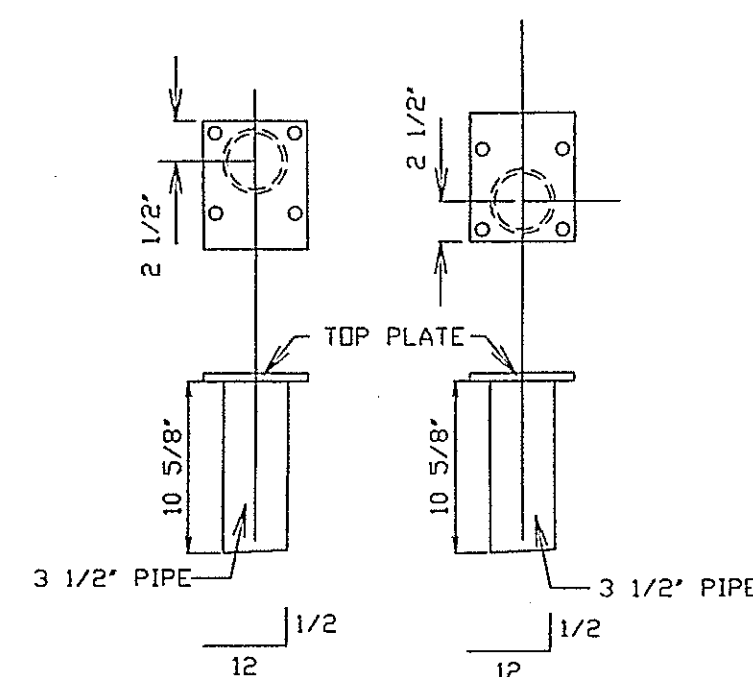
FASTENER TAKEOFF
32-A325 3/4"Ø x 2"

MATERIAL SCHEDULE

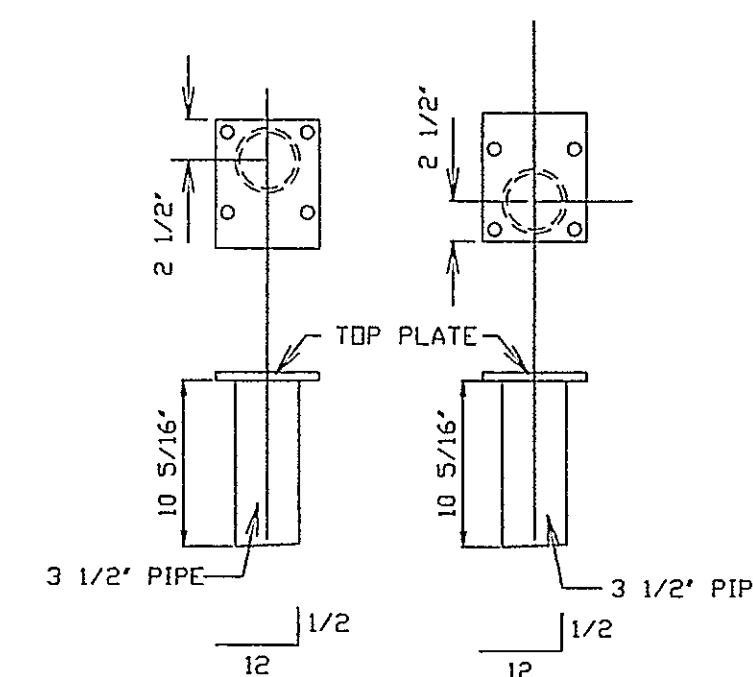
| SHIPPING MARK | QTY. | SUB-ASSEM. | SHAPE | LENGTH | | CUT FROM | | | REMARKS | WT. |
|---------------|------|------------|-------------|--------|---------|----------|-----|-----|---------|-----|
| | | | | FT. | IN. | NO. | FT. | IN. | | |
| B1 | 1 | | W8x24 | 20 | 5 | | | | | |
| B2 | 2 | | W16x26 | 8 | 11 3/4 | | | | | |
| B3 | 1 | | W8x24 | 20 | 5 | | | | | |
| TP | 4 | | PL1/2x6 1/2 | 0 | 8 | | | | | |
| PIPE | 2 | | 3 1/2"Ø | 0 | 10 5/8 | | | | | |
| PIPE | 2 | | 3 1/2"Ø | 0 | 10 5/16 | | | | | |
| P1 | 4 | | PL1/2x6 5/8 | 1 | 1 5/16 | | | | | |
| P1 | 4 | | PL1/2x4 | 0 | 5 13/16 | | | | | |
| TOTAL WEIGHT | | | | | | | | | | |



TP
TOP PLATE
PL 1/2"x6 1/2"x8"
FOUR REQUIRED

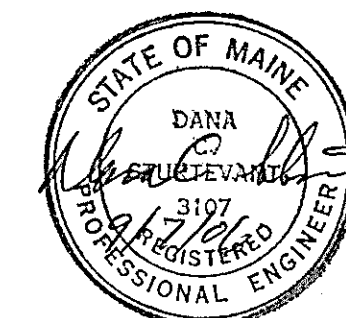


LOWER COL. ASSEMBLIES
ONE OF EACH



UPPER COL. ASSEMBLIES
ONE OF EACH

P1
PL1/2"x6 5/8"x13 5/16"
PL 1/2"x4"x5 13/16"
FOUR REQUIRED



| | | | | |
|--------------------|---------------|-------------------------|-----------|---------------|
| PRINT DISTRIBUTION | MATERIAL | A36 OR A50 | HOLES | N.A. |
| | BOLTS | N.A. | ELECTRODE | E70-XX |
| | SURFACE PREP | SP-3 | REF. DWG. | N.A. |
| | PRIMER | COLD GALVANIZE | | |
| | FINISH | | | |
| | DESCRIPTION | ROOF FRAME MODIFICATION | | |
| | PROJECT | VESSEL SERVICES | | |
| | LOCATION | PORTLAND, MAINE | | |
| | DESIGNER | | | |
| | CUSTOMER | | | |
| REV. Δ | | | | |
| CHK'D | | | | |
| DRWN | RAJP 02/17/06 | JOB NO. | 061017 | DWG. NO. STR1 |

