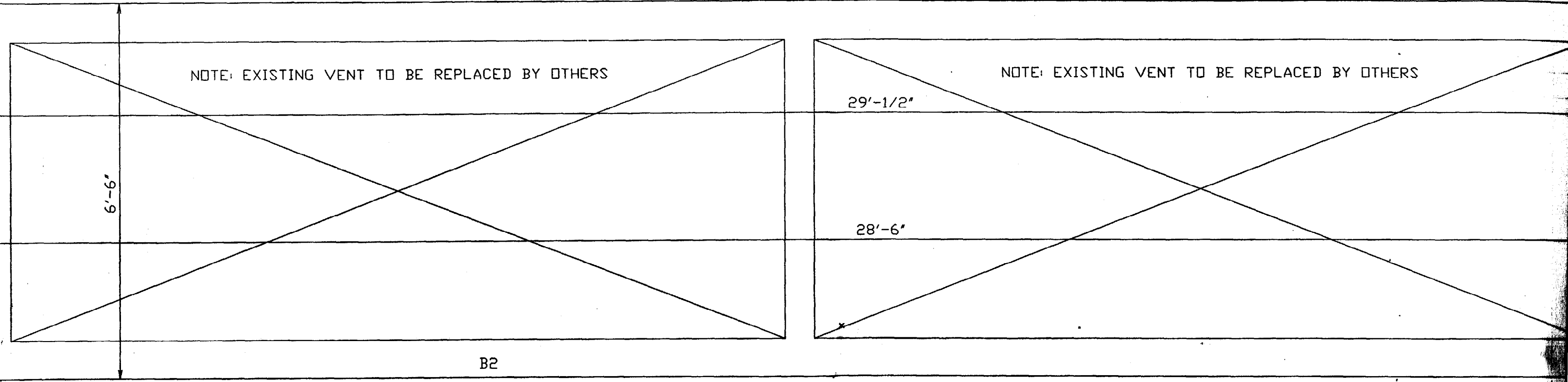


€  
FRAME

UPPER COL. WELDED TO ROOF BEAM

LOWER COL. WELDED TO ROOF BEAM

B2



NOTE: WELD EXISTING JOISTS TO BOTTOM  
FLANGE OF B2'S AND CUT JOISTS OUT BETWEEN B2'S.

B2

EXISTING ROOF BEAM

SIDE VIEW

END WALL (OCEAN)

FRAME

LOWER COL. WELDED TO ROOF BEAM

UPPER COL. WELDED TO ROOF BEAM

B2

NOTE: EXISTING VENT TO BE REPLACED BY OTHERS

NOTE: EXISTING VENT TO BE REPLACED BY OTHERS

29'-1/2"

6'-6"

19'-11"

19'-5 1/4"

19'-10 1/4"

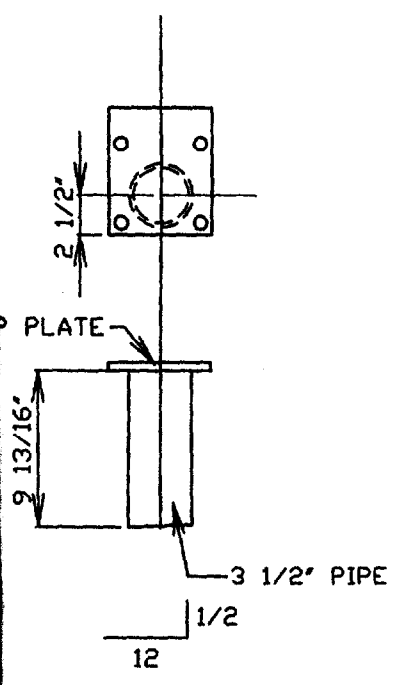
FASTEN

32-A325 3/4"Ø

TYP

### MATERIAL SCHEDULE

SHIPPING MARK	NO. PCS.	SUB-ASSEM.	SHAPE	LENGTH		NO.
				FT.	IN.	
B1	1		W8x24	19	11	
B2	2		W16x26	28	5 15/16	
B3	1		W8x24	19	11	
TP	4		PL1/2x6 1/2	0	8	
PIPE	2		3 1/2"Ø	0	10 1/8	
PIPE	2		3 1/2"Ø	0	9 13/16	
P1	4		PL1/2x6 5/8	1	1 5/16	
P1	4		PL1/2x4	0	5 13/16	



PRINT DISTRIBUTION	MATERIAL	A36 OR A50
	BOLTS	N.A.
	SURFACE PREP	SP-3
	PRIMER	COLD GALVANIZE
	FINISH	
	DESCRIPTION	ROOF FRAME MOD.
	PROJECT	VESSEL SERVICE
	LOCATION	PORTLAND, MAINE
	DESIGNER	
	CUSTOMER	

REV.

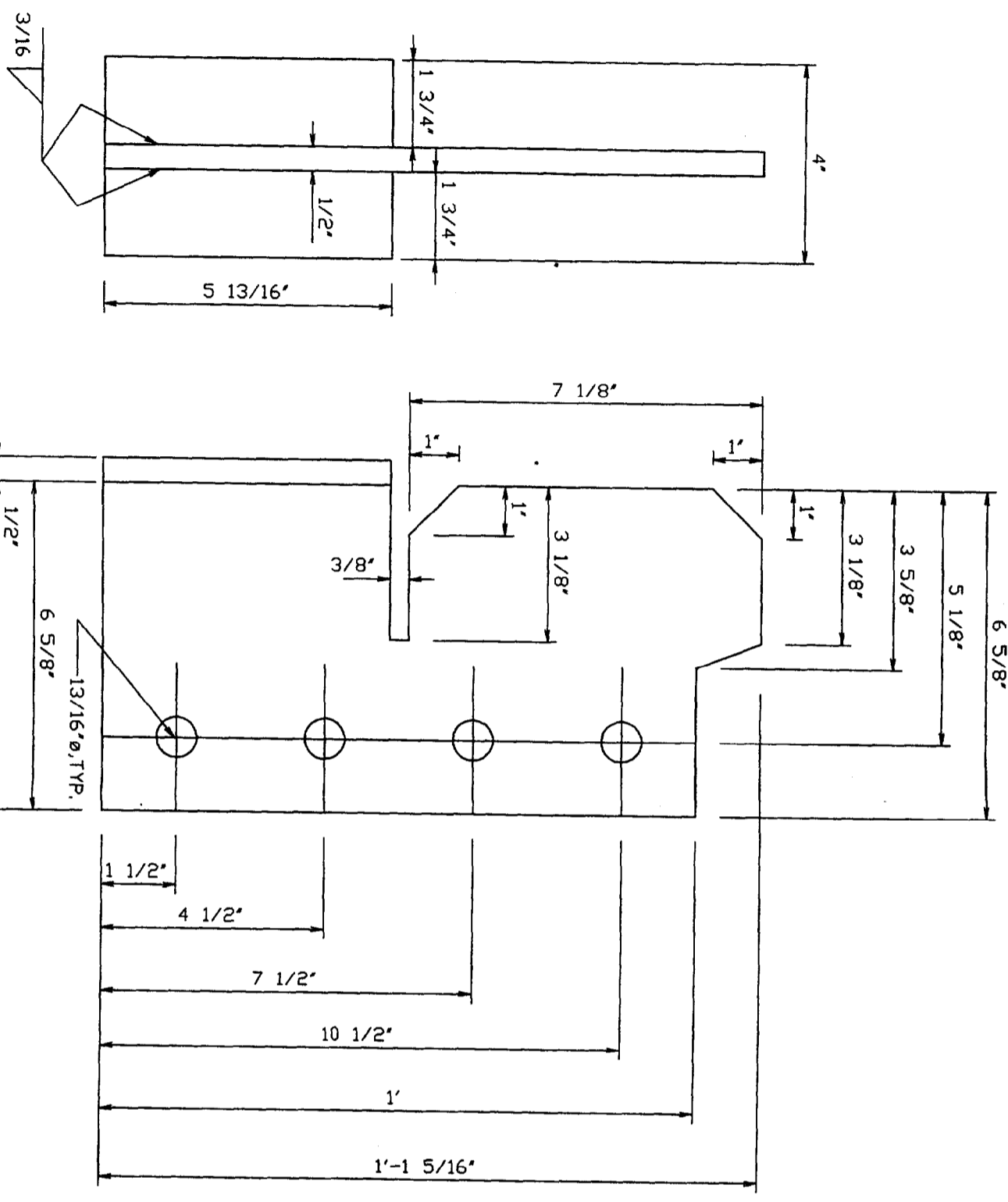
3/4"

9'-2 7/8"

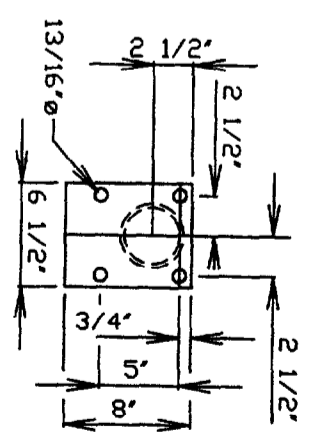
16'-2 3/8"

19'-5 1/4"

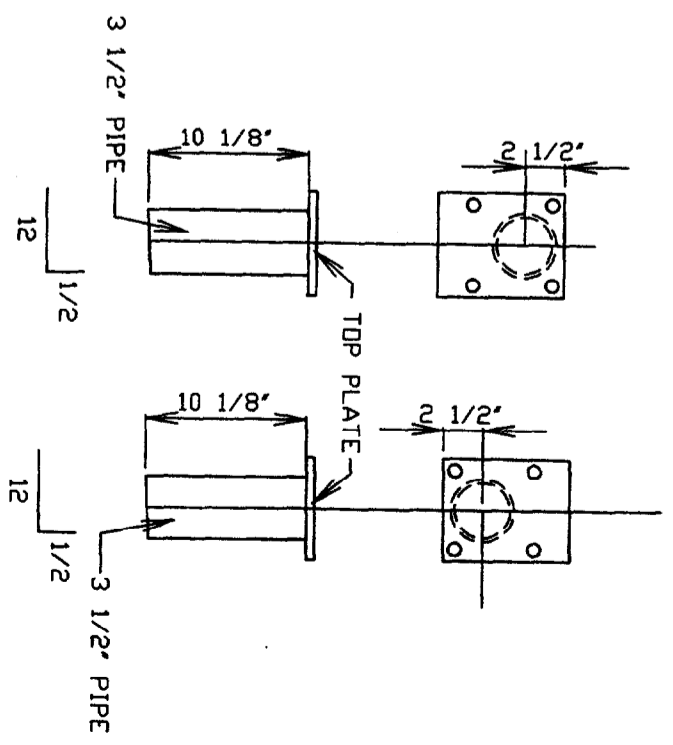
19'-10 1/4"



P1  
 PL 1/2"x6 5/8"x13 5/16"  
 PL 1/2"x4"x5 13/16"  
 FOUR REQUIRED

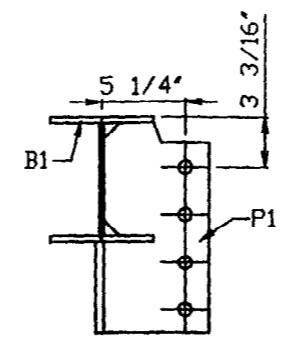
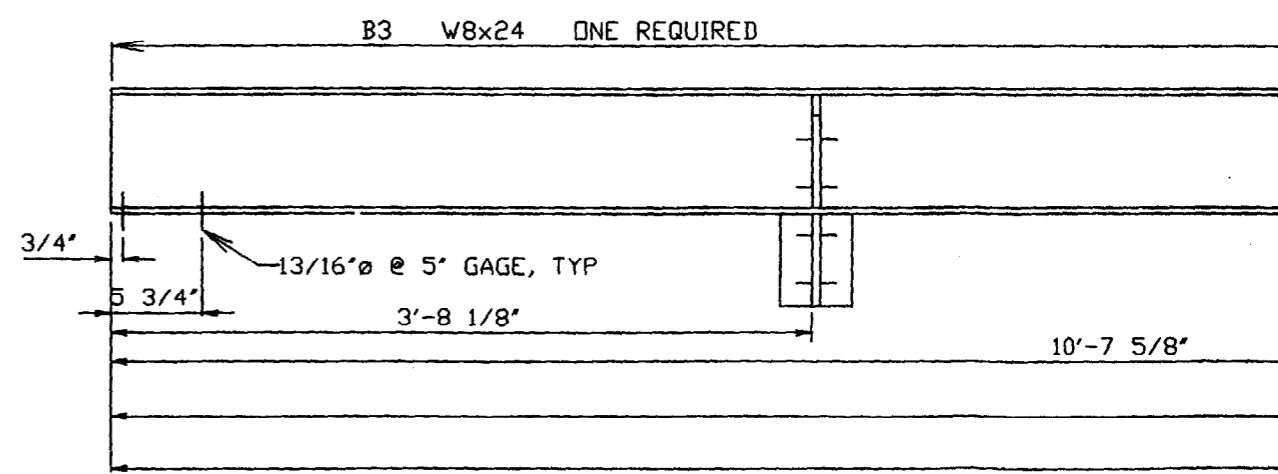
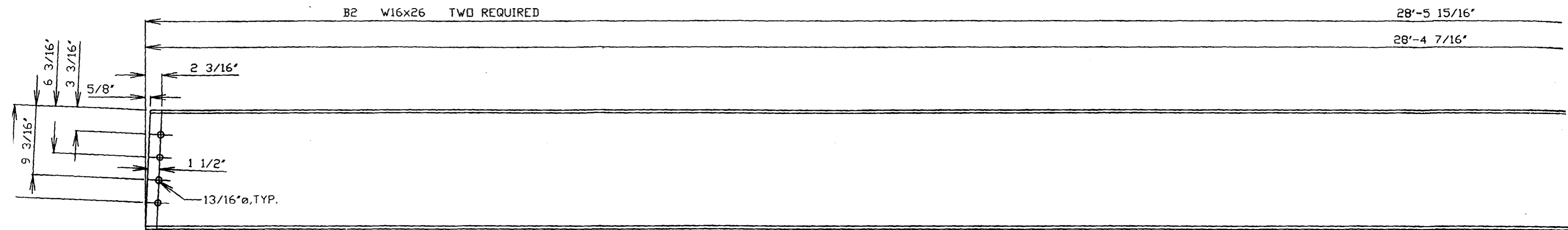


TP  
 TOP PLATE  
 PL 1/2"x6 1/2"x8"  
 FOUR REQUIRED

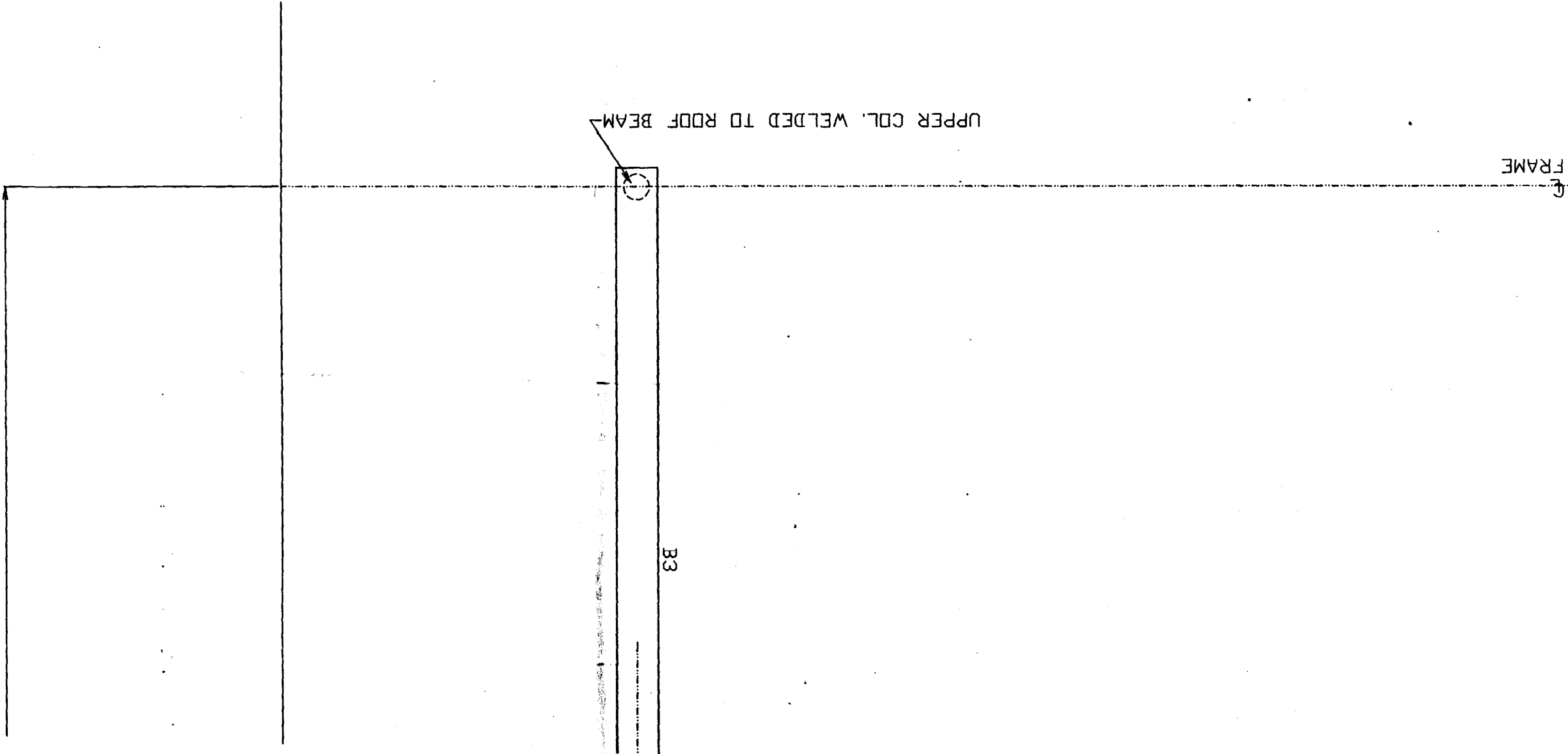


LOWER COL. ASSEMBLIES  
 ONE OF EACH

3 1/2"

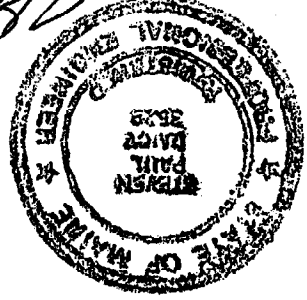


PLAN VIEW



WARNING: THIS DRAWING IS THE PROPERTY AND INSTRUMENT OF SHERIDAN CORPORATION FOR USE WITH THE PROJECT IDENTIFIED BELOW. NO MODIFICATIONS OR CHANGES MAY BE MADE TO THIS DRAWING AND NO USE MAY BE MADE OF THIS DRAWING WITHOUT THE EXPRESS WRITTEN PERMISSION OF SHERIDAN CORPORATION IS WRONGFUL AND IS AT THE USER'S RISK. SHERIDAN DISCLAIMS ANY AND ALL LIABILITY FOR SUCH USE.

DATE	REVISION	EST. NO	SIZE	TYPE	DRAWN BY	APPROVED BY	SCALE	DATE	FILE NAME
					RAJP		NTS	02 OCT 03	N:\ROGGER\2003\031036 Vessel Services.dwg
JOB	Engineering Designs For								
031	VESSEL SERVICES								
DWG	PORTLAND, MAINE								
S	PLAN & SIDE VIEW								
									DESIGN BUILDER



*R. Rajp*  
10-3-03