

3
2
1
0
SCALE 1"=1'

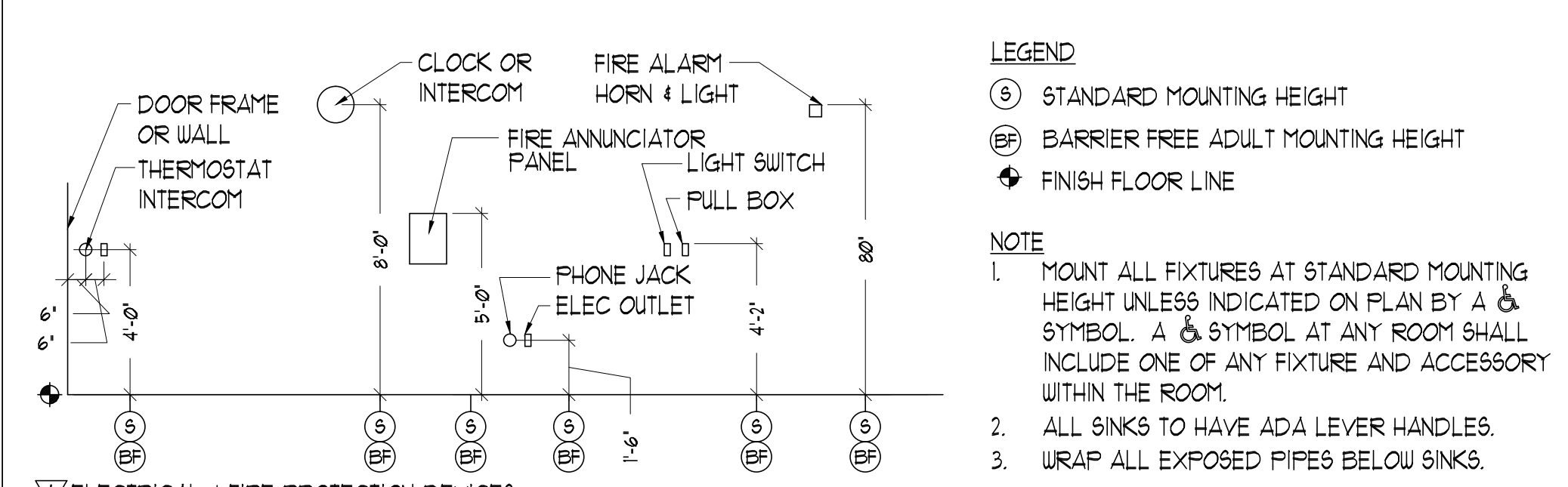
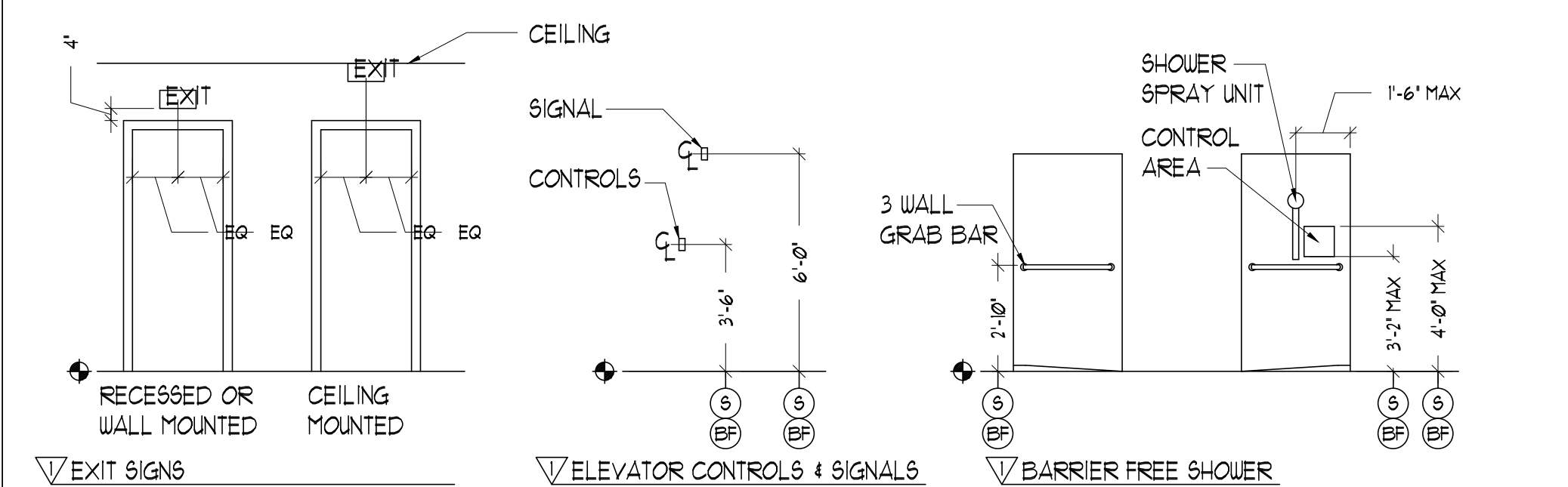
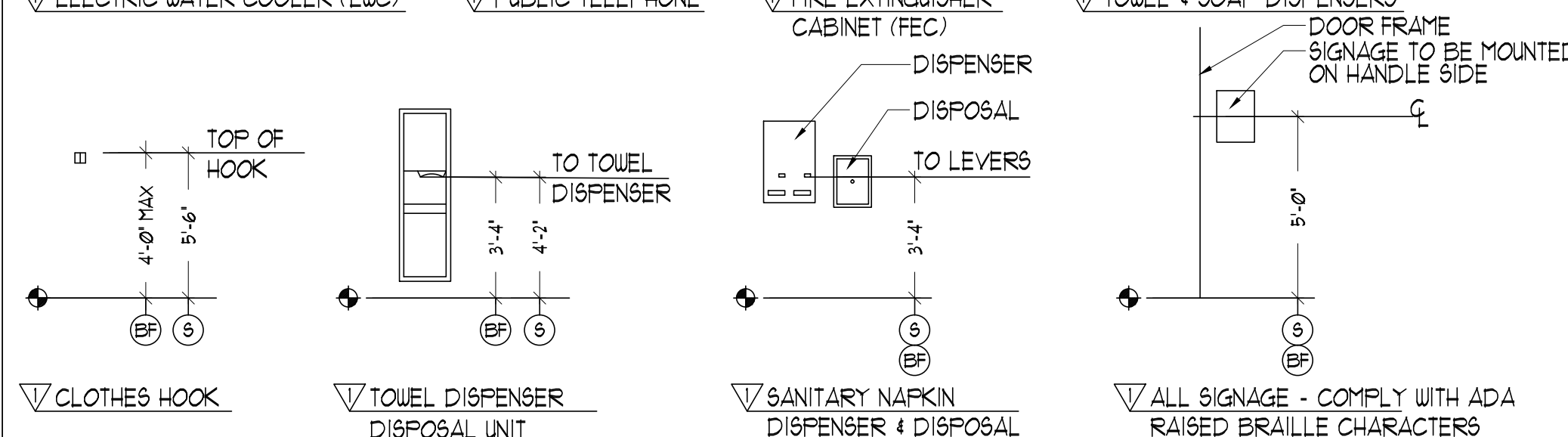
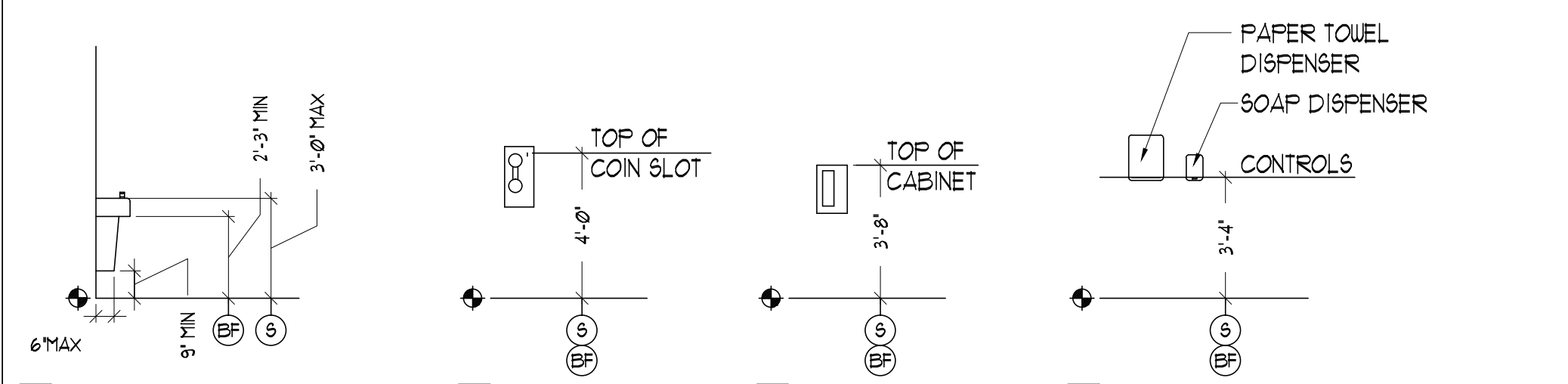
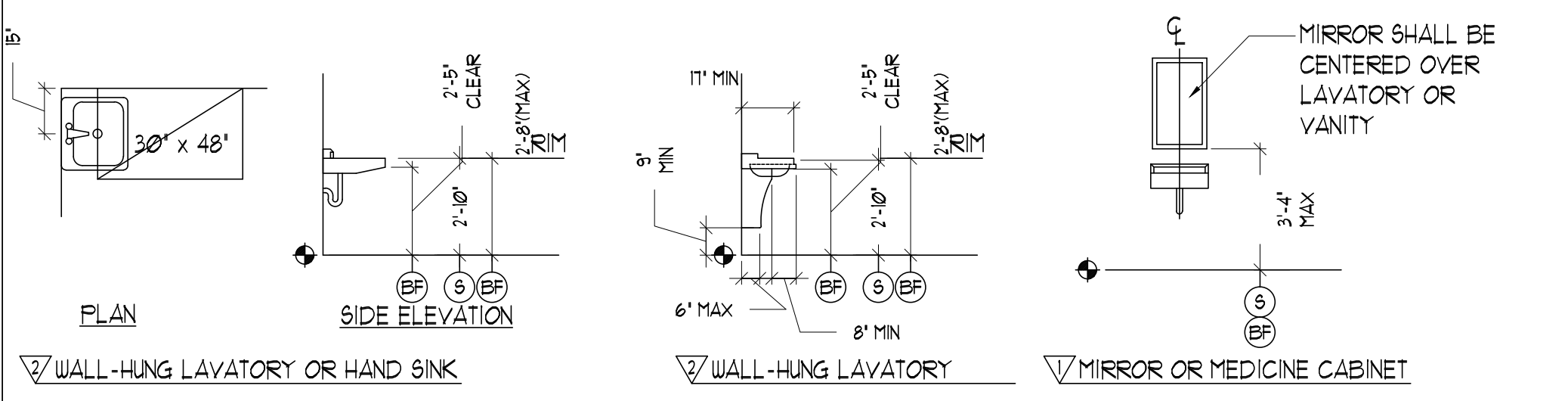
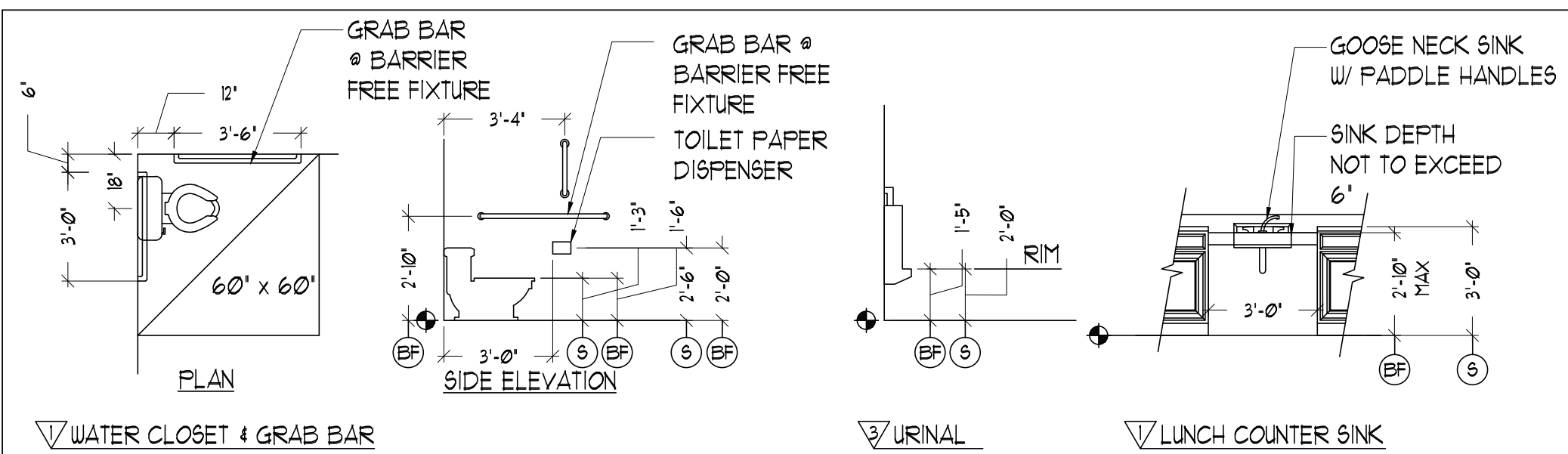
4
3
2
1
0
SCALE 3/4"=1'

6
3
2
1
0
SCALE 1/2"=1'

12
8
4
0
SCALE 1/4"=1'

20
10
0
SCALE 1/8"=1'

40
20
0
SCALE 1/16"=1'



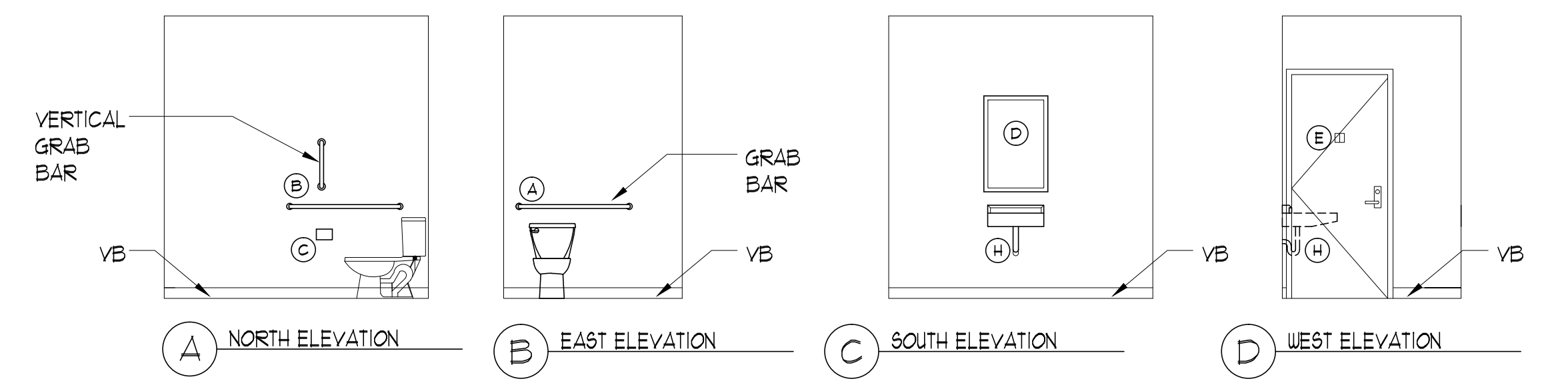
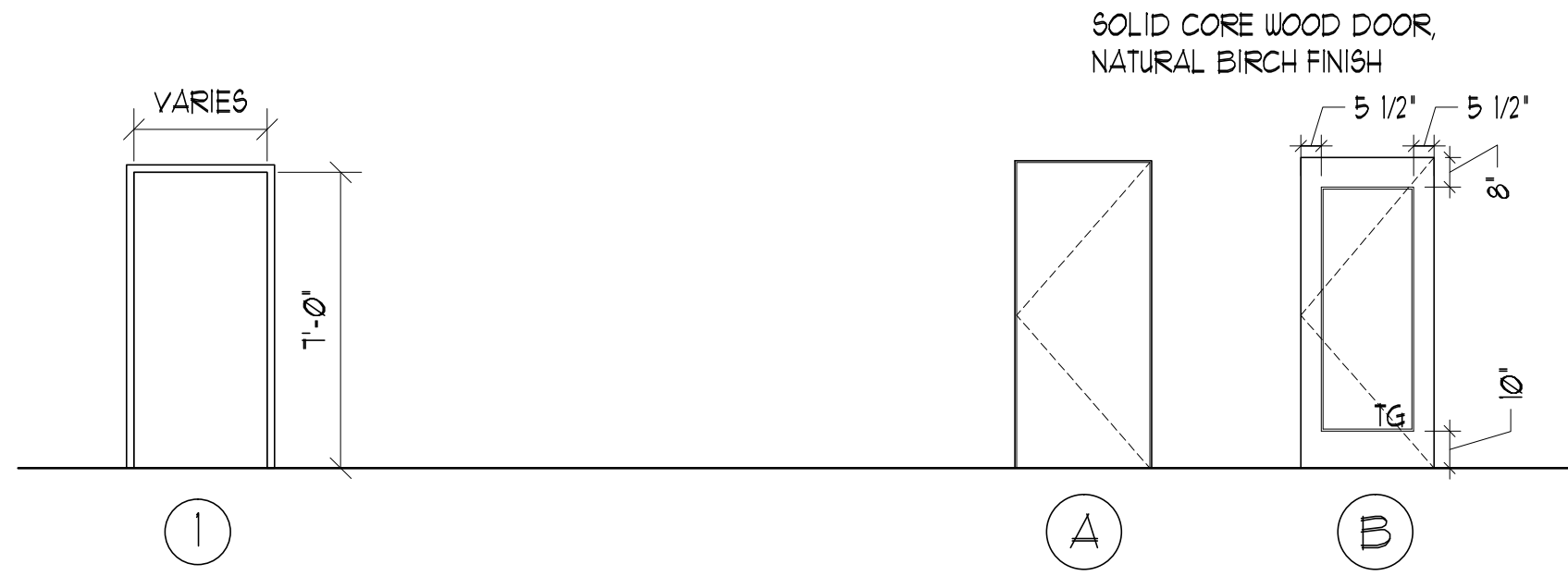
TYP BARRIER FREE REQUIREMENTS

LEGEND
 (S) STANDARD MOUNTING HEIGHT
 (BF) BARRIER FREE ADULT MOUNTING HEIGHT
 (F) FINISH FLOOR LINE

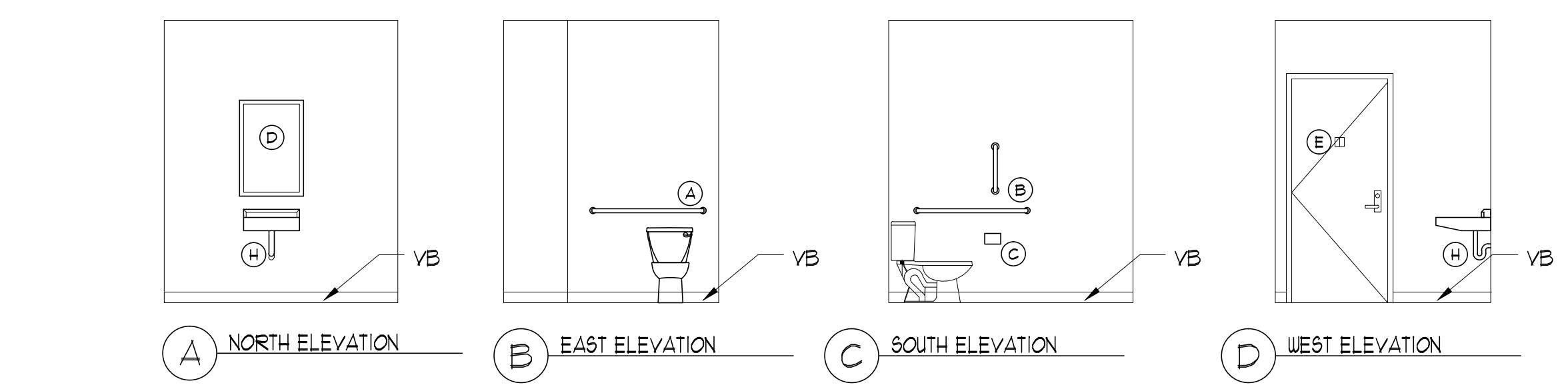
NOTE
 1. MOUNT ALL FIXTURES AT STANDARD MOUNTING HEIGHT UNLESS INDICATED ON PLAN BY A (S) SYMBOL. A (BF) SYMBOL AT ANY ROOM SHALL INCLUDE ONE OF ANY FIXTURE AND ACCESSORY WITHIN THE ROOM.
 2. ALL SINKS TO HAVE ADA LEVER HANDLES.
 3. WRAP ALL EXPOSED PIPES BELOW SINKS.

DOOR AND FRAME SCHEDULE

DOOR NUMBER	DOOR LOCATION	DOOR			FRAME		HARDWARE / DETAILS / NOTES						
		TYPE	DOOR OPENING SIZE (WIDTH X HEIGHT)	THK.	DOOR MATERIAL	FIRE RATING	FRAME TYPE	FRAME MATERIAL	HDW. SET	HEAD	JAMB	SILL	DOOR NOTES
103 A	OPEN OFFICE 104 TO BREAKROOM 103	B	(2) 3'-0" x 7'-0"	1 3/4"	WOOD		2	HM	1				
106 A	OPEN OFFICE 104 TO CONFERENCE 106	B	3'-0" x 7'-0"	2"	WOOD		2	HM	2				
101 A	OPEN OFFICE 104 TO OFFICE 101	B	3'-0" x 7'-0"	2"	WOOD		2	HM	2				
101 B	OPEN OFFICE 104 TO OFFICE 101	B	3'-0" x 7'-0"	2"	WOOD		2	HM	2				
111 A	HALL TO BATH 111	A	3'-0" x 7'-0"	2"	WOOD		2	HM	3				
112 A	HALL TO BATH 112	A	3'-0" x 7'-0"	2"	WOOD		2	HM	3	2 / 5.4	2 / 5.4		



1 BATH 111
 SCALE: 1/4" = 1'-0"



2 BATH 112
 SCALE: 1/4" = 1'-0"

1 2ND FLOOR PLAN
 SCALE: 1/8" = 1'-0"

BATHROOM ACCESSORIES SCHEDULE

NUM	ITEM	MOUNTING HEIGHT	COMMENTS
(A)	3'-6" 1 1/2" DIA GRAB BAR	C @ 2'-10" AFF	-
(B)	3'-0" 1 1/2" DIA GRAB BAR	C @ 2'-10" AFF	-
(C)	TOILET PAPER DISPENSER	C @ 20" AFF	FBO / INSTALL BLOCKING
(D)	48" x 36" MIRROR	BOTTOM @ 40" AFF (MAX)	-
(E)	HOOK	TOP @ 54"	-
(F)	SOAP DISPENSER	BOTTOM @ 42" AFF	FBO / INSTALL BLOCKING
(G)	PAPER TOWEL DISPENSER	BOTTOM @ 40" AFF	FBO / INSTALL BLOCKING
(H)	ADA LAVATORY PIPE GUARDS		-
(I)	HAND DRYER	BOTTOM @ 40" AFF	FBO / INSTALL BLOCKING AND FOURER

