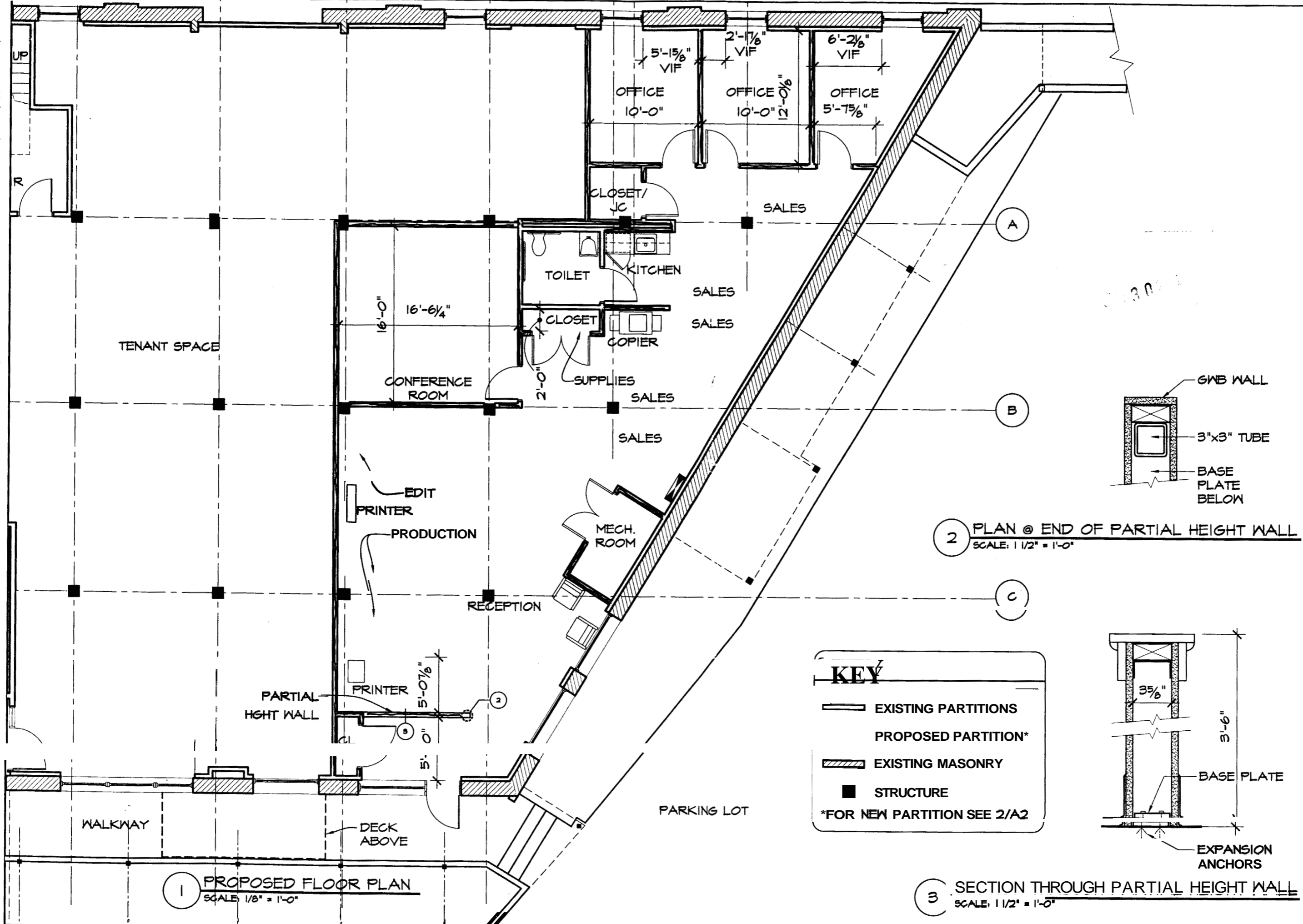


G:\Master Proj Files\JB Brown & ms\Properties\14-26 YORK STREET\Portland Phoenix_option-A.dwg, A1-FLOORPLAN, 05/27/2004 04:54:13 PM, reben, \NTSRV:\HP5000



1 PROPOSED FLOOR PLAN
SCALE: 1/8" = 1'-0"

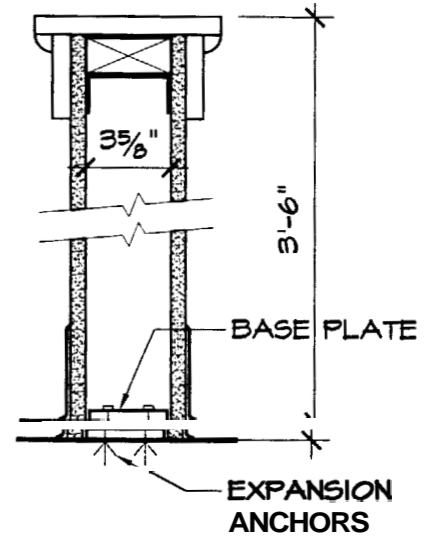
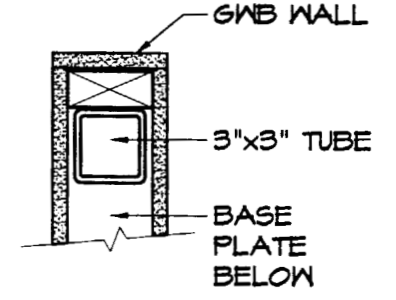
2 PLAN @ END OF PARTIAL HEIGHT WALL
SCALE: 1/2" = 1'-0"

3 SECTION THROUGH PARTIAL HEIGHT WALL
SCALE: 1/2" = 1'-0"

KEY

- EXISTING PARTITIONS
- PROPOSED PARTITION*
- EXISTING MASONRY
- STRUCTURE

*FOR NEW PARTITION SEE 2/A2



ARCHITECTURE
INTERIOR DESIGN
PLANNING

P D T A R C H I T E C T S

49 DARTMOUTH STREET
PORTLAND, MAINE 04109
207-775-6694 FAX

© 2004 PDT Architects

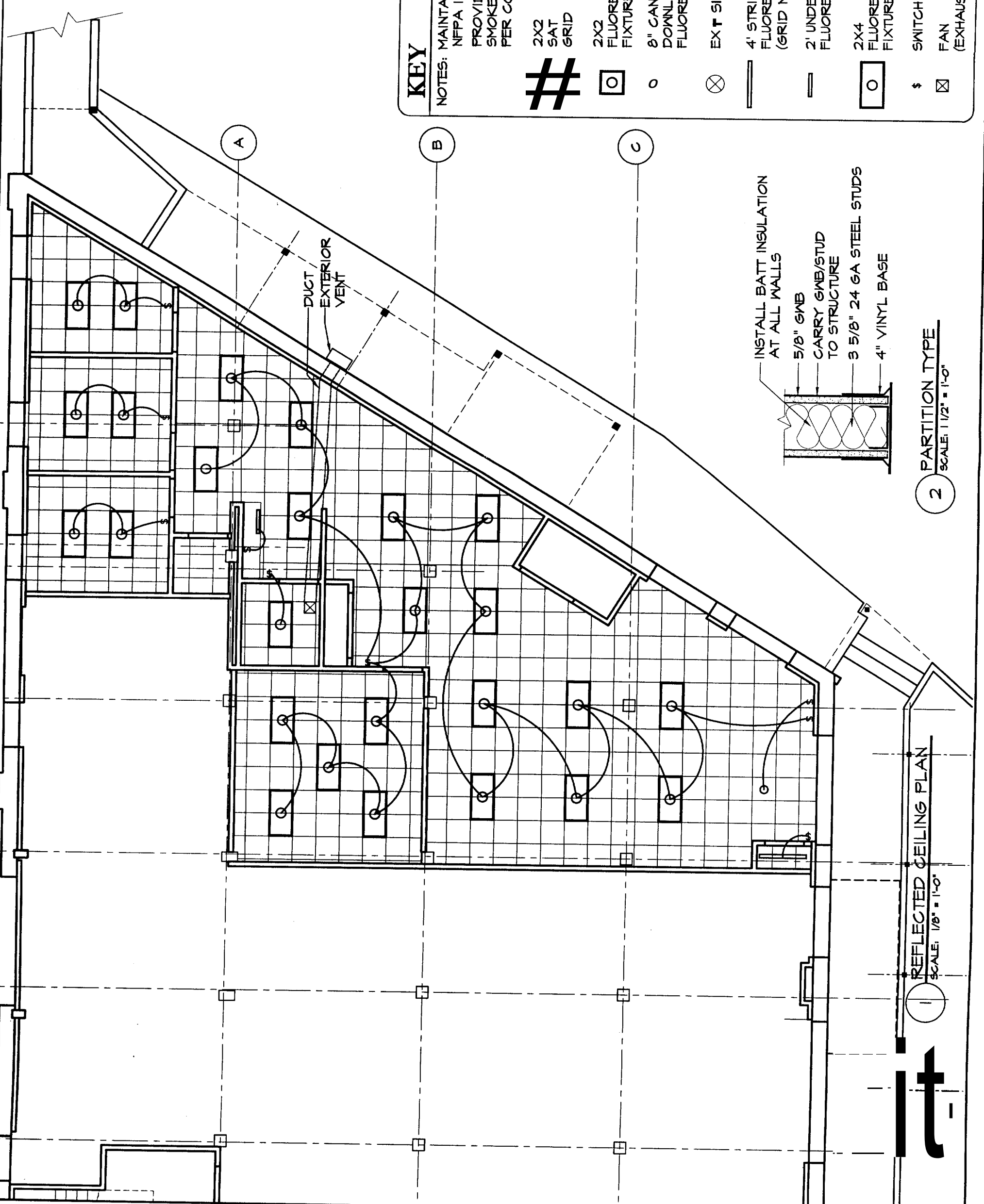
PORTLAND PHOENIX @ 14-26 YORK STREET
PORTLAND, MAINE

SHEET	JOB #	DATE	SCALE	TITLE
A1	34-028	MAY 2004	AS NOTED	FLOOR PLAN

KEY

NOTES: MAINTAIN EXISTING
NFPA 13 SPRINKLER SYSTEM
PROVIDE FIRE ALARM AND
SMOKE DETECTION SYSTEM
PER CODE

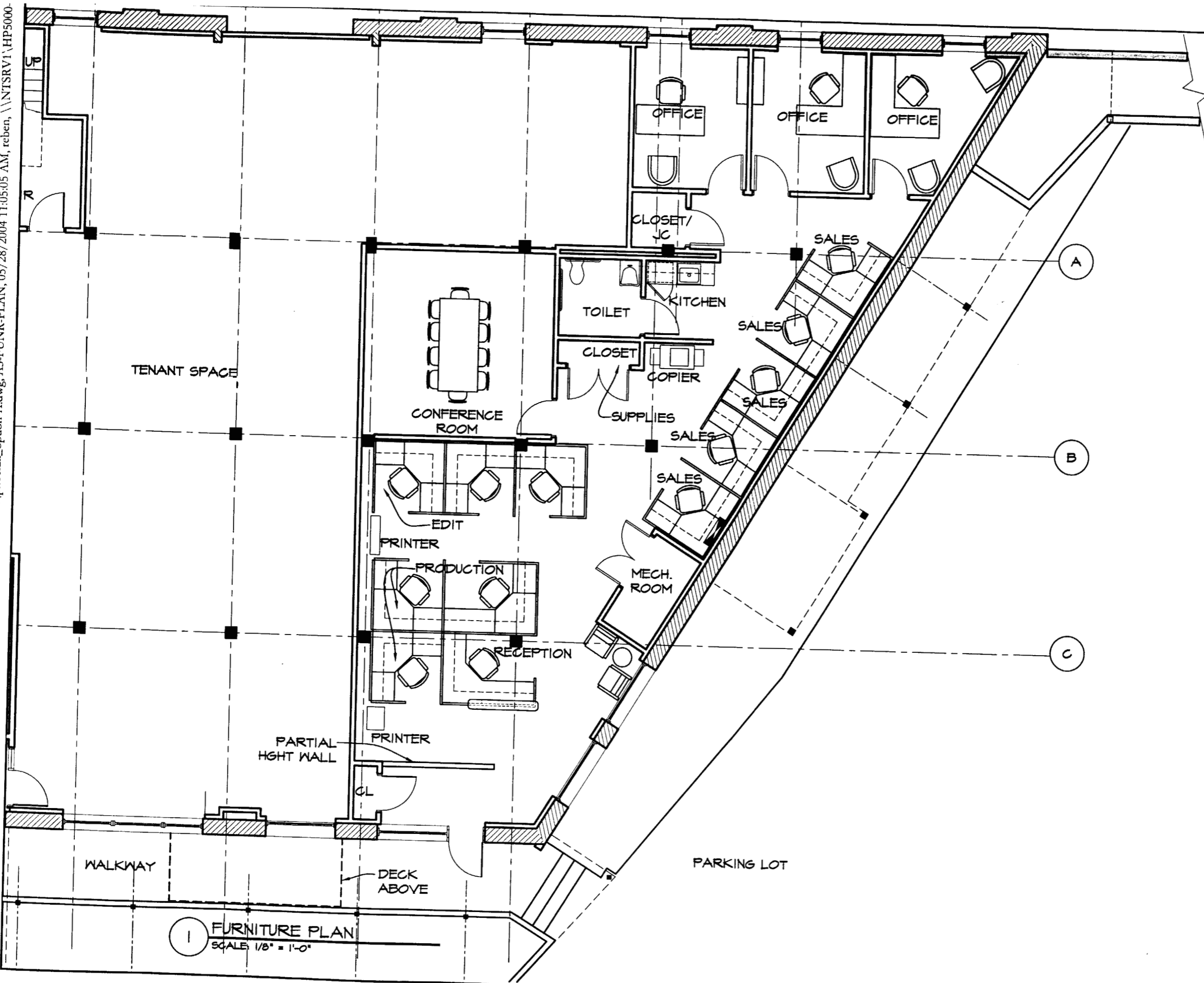
- # 2X2 SAT GRID
- 2X2 FLUORESCENT FIXTURE
- 8" CAN DOWNLIGHT FLUORESCENT
- ⊗ EXT SIGN
- 4' STRIP FLUORESCENT (GRID MOUNT)
- 2' UNDER CABINET FLUORESCENT
- 2X4 FLUORESCENT FIXTURE
- ⋄ SWITCH
- ⊠ FAN (EXHAUST FROM BATHROOM)



2 PARTITION TYPE
SCALE: 1/2" = 1'-0"

REFLECTED CEILING PLAN
SCALE: 1/8" = 1'-0"

G:\Master Proj Files\JB Brown & Sons\Properties\14-26 YORK STREET\Portland Phoenix\phoenix_option-A.dwg, A3-FUNR-PLAN, 05/28/2004 11:05:05 AM, reben, \\NTSRV1\HP5000



1 FURNITURE PLAN
SCALE 1/8" = 1'-0"

**PORTLAND PHOENIX @ 14-26 YORK STREET
PORTLAND, MAINE**

SHEET **A3**

JOB # 04-028
DATE MAY 2004
SCALE AS NOTED

TITLE
FURNITURE PLAN

ARCHITECTURE
INTERIOR DESIGN
PLANNING

P D T A R C H I T E C T S

49 DARTMOUTH STREET
PORTLAND, ME 04101
207.775-1059
207.775-2694 FAX

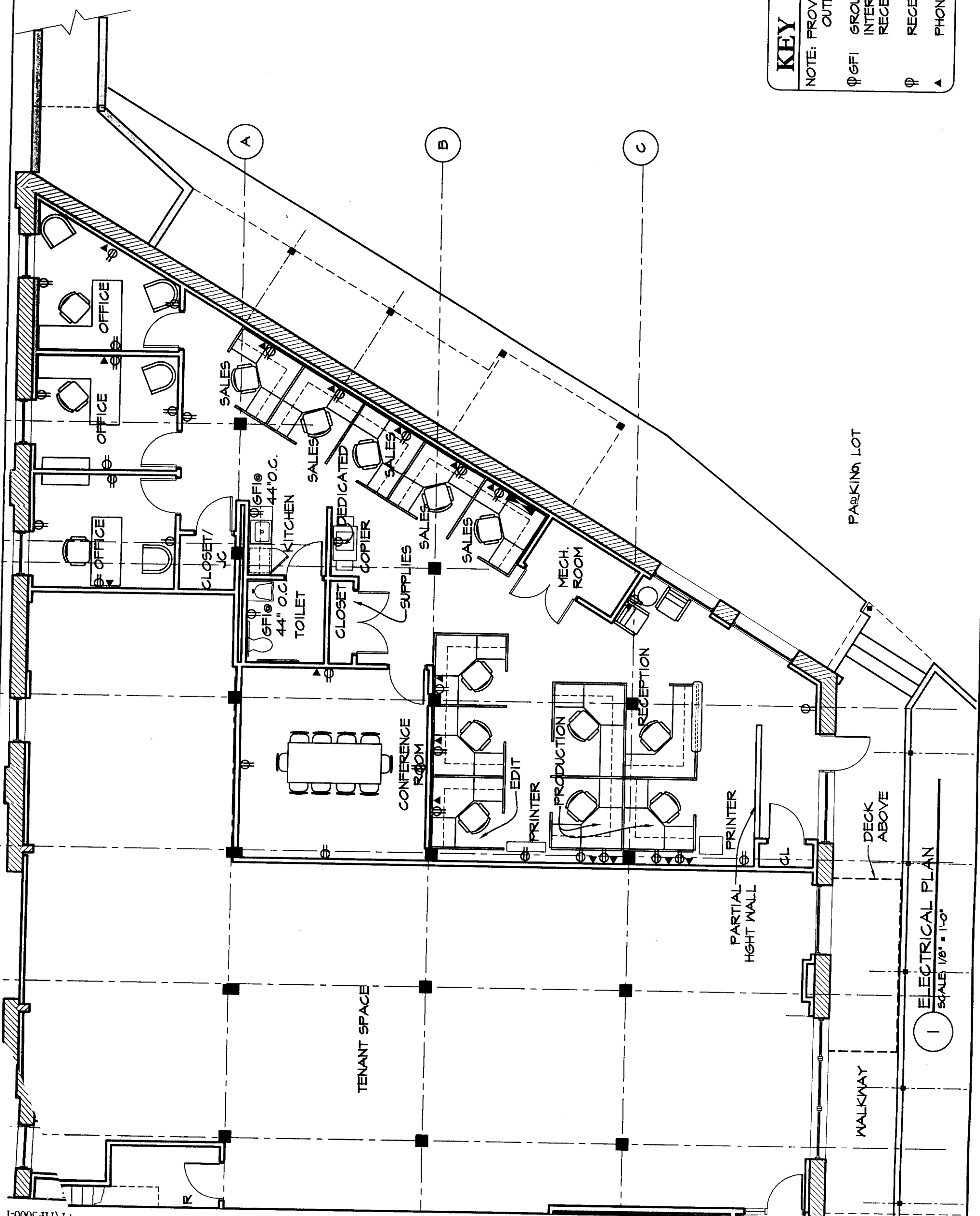
PORTLAND PHOENIX @ 14-26 YORK STREET
PORTLAND, MAINE

ARCHITECTURE INTERIOR DESIGN PLANNING
P D I A R C H I T E C T S
© 2004 PDT Architects
49 DARTMOUTH STREET
PORTLAND, ME 04101
207 775-1059
207 775-2694 FAX

KEY

NOTE: PROVIDE ELECTRICAL OUTLETS PER CODE

- ⊕ GFI
- ⊕ GROUND FAULT INTERRUPTED RECEPTACLE
- ⊕ RECEPTACLE
- ▲ PHONE



1 ELECTRICAL PLAN
SCALE 1/8" = 1'-0"