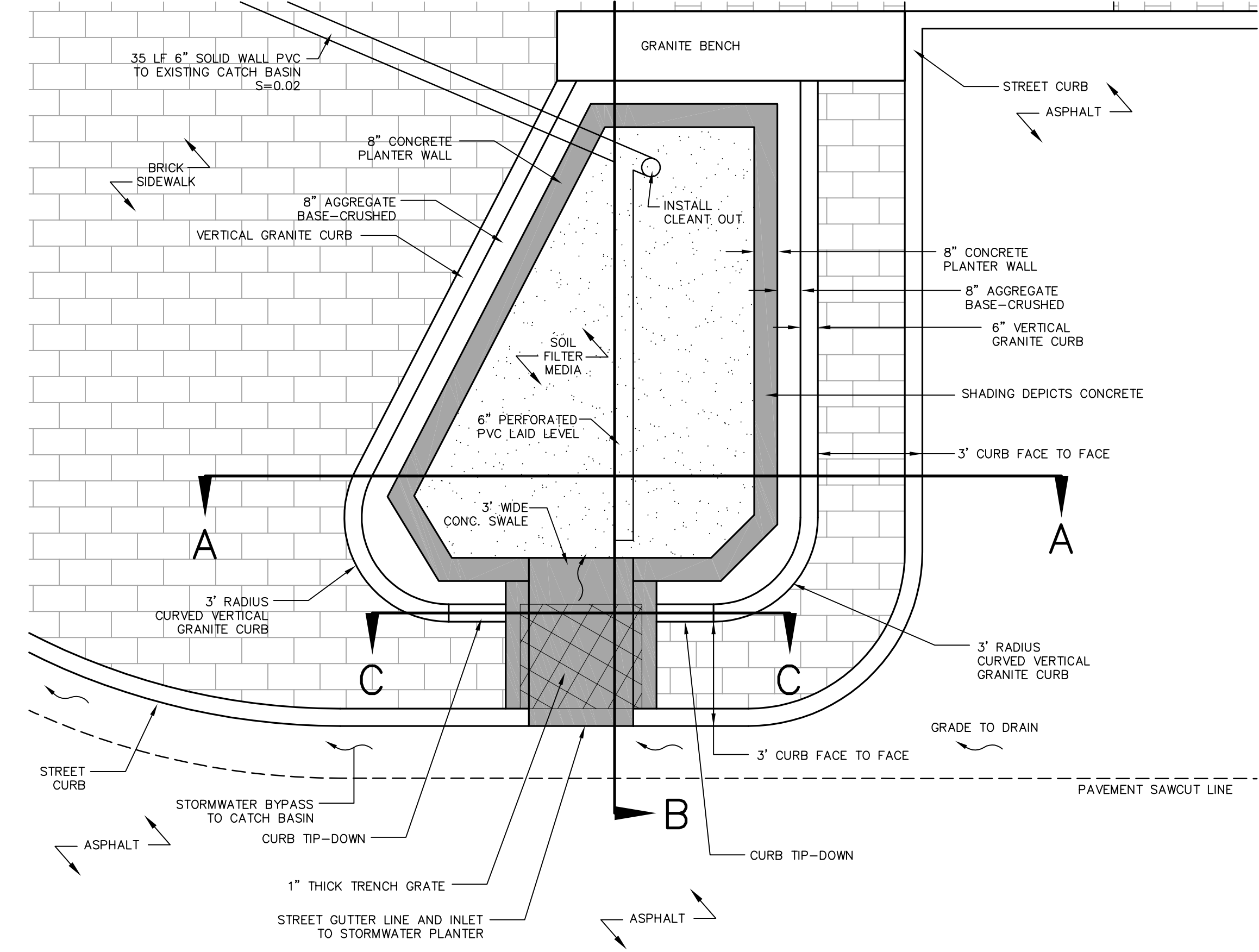
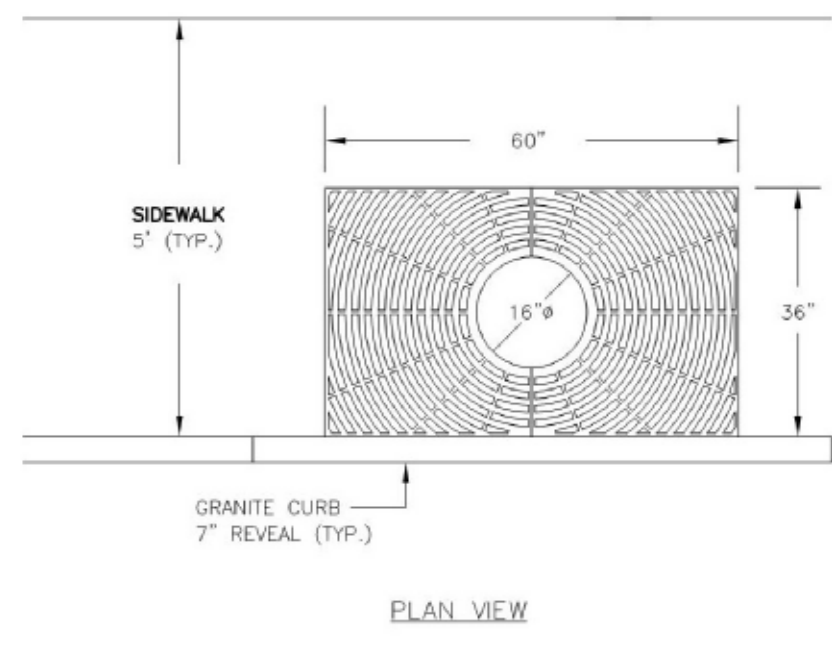


SECTION A-A
SCALE: 1 INCH = 3 FEET

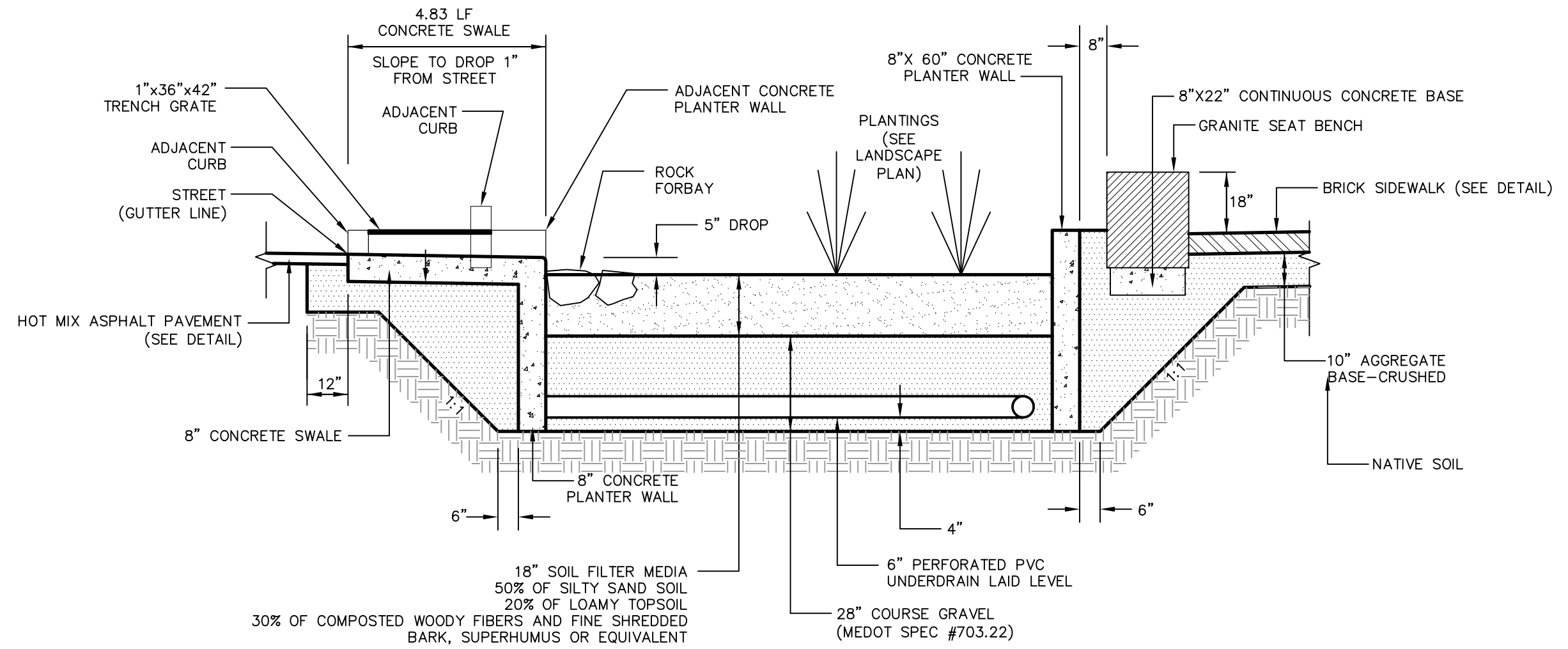


STORMWATER PLANTER PLAN
SCALE: 1 INCH = 3 FEET

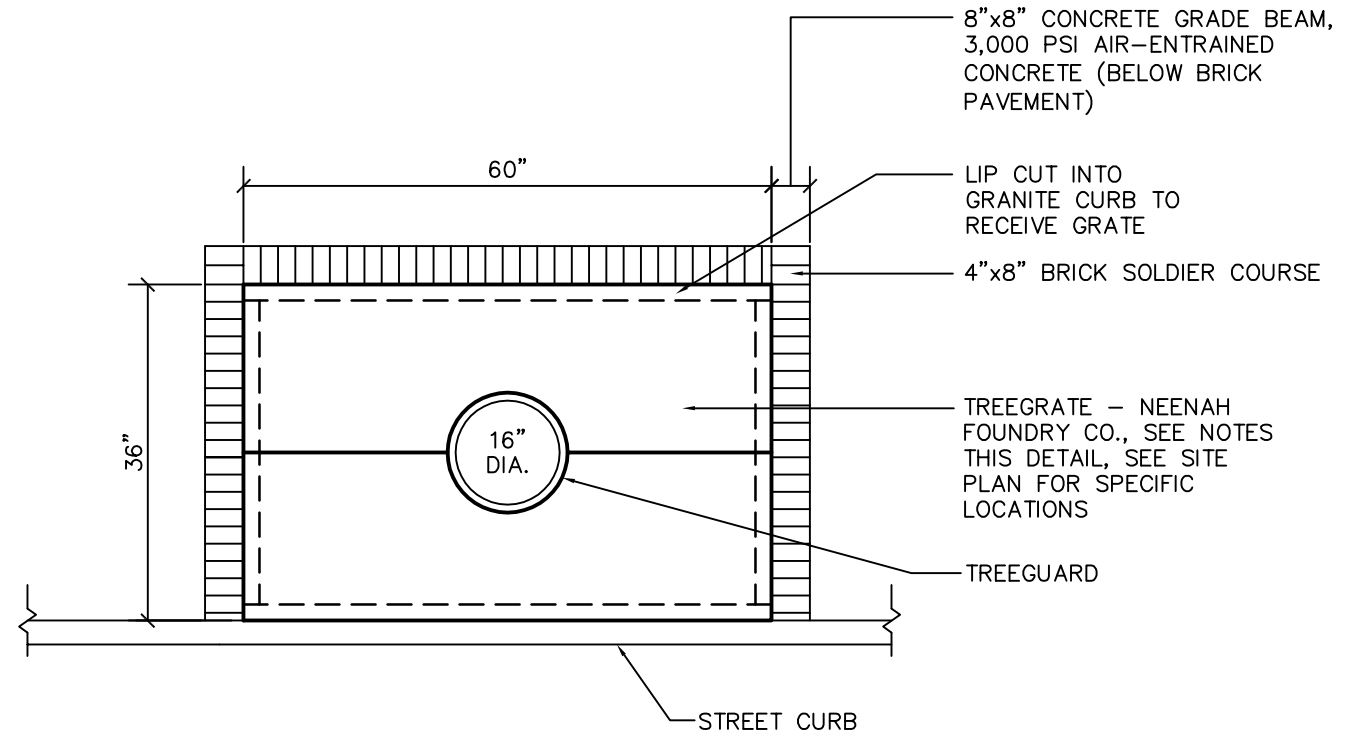
NOTES:
16" EXPANDABLE TREE OPENING. 0.25" SLOT OPENINGS.
SIDEWALK MATERIAL PER CITY SIDEWALK MATERIAL POLICY.
WHEN THE TREE GRATE IS INSTALLED IN A CONCRETE SIDEWALK, A NOTCH MUST BE INSTALLED ALONG THE EDGE TO HOLD THE GRATE. WHEN INSTALLED IN A BRICK SIDEWALK IT REQUIRES A FRAME TO BE INSTALLED TO HOLD THE GRATE IN PLACE.



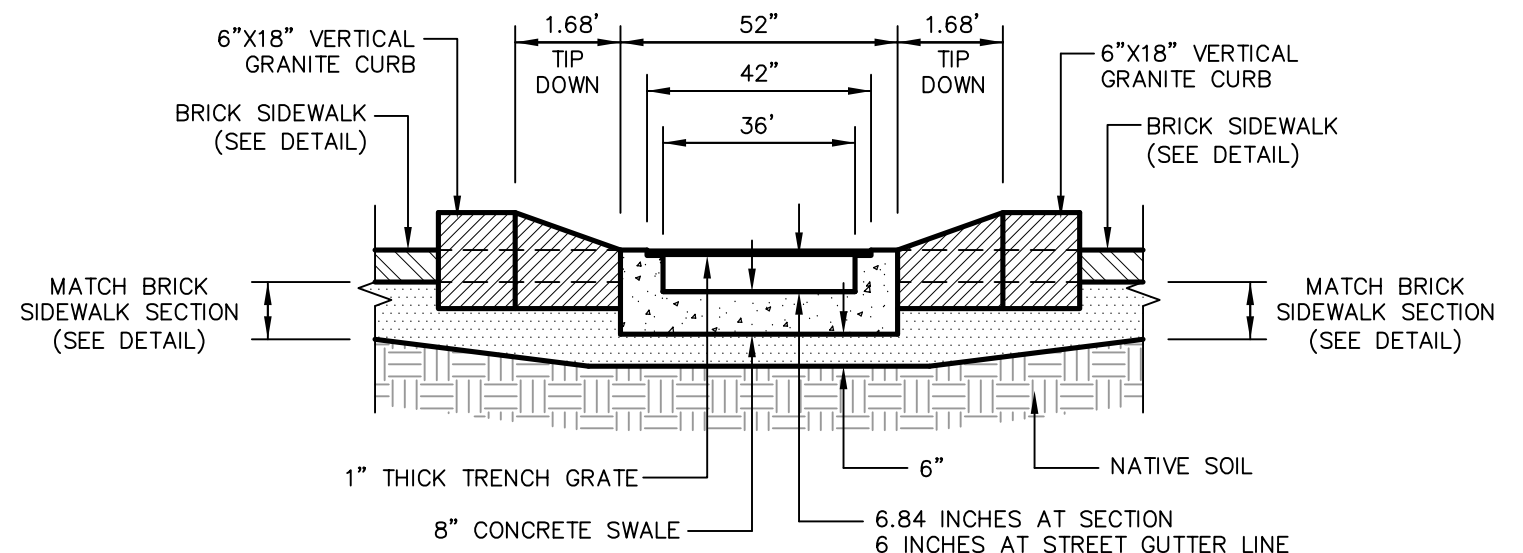
EXPANDABLE TREE GRATE NEENAH MODEL R-8810
NOT TO SCALE



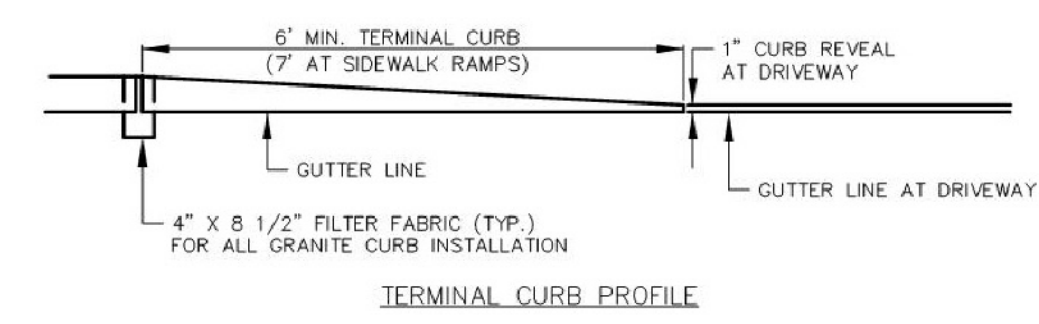
SECTION B-B
SCALE: 1 INCH = 3 FEET



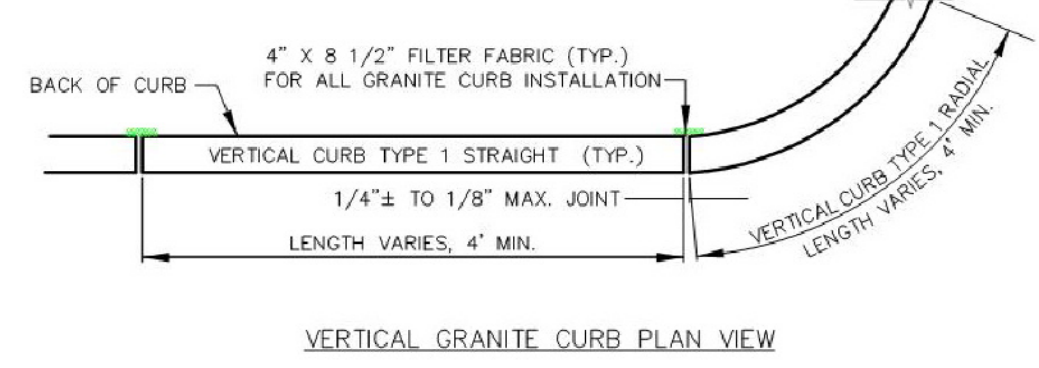
TREE GRATE DETAIL
NOT TO SCALE



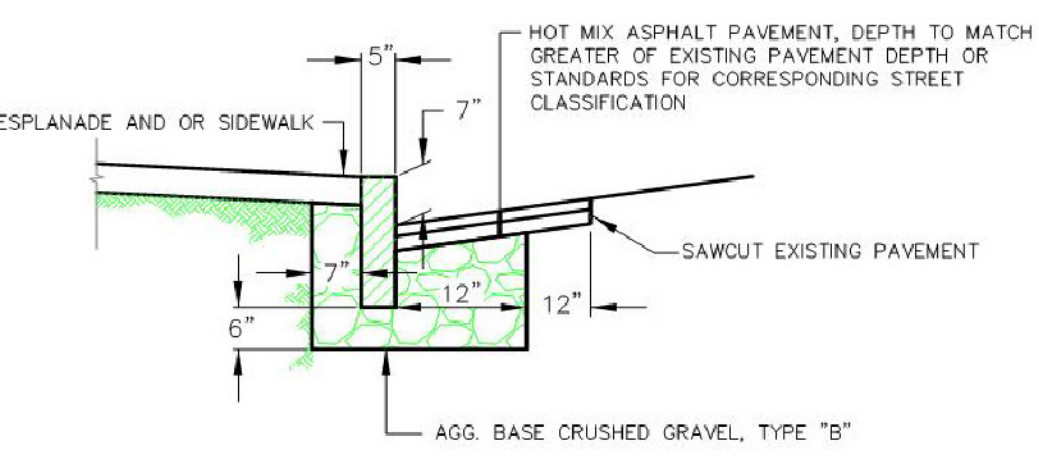
SECTION C-C
SCALE: 1 INCH = 3 FEET



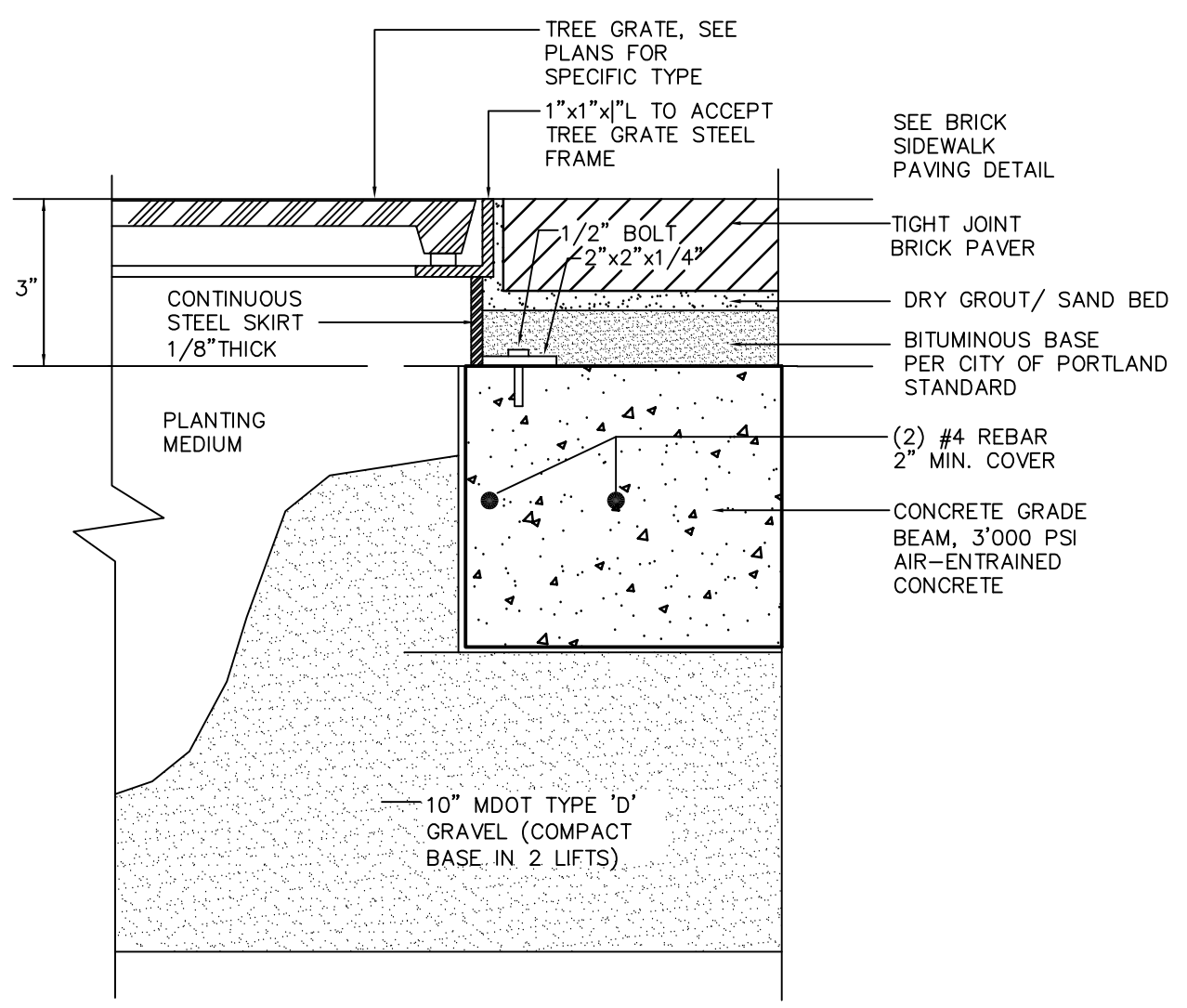
TERMINAL CURB PROFILE



VERTICAL GRANITE CURB PLAN VIEW



VERTICAL GRANITE CURB INSTALLATION IN EXISTING STREETS
NOT TO SCALE



TYPICAL SECTION TREE GRATE FRAME
NOT TO SCALE

REVISION SCHEDULE	REVISION DESCRIPTION
01-02-13	REVISED PER CITY STAFF AND HISTORICAL/PLANNING BOARD COMMENTS
01-15-13	REVISED PER CITY STAFF AND HISTORICAL/PLANNING BOARD COMMENTS

LOPECHEE
CONSTRUCTION CORPORATION
11 CORPORATE DRIVE, BELMONT NH 03220
PHONE: (603) 527-9000 FAX: (603) 527-9191

CONSTRUCTION DETAILS

PROJECT: **COMMERCIAL & MAPLE STREET MIXED USE DEVELOPMENT**
PORTLAND, ME

DATE: 10-22-12
SCALE: 1"=20"
DRAWN BY: BJS
C11
SHEET: 11 OF 14

