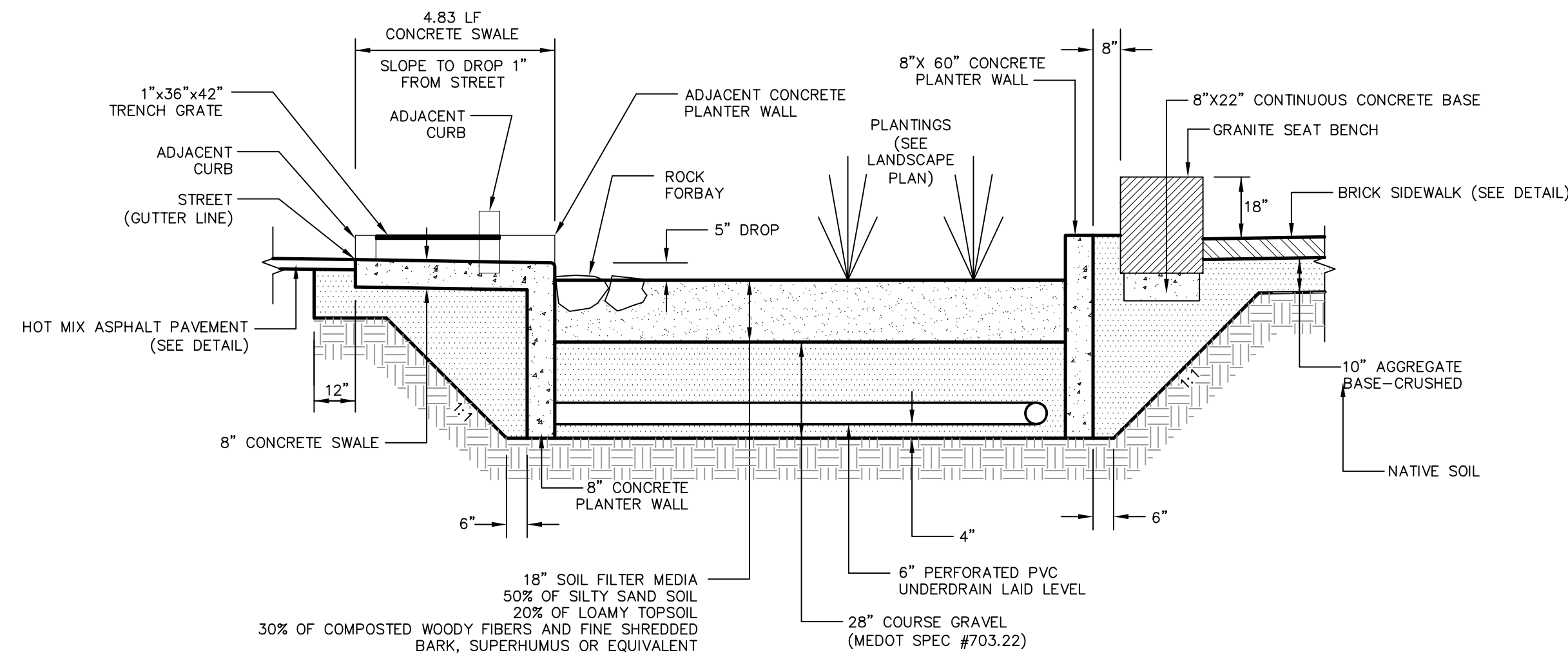
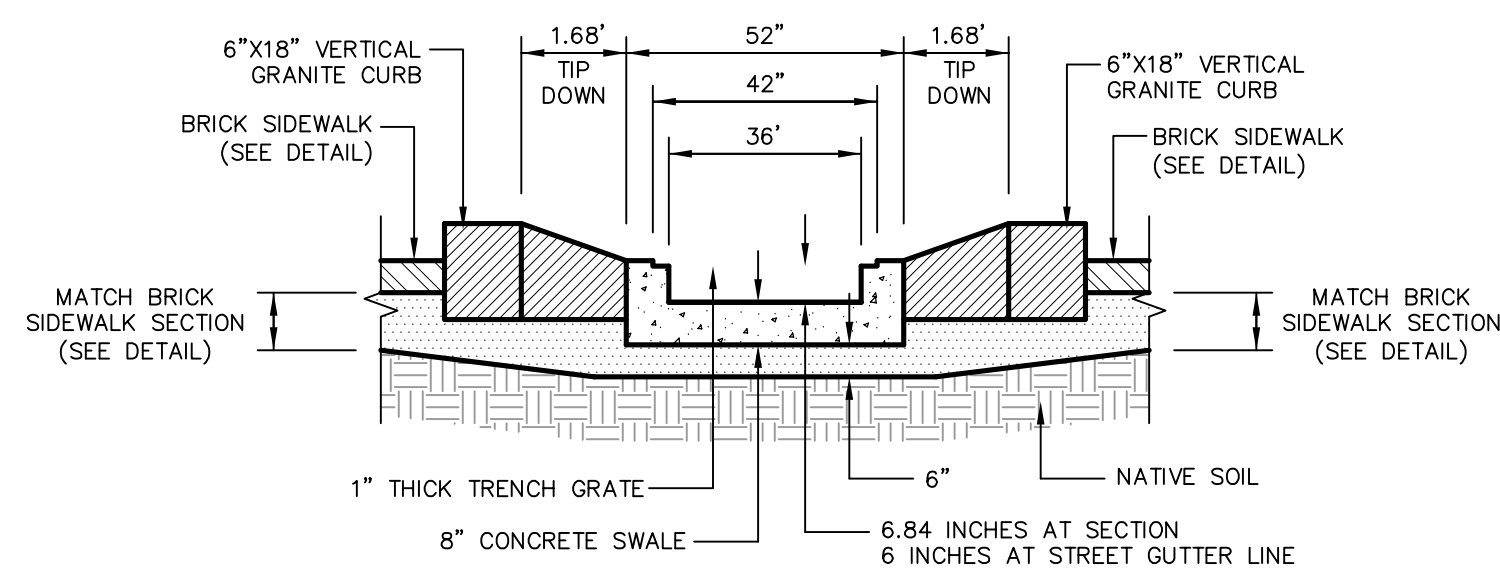


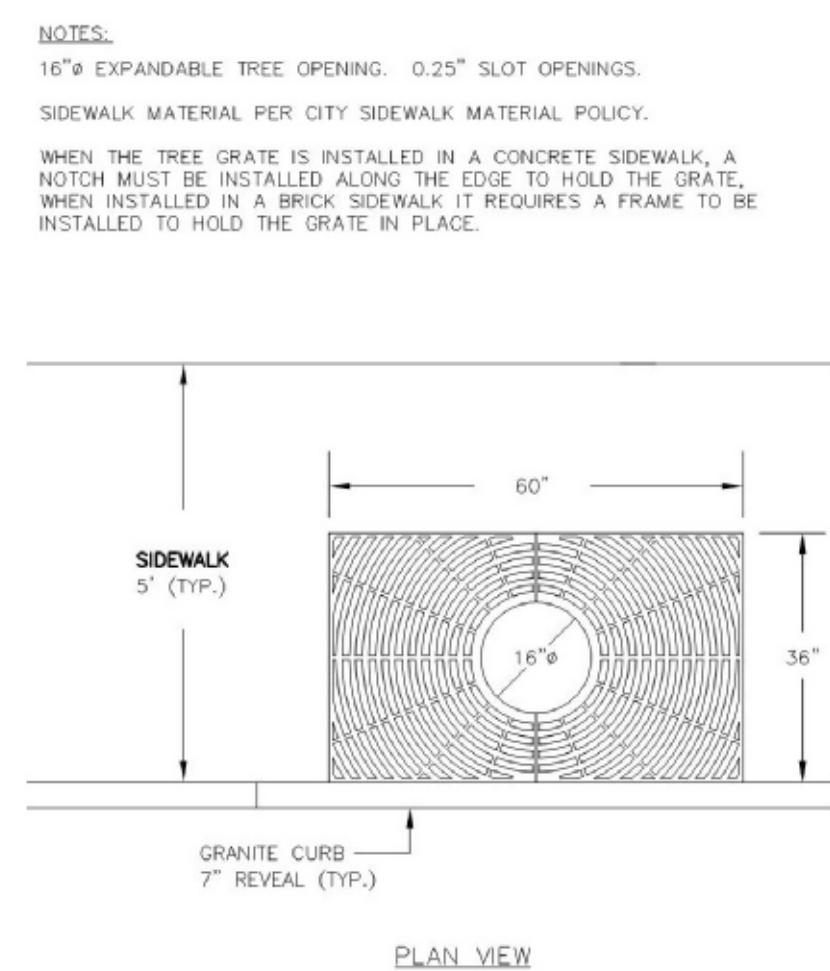
SECTION A-A
SCALE: 1 INCH = 3 FEET



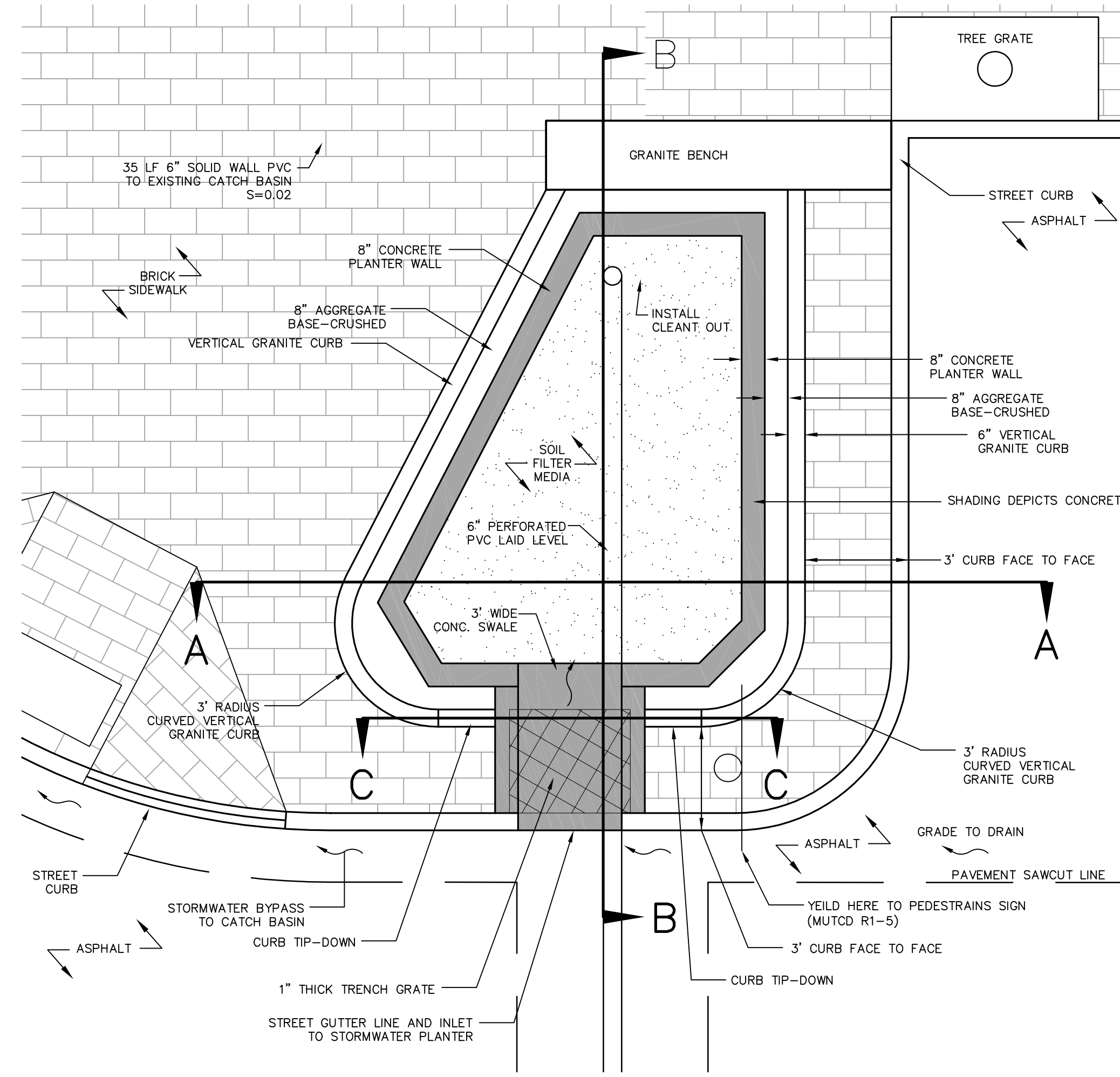
SECTION B-B
SCALE: 1 INCH = 3 FEET



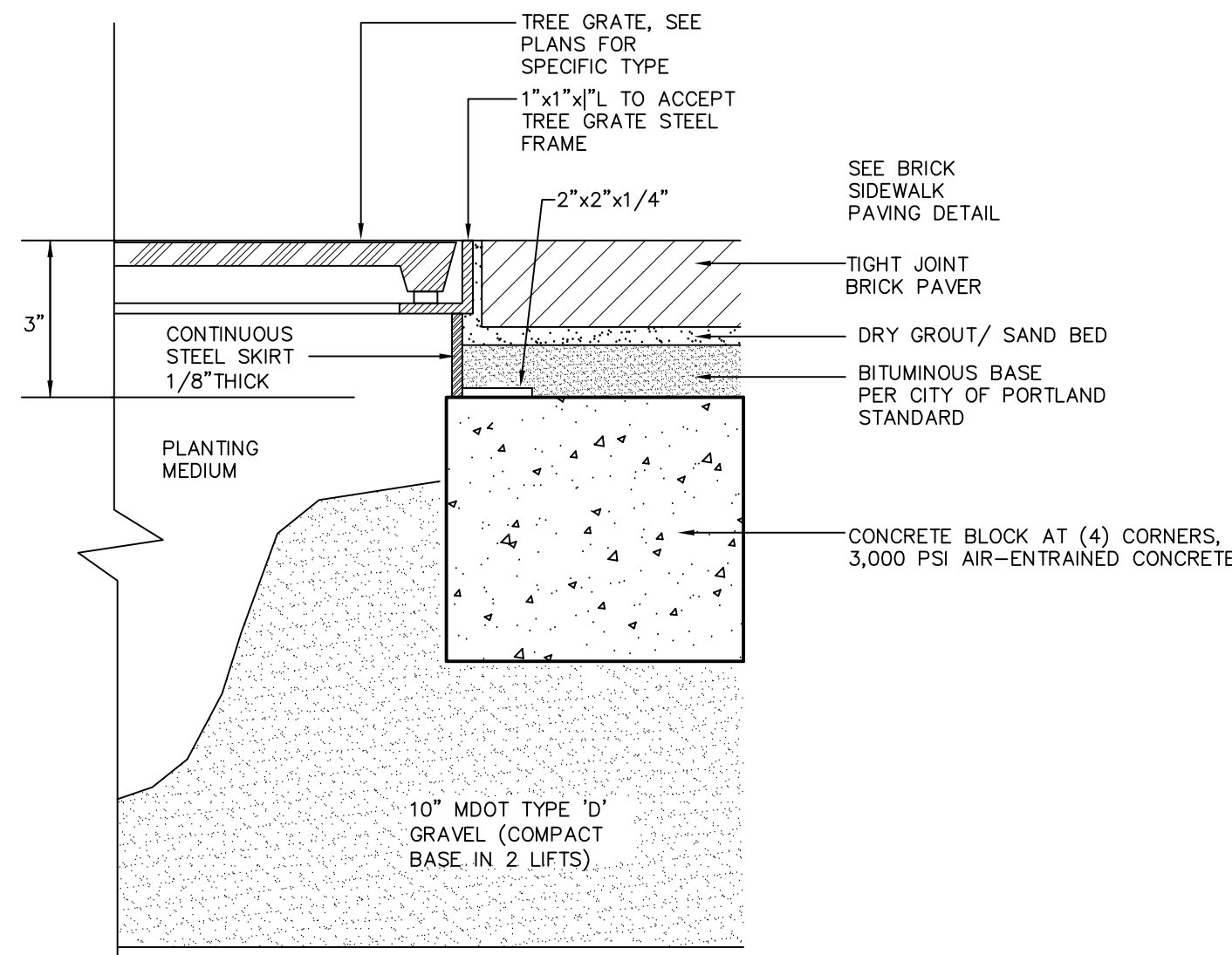
SECTION C-C
SCALE: 1 INCH = 3 FEET



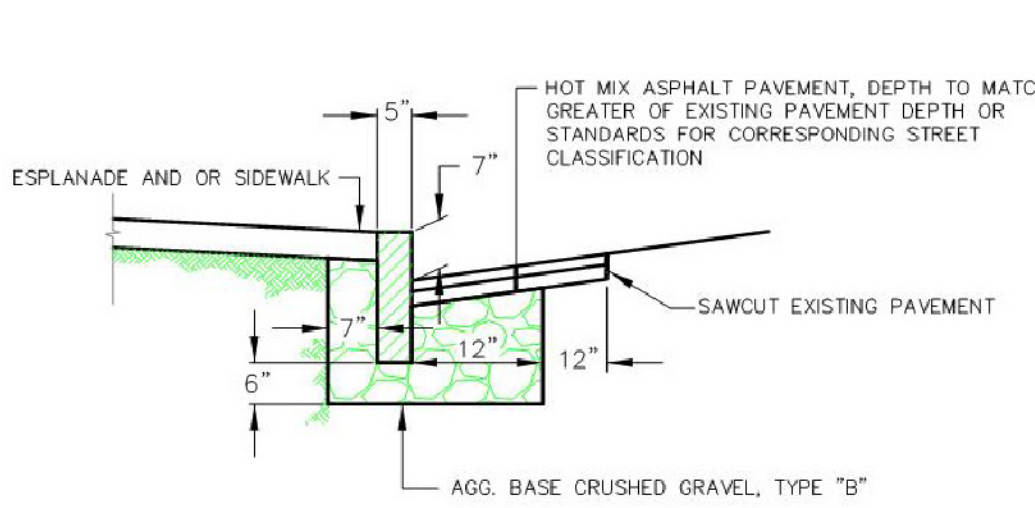
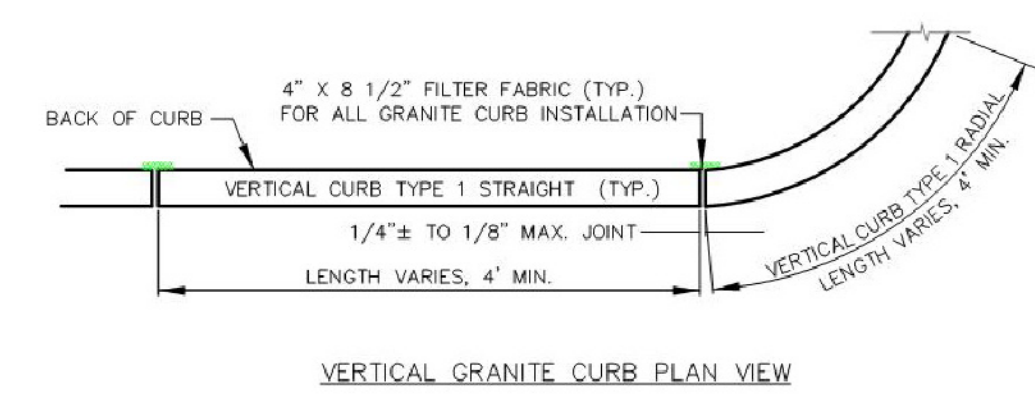
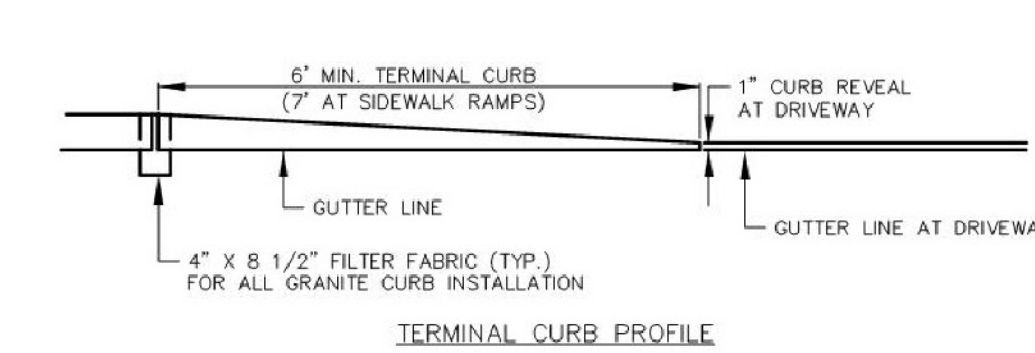
EXPANDABLE TREE GRATE
NEENAH MODEL R-8810
NOT TO SCALE



STORMWATER PLANTER PLAN
NOT TO SCALE

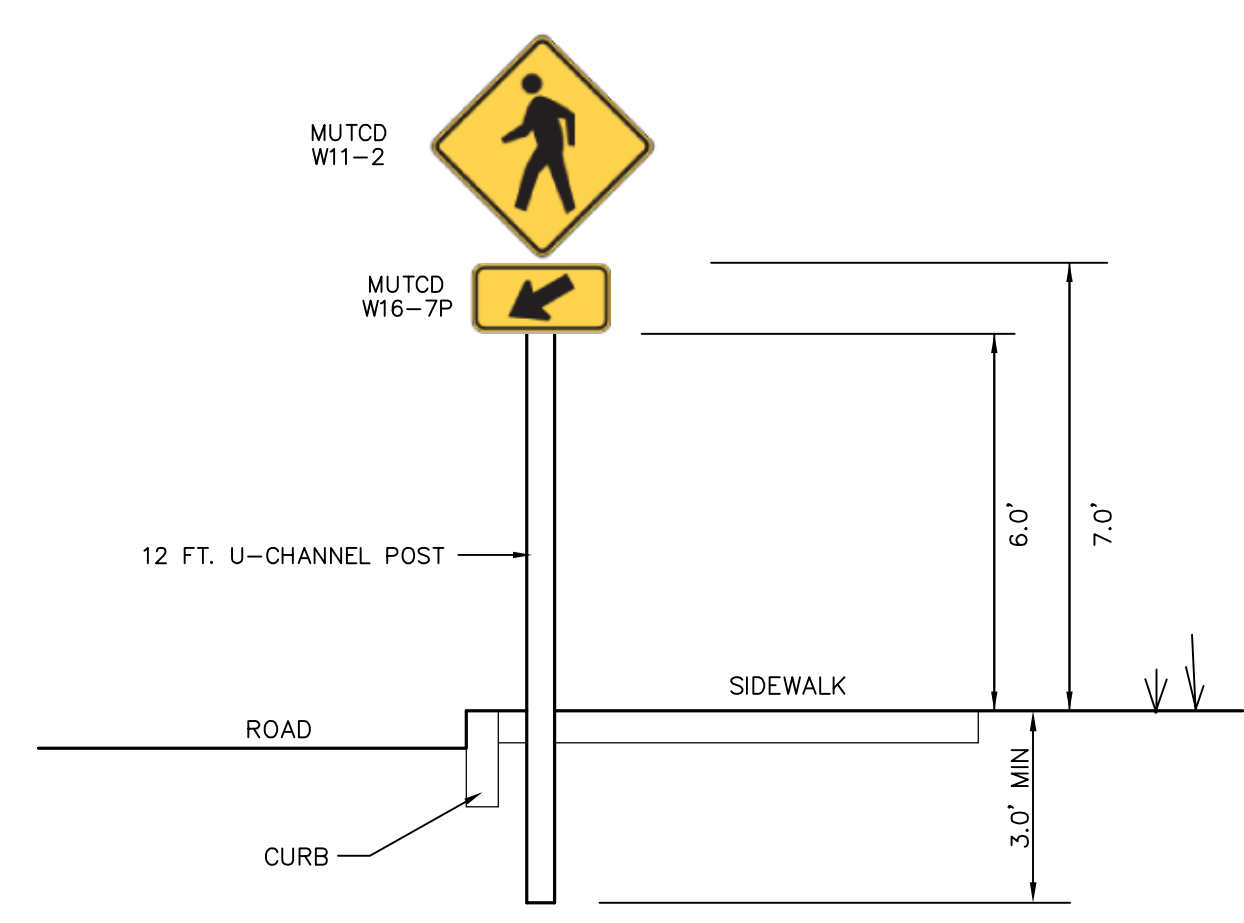


TYPICAL SECTION TREE GRATE FRAME
NOT TO SCALE

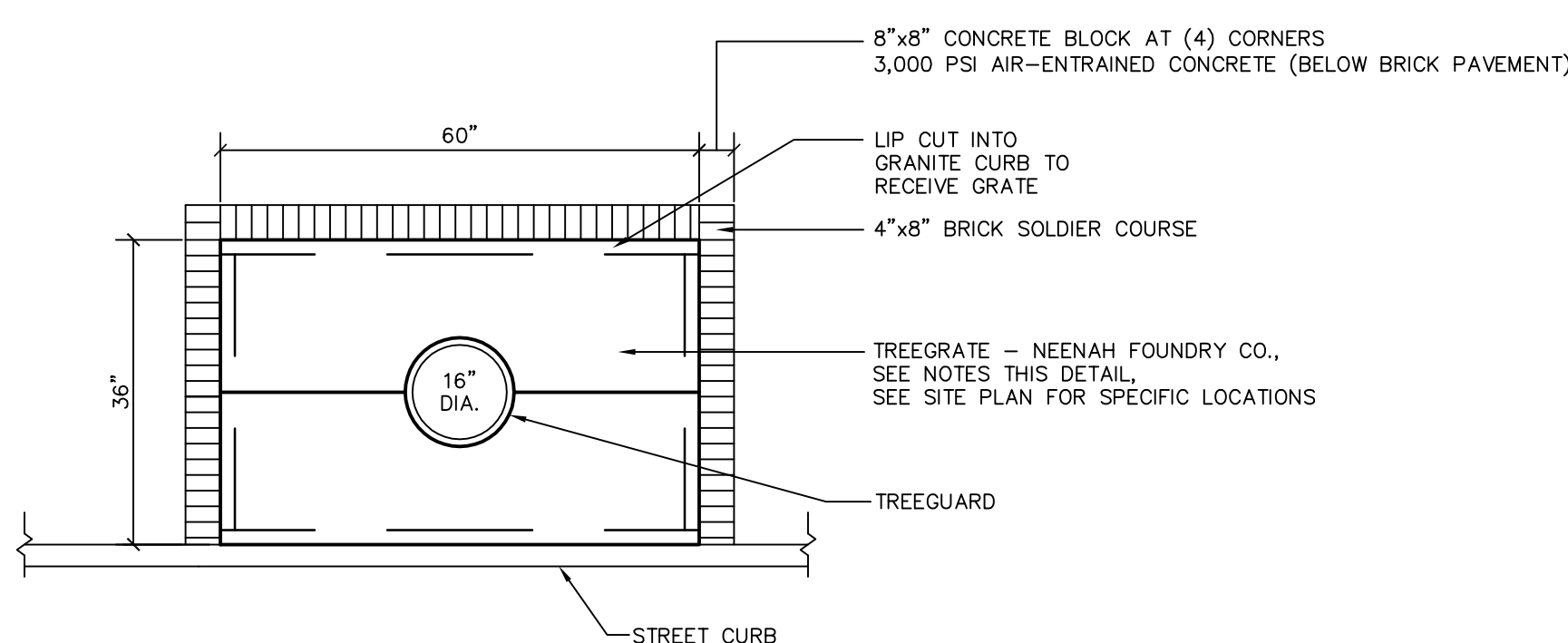


VERTICAL GRANITE CURB
INSTALLATION IN EXISTING STREETS
NOT TO SCALE

NOTE: ALL MUTCD SPECIFIED SIGNS SHALL BE IN CONFORMITY WITH THE MANUAL ON UNIFORM TRAFFIC CONTROL DEVICES (MUTCD) STANDARD HIGHWAY SIGNS, 2009 EDITION



POLE MOUNTED CROSSWALK WARNING SIGN
NOT TO SCALE



TREE GRATE DETAIL
NOT TO SCALE

DATE	REVISION	SCHEDULE	REVISION DESCRIPTION
01-15-13			REVISED PER CITY STAFF AND HISTORICAL/PLANNING BOARD COMMENTS
02-05-13			ADDED CROSSWALK WARNING SIGN
03-01-13			REVISED CLEARANCE HEIGHTS FOR PEDESTRIAN WARNING SIGNS

LOPECHEE
CONSTRUCTION CORPORATION
11 CORPORATE DRIVE, BELMONT NH 03220
PHONE: (603) 527-9000 FAX: (603) 527-9191

CONSTRUCTION
DETAILS

PROJECT: **COMMERCIAL & MAPLE STREET**
MIXED USE DEVELOPMENT
PORTLAND, ME

DATE: 10-22-12
SCALE: 1"=20"
DRAWN BY: BJS
C11
SHEET: 11 OF 14

