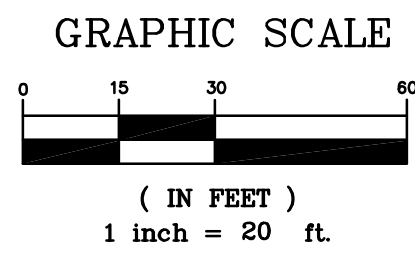


PHASE I SEDIMENT CONTROL PLAN
PRIOR TO AND DURING FOUNDATION CONSTRUCTION
SCALE: 1"=30'



EROSION AND SEDIMENT CONTROL NOTES:

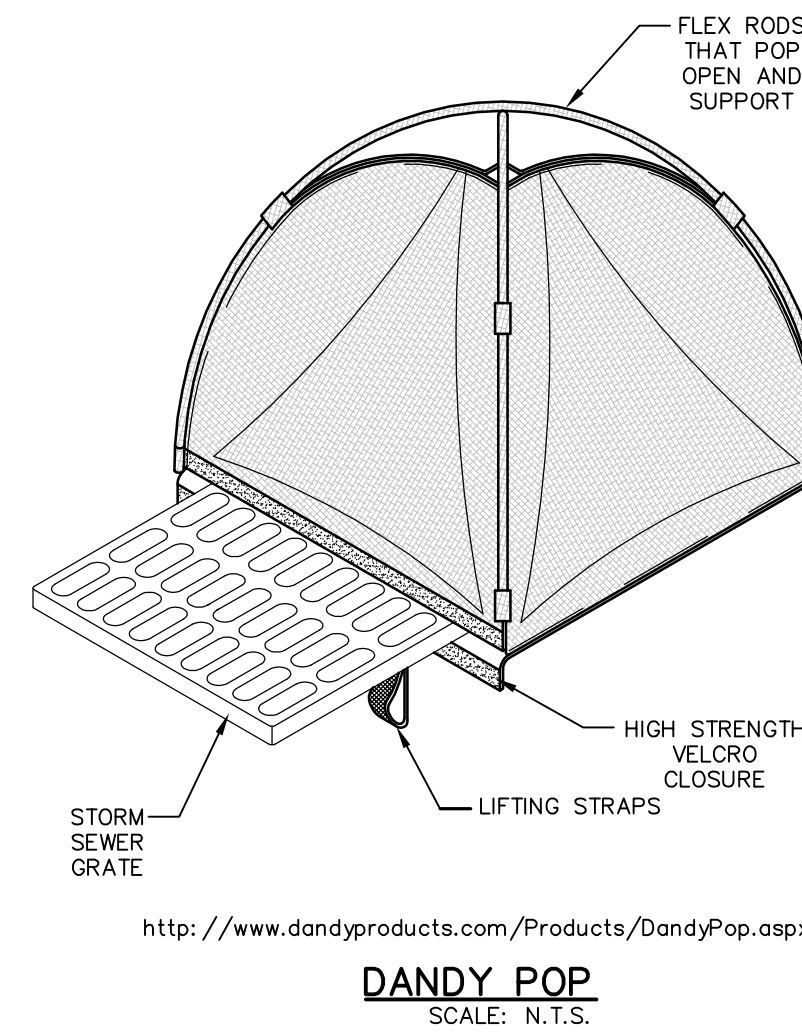
- THE EROSION PLAN DEPICTS THE REQUIRED SOIL EROSION AND SEDIMENT CONTROL MEASURES THAT THE SITE SUBCONTRACTOR IS RESPONSIBLE FOR MAINTAINING DURING DEMOLITION/CONSTRUCTION IN SUCH A MANNER THAT:
 - SOIL EROSION IS KEPT TO A MINIMUM.
 - NO SEDIMENT LEAVES THE CONSTRUCTION SITE PROPERTY.
 - ALL POSSIBLE MEASURES ARE EMPLOYED TO PREVENT SEDIMENT FROM ENTERING DRAINAGE COURSES EVEN BEYOND THE DETAILS SHOWN ON THIS PLAN IF NECESSARY.
- SOIL DISTURBING ACTIVITIES WILL INCLUDE MINIMAL CLEARING & GRUBBING, DEMOLITION, EXCAVATION FOR SEWER, STORM DRAINAGE, UNDERGROUND UTILITIES, BUILDING FOUNDATIONS, AND RETAINING WALLS.
- AN AREA SHALL BE CONSIDERED STABLE IF ONE OR MORE OF THE FOLLOWING HAS OCCURRED:
 - BASE COURSE GRAVELS HAVE BEEN INSTALLED IN AREAS TO BE PAVED.
 - A MINIMUM OF 85% VEGETATED GROWTH HAS BEEN ESTABLISHED.
 - A MINIMUM OF 3" ON NON-EROSIVE MATERIAL SUCH AS STONE OR RIPRAP HAS BEEN INSTALLED, OR
 - EROSION CONTROL BLANKETS HAVE BEEN PROPERLY INSTALLED.
- ALL EROSION CONTROL MEASURES SHALL BE INSPECTED WEEKLY AND AFTER ANY STORM EVENT WITH GREATER THAN 0.5 INCHES OF RAINFALL.
- ALL NECESSARY REPAIRS TO EROSION CONTROL MEASURES MUST BE MADE AS SOON AS POSSIBLE.
- ALL AREAS SHALL BE STABILIZED WITH EROSION CONTROL BLANKETS WITHIN 72 HOURS OF ACHIEVING FINISHED GRADE.
- PROTECT AND STABILIZE ALL AREAS NOT SCHEDULED FOR EROSION PREVENTION OR STABILIZATION, BUT THAT SHOW SIGNS OF EROSION. NOTIFY ENGINEER OF ANY SIGNIFICANT EROSION PROBLEM.
- INSTALL EROSION CONTROL BLANKETS WITHIN 7 DAYS IF ANY AREA WILL BE LEFT UNDISTURBED FOR MORE THAN 14 DAYS. SOD ANY AREA AS SOON AS POSSIBLE WHICH HAS BEEN LOAMED.
- WINTER NOTES:
 - ALL PROPOSED POST-DEVELOPMENT VEGETATED AREAS WHICH DO NOT EXHIBIT A MINIMUM OF 85% VEGETATIVE GROWTH BY OCTOBER 15TH, OR WHICH ARE DISTURBED AFTER OCTOBER 15TH, SHALL BE STABILIZED BY SEEDING AND INSTALLING EROSION CONTROL BLANKETS ON SLOPES GREATER THAN 3:1, AND SEEDING AND PLACING 3 TO 4 TONS OF MULCH PER ACRE, SECURED WITH ANCHORED NETTING, ELSEWHERE, THE PLACEMENT OF EROSION CONTROL BLANKETS OR MULCH AND NETTING SHALL NOT OCCUR OVER ACCUMULATED SNOW OR ON FROZEN GROUND AND SHALL BE COMPLETED IN ADVANCE OF THAW OR SPRING MELT EVENTS.
 - ALL DITCHES OR SWALES WHICH DO NOT EXHIBIT A MINIMUM OF 85% VEGETATIVE GROWTH BY OCTOBER 15TH, OR WHICH ARE DISTURBED AFTER OCTOBER 15TH, SHALL BE STABILIZED WITH STONE OR EROSION CONTROL BLANKETS APPROPRIATE FOR THE DESIGN FLOW CONDITIONS.
 - AFTER NOVEMBER 15TH, INCOMPLETE ROAD OR PARKING SURFACES SHALL BE PROTECTED WITH A MINIMUM OF 3-INCHES OF CRUSHED GRAVEL OR IF CONSTRUCTION IS TO CONTINUE THROUGH THE WINTER SEASON, BE CLEARED OF ANY ACCUMULATED SNOW AFTER EACH STORM EVENT.

EROSION AND SEDIMENT CONTROL NOTES (CONT.):

- DANDY SACKS ARE SEDIMENT TRAP DEVICES TO BE USED WITH CATCH BASIN GRATES TO FILTER OUT ALL THE SEDIMENT-LADEN STORMWATER. THE SUSPENDED SOLIDS ARE ALLOWED TO SETTLE OUT OF THE SLOWED FLOW AND ARE CAPTURED BY THE SACK AFTER ENTERING THE CATCH BASIN INLET. FOLLOW THE DANDY SACK SEDIMENT TRAP MANUFACTURER'S SPECIFICATIONS AND RECOMMENDATIONS FOR INSTALLATION OF THE DANDY SACK. THE SACK SHALL BE EMPTIED WHEN THE CONTAINMENT AREA IS A 1/3 FULL. SEE THE DETAIL.
- SILT SOCKS CONTROL EROSION BY TRAPPING SEDIMENT AND SLOWING WATER THAT FILTERS THROUGH THE SILT SOCK. THIS WILL CREATE TEMPORARY PONDING DURING HEAVY RAINS. THE SILT SOCKS SHOULD BE INSPECTED REGULARLY TO MAKE SURE THEY HOLD THEIR SHAPE AND ARE PRODUCING ADEQUATE FLOW THROUGH. IF PONDING BECOMES EXCESSIVE AND SEDIMENT REACHES THE TOP OF THE SILT SOCK ADDITIONAL SILT SOCKS SHOULD BE PLACED ON TOP OF THE EXISTING SILT SOCK WITHOUT DISTURBANCE OF THE SOIL OR COLLECTED SEDIMENT.
- THE SITE SUBCONTRACTOR IS RESPONSIBLE FOR ALL SILTATION RESULTING FROM EROSION OR SEDIMENTATION FROM THE SITE TO SURROUNDING PROPERTIES OR WATER BODIES AS A RESULT OF THIS PROJECT.

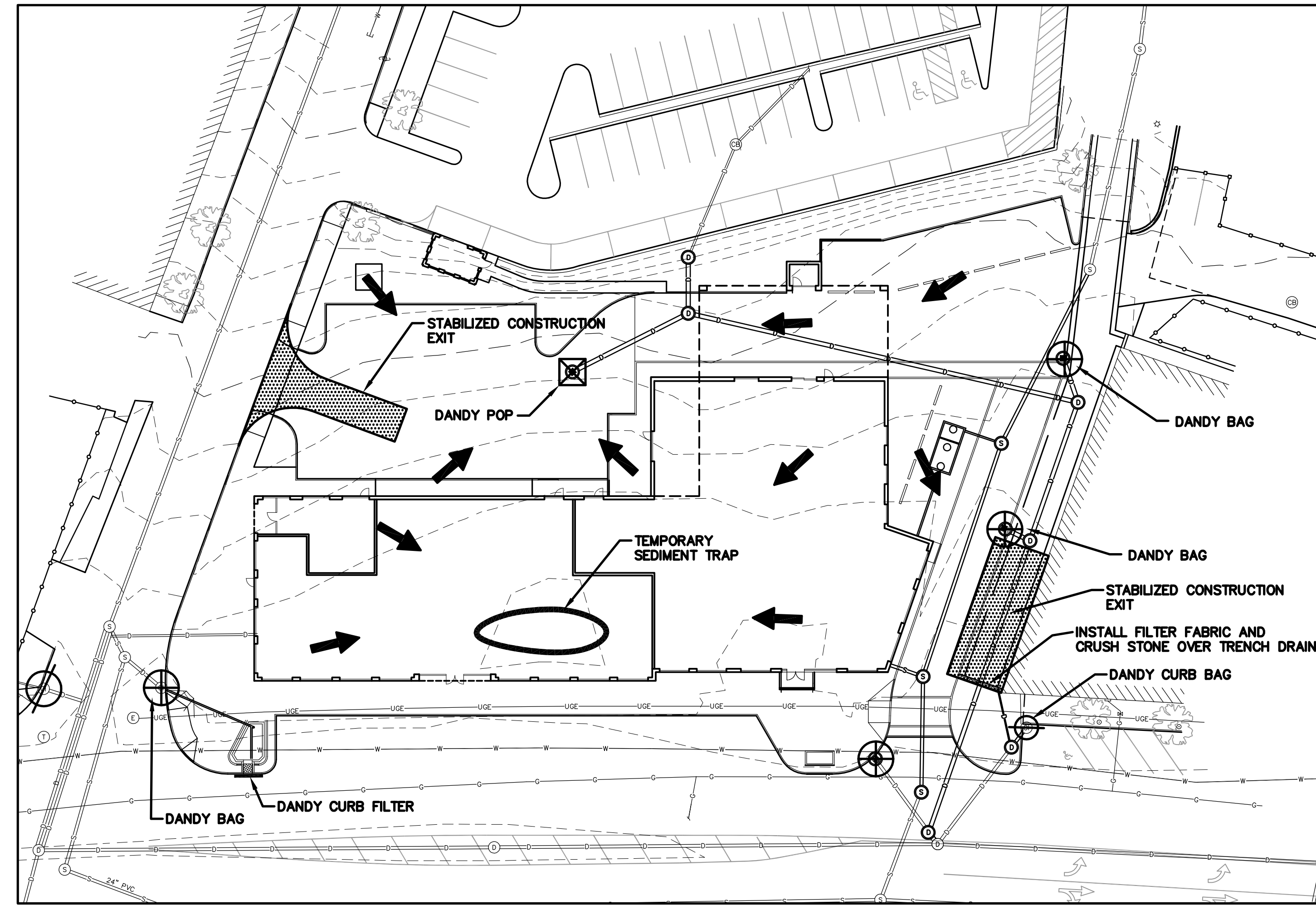
GOOD HOUSEKEEPING NOTES:

- THE PAVED STREET INTO AND FROM THE SITE WILL BE SWEEP AS NECESSARY (COULD BE AS FREQUENT AS DAILY DURING HEAVY EARTH HAULING OPERATIONS) TO REMOVE ANY EXCESS MUD, DIRT, OR ROCK TRACKED FROM THE SITE. DUMP TRUCKS HAULING MATERIAL FROM THE CONSTRUCTION SITE WILL BE COVERED WITH A TARPULIN.
- ALL WASTE MATERIALS WILL BE COLLECTED AND STORED SECURELY IN A METAL DUMPSTER RENTED FROM A LOCAL SOLID WASTE MANAGEMENT COMPANY. THE DUMPSTER WILL MEET ALL LOCAL AND STATE SOLID WASTE MANAGEMENT REGULATIONS. THE DUMPSTER WILL BE EMPTIED AS NECESSARY, AND THE TRASH WILL BE HAULED TO THE LOCAL DUMP OR TRANSFER CENTER. NO WASTE MATERIALS GENERATED BY CONSTRUCTION WILL BE BURIED ON-SITE. ALL PERSONNEL WILL BE INSTRUCTED REGARDING THE CORRECT PROCEDURE FOR WASTE DISPOSAL. NOTICES STATING THESE PRACTICES WILL BE POSTED IN THE OFFICE TRAILER AND THE SITE SUPERINTENDENT MANAGING THE DAY-TO-DAY SITE OPERATIONS WILL BE RESPONSIBLE FOR SEEING THAT THESE PROCEDURES ARE FOLLOWED.
- ALL HAZARDOUS WASTE MATERIALS WILL BE DISPOSED OF IN THE MANNER SPECIFIED BY LOCAL AND STATE REGULATION OR BY THE MANUFACTURER. SITE PERSONNEL WILL BE INSTRUCTED IN THESE PRACTICES AND THE SITE SUPERINTENDENT WILL BE RESPONSIBLE FOR SEEING THAT THESE PRACTICES ARE FOLLOWED.
- A LOCAL LICENSED SANITARY WASTE MANAGEMENT CONTRACTOR WILL COLLECT ALL SANITARY WASTE FROM THE PORTABLE UNITS.

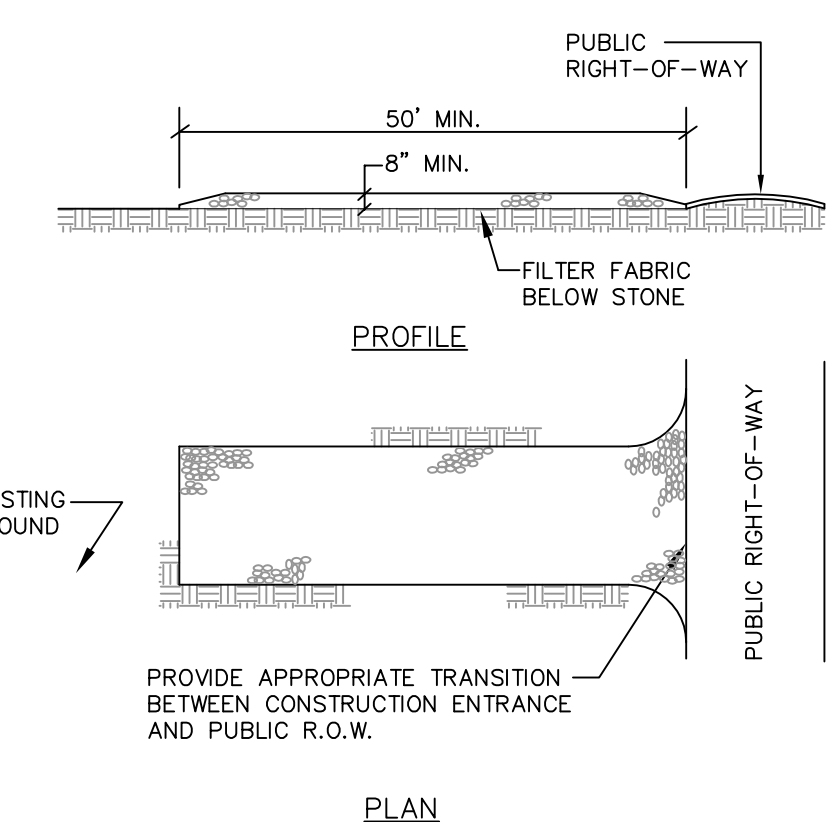
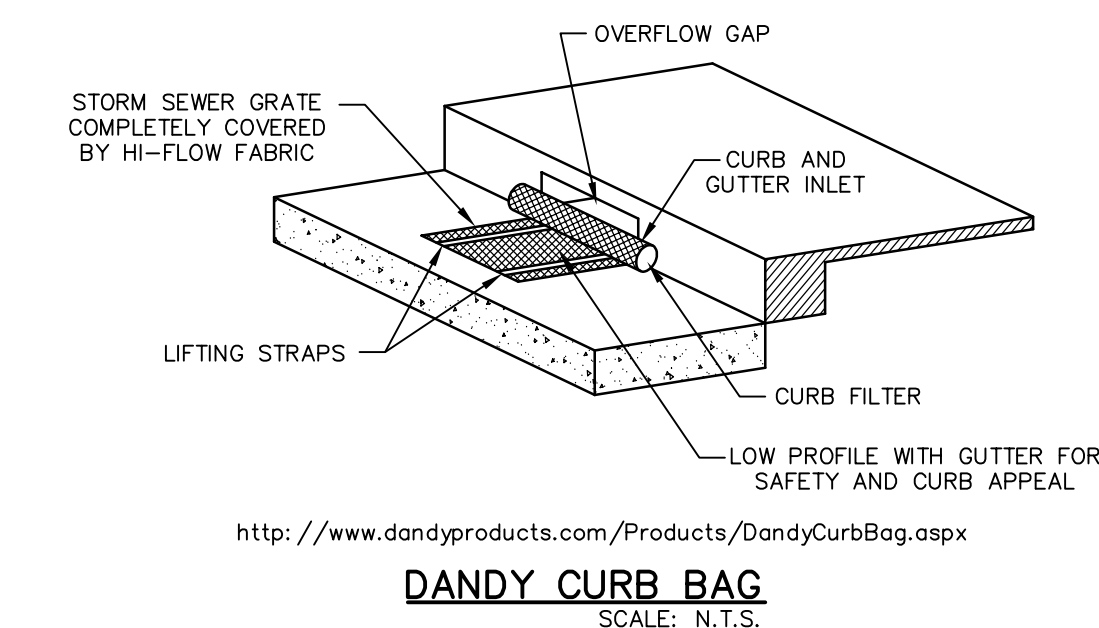
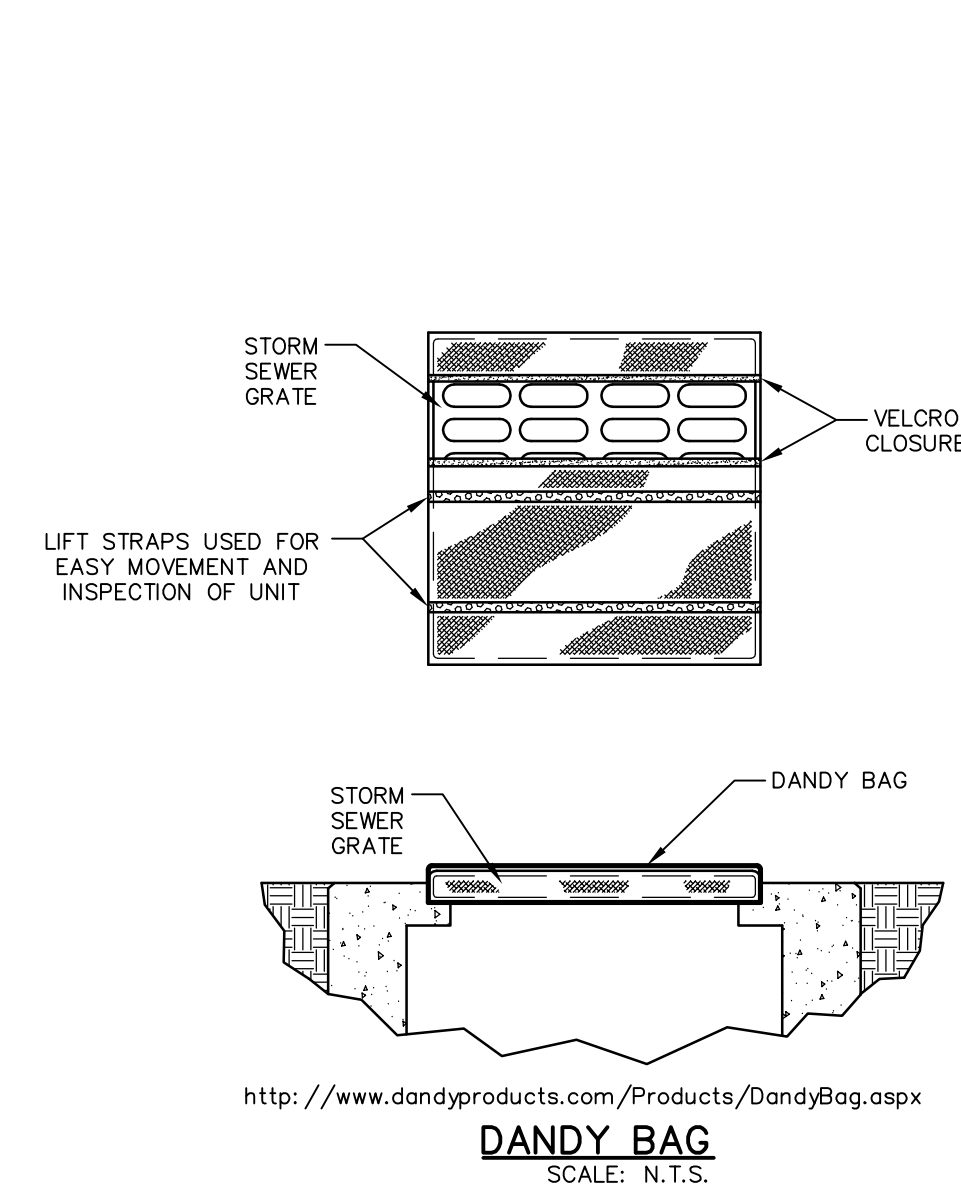


LEGEND

- STABILIZED CONSTRUCTION EXIT
- GRADE TO DRAIN
- DANDY BAG
- DANDY CURB BAG
- DANDY CURB FILTER
- DANDY POP



PHASE II SEDIMENT CONTROL PLAN
DURING & AFTER FOUNDATION CONSTRUCTION
SCALE: 1"=30'



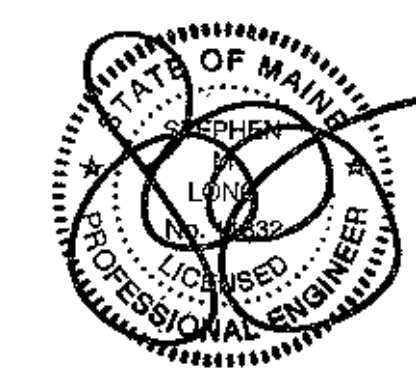
- NOTES:**
- STONE SIZE-- AASHTO DESIGNATION M43, SIZE NO. 2 (2 1/2" TO 1 1/2"). USE CRUSHED STONE.
 - LENGTH-- AS SHOWN ON PLANS, MIN. 50 FEET.
 - THICKNESS-- NOT LESS THAN EIGHT (8) INCHES.
 - WIDTH-- NOT LESS THAN FULL WIDTH OF ALL POINT OF INGRESS OR EGRESS.
 - MAINTENANCE-- THE ENTRANCE SHALL BE MAINTAINED IN A CONDITION WHICH WILL PREVENT TRACKING OR FLOWING OF SEDIMENT ONTO PUBLIC RIGHT-OF-WAY. THIS MAY REQUIRE PERIODIC TOP DRESSING WITH ADDITIONAL STONE AS CONDITIONS DEMAND AND REPAIR AND/OR CLEAN-OUT OF ANY MEASURES USED TO TRAP SEDIMENT. ALL SEDIMENT SPILLED, DROPPED, WASHED OR TRACKED ONTO PUBLIC RIGHT-OF-WAY MUST BE REMOVED IMMEDIATELY.

DATE	REVISION	SCHEDULE
01-02-13	REVISED PER CITY STAFF AND HISTORICAL PLANNING BOARD COMMENTS	B.15
01-15-13	REVISED PER CITY STAFF AND HISTORICAL PLANNING BOARD COMMENTS	B.15

LOPECHED
CONSTRUCTION CORPORATION
11 CORPORATE DRIVE, BELMONT NH 03220
PHONE (603) 327-9090 FAX (603) 327-9191

**TEMPORARY
EROSION & SEDIMENT
CONTROL PLAN**

**COMMERCIAL & MAPLE STREET
MIXED USE DEVELOPMENT
PORTLAND, ME**



DATE: 10-22-12
SCALE: 1"=20'
DRAWN BY: BJS
C07
SHEET: 7 OF 14