

PRODUCT INFORMATION

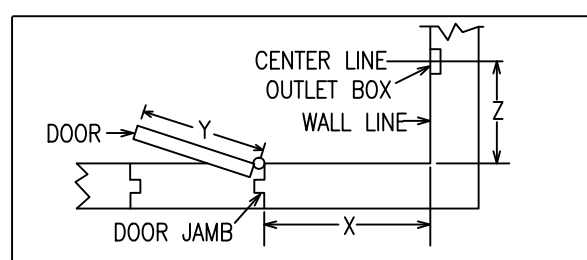
- FEATURES:
- UL LISTED
 - CALIFORNIA STATE FIRE MARSHAL LISTING NUMBERS: DH24120FPC DOOR HOLDERS 3550-1039-0100
 - MOUNTING: WALL, SEMI-FLUSH
 - FINISH: POWDERCOAT CHROME

- SPECIFICATIONS:
- VOLTAGE: OPERATES WITH 24 VDC, 24 VAC, OR 120 VAC
 - CURRENT: 20 mA

DESCRIPTION:
DH24120FPC MAGNETIC DOOR HOLDERS HAVE A MINIMUM HOLDING FORCE OF 40 LBS. UNDER NORMAL CONDITIONS. THE ELECTROMAGNET IS ENERGIZED TO HOLD OPEN THE DOOR. IN THE EVENT OF A FIRE, THE SIMPLEX FIRE ALARM CONTROL PANEL, OR AN APPROVED PERIPHERAL APPLIANCE, WILL AUTOMATICALLY INTERRUPT THE VOLTAGE TO THE DOOR HOLDER RELEASING THE DOOR TO PREVENT THE SPREAD OF SMOKE. DOORS MAY BE MANUALLY OPENED WHEN THE DOOR HOLDER IS ENERGIZED.

- WIRING:
- ALL WIRING TO COMPLY WITH LOCAL CODE.
 - MAINTAIN CORRECT POLARITY
 - CONDUCTORS MUST TEST FREE OF ALL GROUNDS.

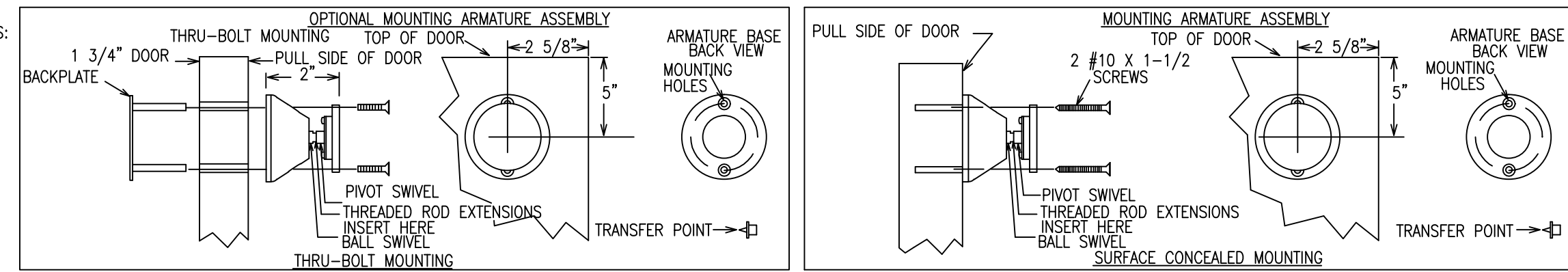
TO LOCATE AND MOUNT OUTLET BOX



Y = DIMENSION OF DOOR		28	30	32	34	36	38	40	42	44	46	48
X	Z = THE INTERSECTION OF X AND Y (THE DIMENSION BETWEEN WALL AND OUTLET BOX)	28	28	29-7/8	32	34	35	38	40	42	43-7/8	45-5/8
2		26	28	29-7/8	32	34	35	38	40	42	43-7/8	45-5/8
4		26	28	29-7/8	32	34	35	38	40	42	43-7/8	45-5/8
6		25-7/8	27-5/8	29-5/8	31-3/4	33-3/4	35-3/4	37-3/4	39-3/4	41-3/4	43-3/8	45-3/8
8		25-1/4	27-1/4	29-1/4	31-3/8	33-1/2	35-1/2	37-3/8	39-1/2	41-1/2	43-3/8	45-1/4
10		24-5/8	26-3/4	28-3/4	30-7/8	33	35	37	39-1/8	41-1/8	43	44-7/8
12		23-3/4	25-7/8	28	30-1/8	32-1/4	34-3/8	36-3/8	39-1/2	40-5/8	42-1/2	44-3/8
14		23-3/4	25	27-1/4	29-3/8	31-1/2	33-3/4	35-7/8	38	40	42	43-7/8
16		21-3/4	24	26-1/4	28-1/2	30-3/4	33	35-1/8	37-1/4	39-3/8	41-3/8	43-3/8
18		20	22-1/2	25	27-3/8	29-3/4	32	34-1/4	36-1/2	38-5/8	40-5/8	42-1/2
20		18-1/4	21	23-1/2	26	28-1/2	30-7/8	33-1/8	35-1/2	37-5/8	39-5/8	41-5/8
22			18-3/4	21-5/8	24-3/8	27	29-3/8	31-3/4	34-1/8	36-1/2	38-5/8	40-3/4
24				22-1/2	25-1/2	28-1/8	30-5/8	33-1/8	35-1/8	37-7/8	40	
26					26-1/4	29	31-5/8	34-1/4	36-1/2	38-5/8		
28						29-3/4	32-1/2	34-7/8	37-1/8			
30						27-3/4	30-5/8	33	35-3/8			
32								31-3/8	33-7/8			

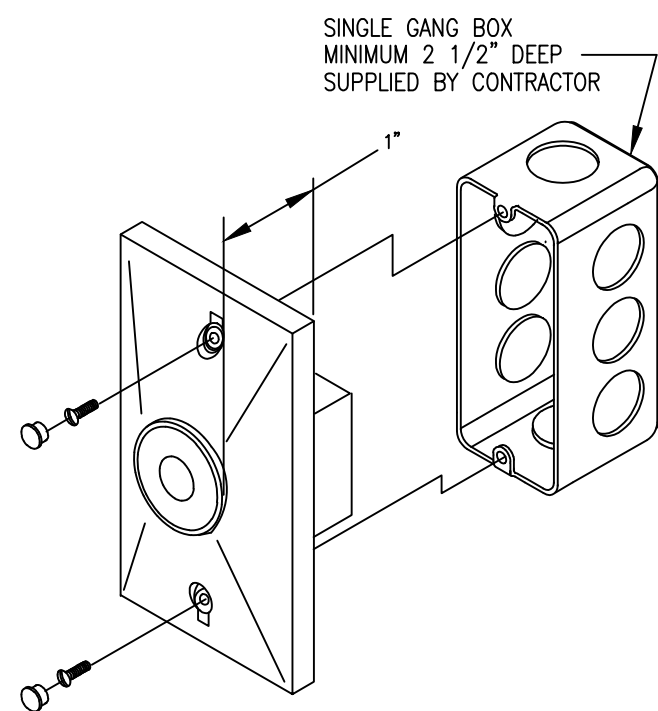
- X = DIMENSION OF DOOR JAMB TO WALL
- REFER TO DRAWING & CHART TO LOCATE OUTLET BOX.
 - INSTALL THE OUTLET BOX ON THE HORIZONTAL CENTER LINE 5" FROM TOP OF DOOR.

DH24120FPC MAGNETIC DOOR HOLDER

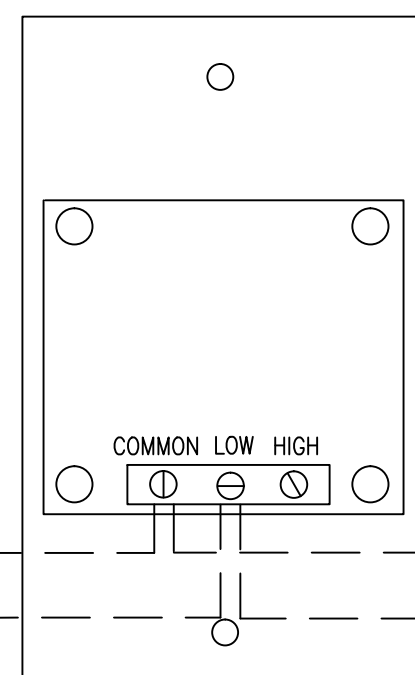


MOUNTING ARMATURE INSTRUCTIONS

- WITH DOOR MAGNET SECURELY FASTENED, ALIGNED AND ENERGIZED, PROCEED WITH SWIVEL BASE ASSEMBLY.
- ATTACH SWIVEL PORTION OF MAGNET, BEING CAREFUL TO CENTER CATCH PLATE OVER MAGNET.
- WITH CATCH PLATE ASSEMBLY ATTACHED MAGNETICALLY TO DOOR MAGNET, PEEL ADHESIVE BACKING OFF MOUNTING TEMPLATE AND SLIDE OVER CATCH PLATE, MAKING SURE ADHESIVE SIDE FACES DOOR.
- GENTLY CLOSE DOOR AND WITH ONE HAND ADJUST BASE OF CATCH PLATE TO LIE FLAT AGAINST DOOR.
- WHILE KEEPING SLIGHT PRESSURE ON DOOR, SLIDE MOUNTING TEMPLATE OVER CATCH PLATE TO DOOR SURFACE AND APPLY PRESSURE TO TEMPLATE IN A FEW SPOTS.
- OPENING DOOR WILL REVEAL MOUNTING TEMPLATE. APPLY FINAL PRESSURE TO INSURE TEMPLATE DOES NOT FALL OFF WHILE ASSEMBLY TAKES PLACE.
- INSERT ALIGNMENT TEMPLATE INTO CENTER OF MOUNTING TEMPLATE. USE TAB TO ROTATE FOR FINE ADJUSTMENT. WHILE HOLDING ALIGNMENT TEMPLATE WITH ONE HAND, REMOVE ADHESIVE BACKING OF TAB, THEN PUSH FLAT AGAINST DOOR.
- IF USING OPTIONAL DOOR BACK PLATE, CENTER PUNCH POINTS INDICATED ON ALIGNMENT TEMPLATE FOR EITHER HORIZONTAL OR VERTICAL MOUNTING. FOR BEST RESULTS DRILL 1/8" PILOT HOLE FIRST, THEN FOLLOW WITH 5/16" DIA. DRILL, DRILL STRAIGHT THROUGH DOOR.
- IF MOUNTING CATCH PLATE ASSEMBLY DIRECTLY TO DOOR, DRILL 1/8" DIA PILOT HOLE APPROXIMATELY 1 TO 1 1/2" DEEP, BEING CAREFUL NOT TO GO THROUGH DOOR.
- FOR EITHER STYLE OF MOUNTING (THRU DOOR/DIRECT) REMOVE ONLY ALIGNMENT TEMPLATE, THEN PLACE SWIVEL IN CENTER ALIGN HOLES, THEN INSERT SCREWS AND TIGHTEN ASSEMBLY FULLY. LASTLY, REMOVE MOUNTING TEMPLATE.



SEMI-FLUSH MOUNTING



tyco
SimplexGrinnell

20 THOMAS DRIVE
WESTBROOK, ME 04092
207-842-6440
SALES
207-842-6440
SERVICE
207-842-6439
© 2013 TYCO SIMPLEXGRINNELL, LP
ALL RIGHTS RESERVED

CHG'D BY	SK	REVISION DESCRIPTION	DATE
		PER SUBMITAL REVIEW	10/31/13
NO.	DATE		
1	11/8/13		

FIRE ALARM & AREA OF RESCUE SYSTEMS

DEVICE WIRING DETAILS

MARRIOTT COURTYARD

PORTLAND MAINE

DRAWN BY:	DATE:
STEPHENS	8/27/13
CHECKED BY:	DATE:
KALAFARSKI	9/4/13
PROJECT NUMBER:	
972833401	
SHEET TITLE:	
FIRE ALARM SYSTEM DEVICE WIRING DETAILS	
SHEET NUMBER:	
FA-705	
FA-705.dwg	