

TrueAlert™ NON-ADDRESSABLE MULTI-CANDELA VISIBLE NOTIFICATION APPLIANCE

PRODUCT INFORMATION

FEATURES:

- UL LISTED TO STANDARD 1971
- ADA COMPATIBLE
- SYNCHRONIZATION FLASH RATE MODE FOR USE WITH:
 - SEPARATE STROBE SYNCHRONIZATION MODULES THAT ARE AVAILABLE FOR CLASS B OR CLASS A OPERATION
 - SEPARATE SMARTSYNC CONTROL MODULES (SCMs) THAT PROVIDE CLASS B OR CLASS A OUTPUT FROM CONVENTIONAL NAC INPUTS

SPECIFICATIONS:

- HOUSING DIMENSIONS: 5-1/8" H X 5" W X 2-3/4" D (130mm X 127mm X 70mm)
- TEMPERATURE RANGE: 32°F TO 122°F (0 TO 50°C)
- HUMIDITY RANGE: 10% TO 93% NON-CONDENSING AT 100°F (38°C)
- TERMINAL BLOCKS FOR 18AWG TO 12AWG; TWO WIRES PER TERMINAL FOR IN/OUT WIRING.

WIRING:

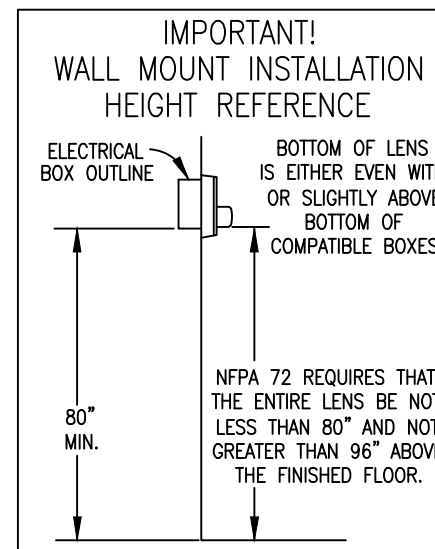
1. NOTIFICATION APPLIANCES ARE RATED PER INDIVIDUAL NAMEPLATE LABEL.
2. MAINTAIN CORRECT POLARITY ON TERMINAL CONNECTIONS. DO NOT LOOP WIRES UNDER TERMINALS.
3. ALL NAC WIRING CONNECTIONS ARE SUPERVISED AND POWER-LIMITED.
4. SEE INSTALLATION INSTRUCTIONS (579-548) FOR ADDITIONAL INFORMATION.

STROBE:

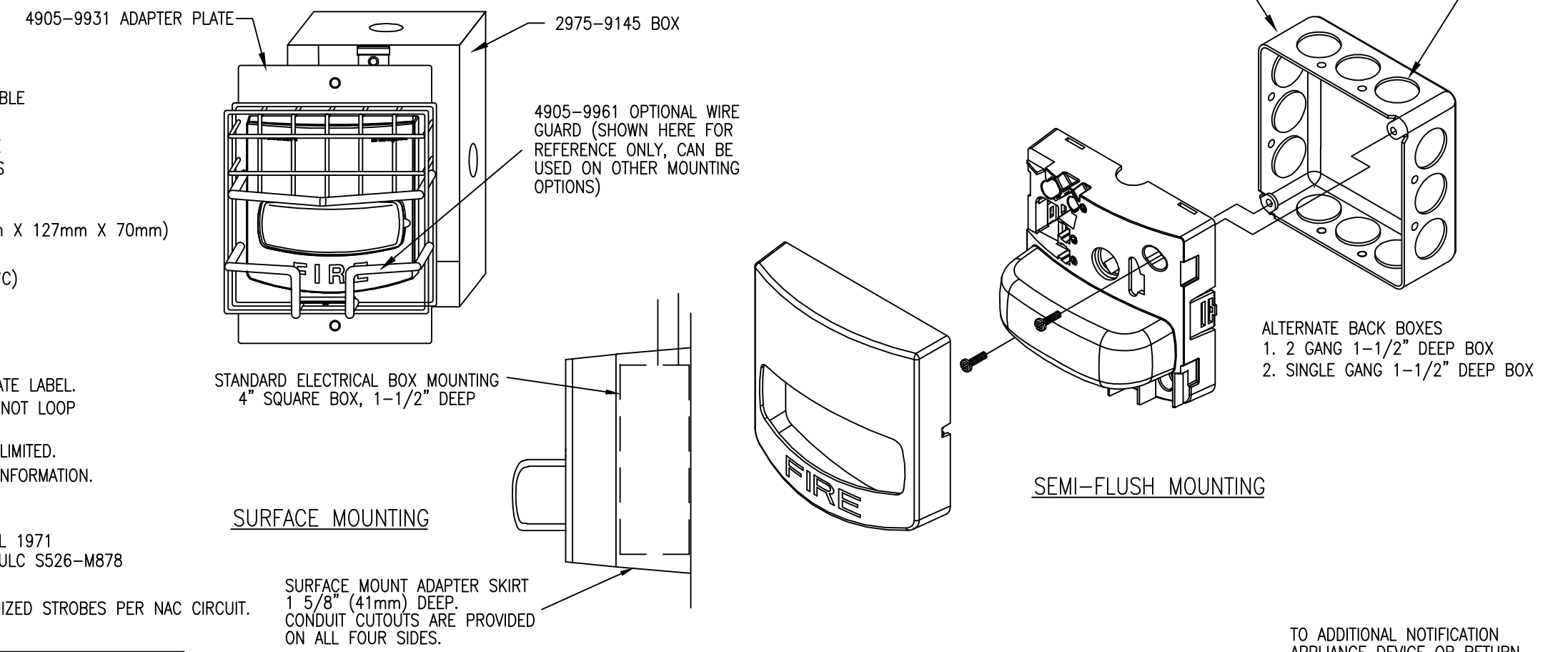
- RATED VOLTAGE RANGE: UL LISTED: 16 VDC TO 33 VDC PER UL 1971
ULC LISTED: 20 VDC TO 30 VDC PER ULC 5526-M878
- FLASH RATE: 1Hz
- SYNCHRONIZED MODE NAC LOADING: MAXIMUM OF 35 SYNCHRONIZED STROBES PER NAC CIRCUIT.

*CURRENT DRAWS REFLECT STROBE FLASHING

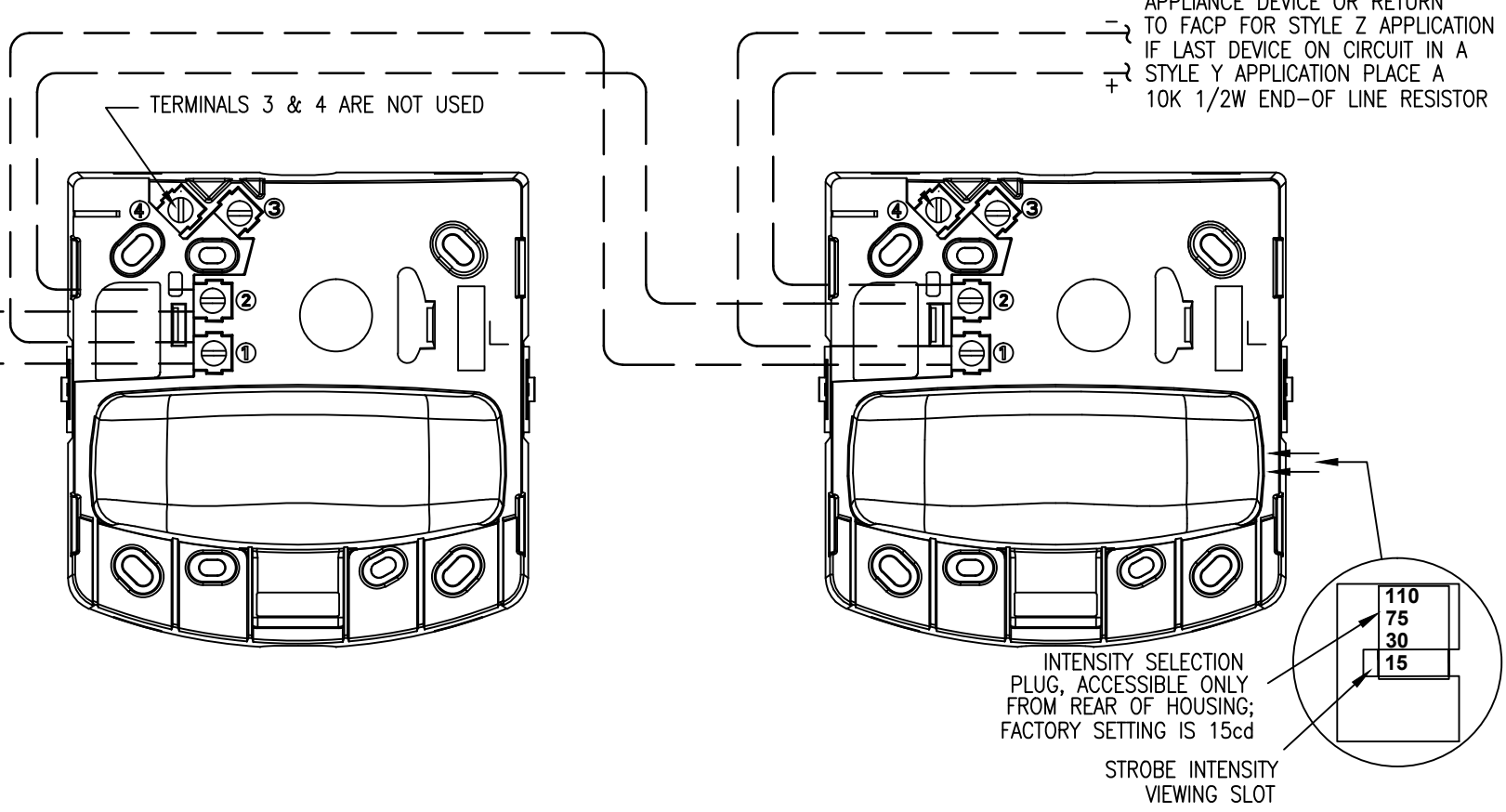
MODEL NUMBER	HOUSING COLOR	LETTERING COLOR	STROBE RATING	16 VDC	RMS CURRENT @	18 VDC	24 VDC
4906-9101	RED	WHITE	15cd	60 mA	53 mA	40 mA	40 mA
			30cd	94 mA	84 mA	63 mA	63 mA
			75cd	186 mA	165 mA	124 mA	124 mA
			110cd	252 mA	224 mA	168 mA	168 mA
4906-9103	WHITE	RED	15cd	60 mA	53 mA	40 mA	40 mA
			30cd	94 mA	84 mA	63 mA	63 mA
			75cd	186 mA	165 mA	124 mA	124 mA
			110cd	252 mA	224 mA	168 mA	168 mA



(WALL MOUNT)



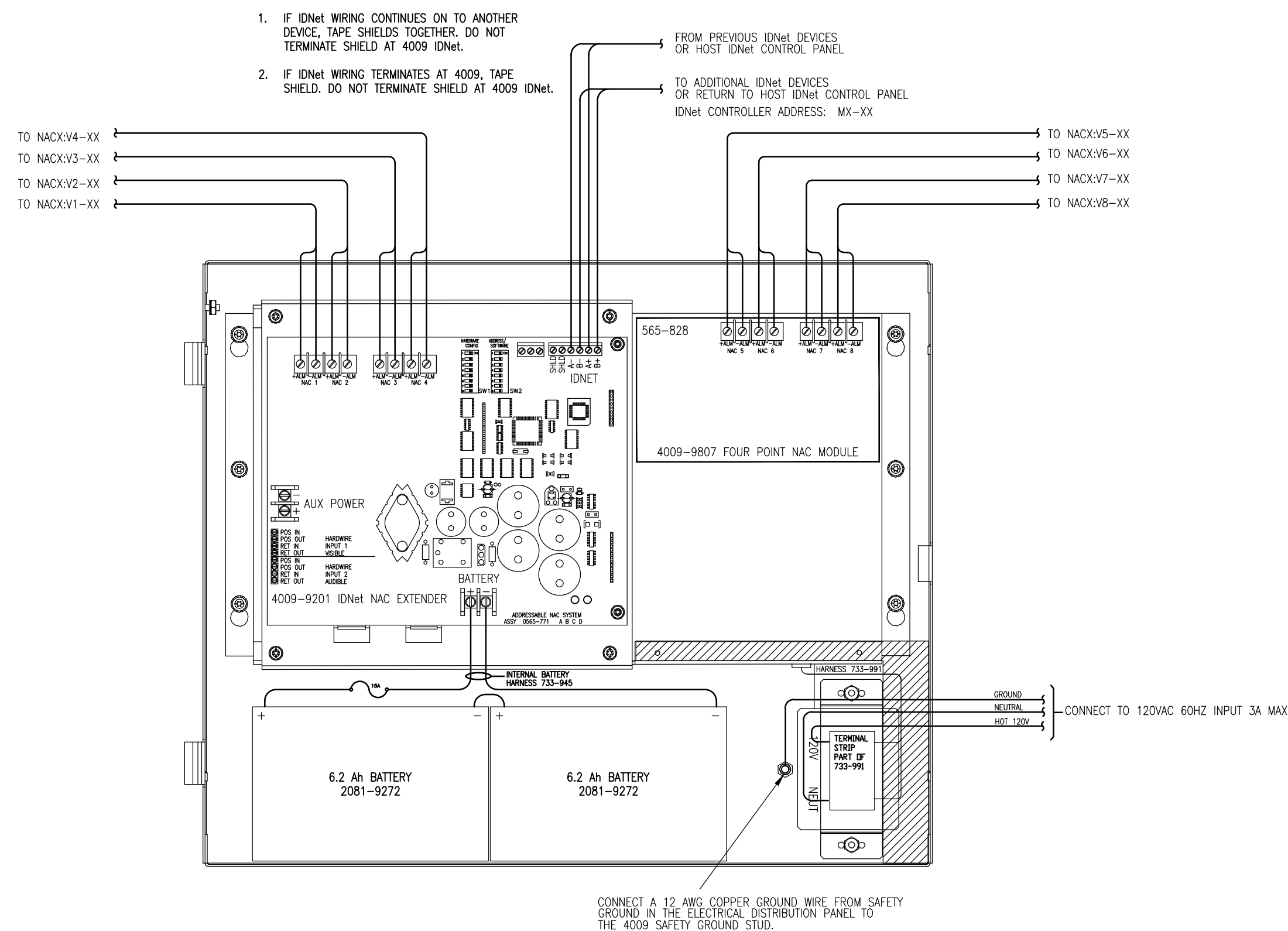
FROM A COMPATIBLE SIMPLEX SMARTSYNC NAC OR FROM SMARTSYNC CONTROL MODULE (SCM) 4905-9938 OR SIMPLEX 4905-9914 OR 9922 SYNC CUBE



4009-9201 NAC EXTENDER PANEL NO. 1

IF OPTIONAL SHIELDS ARE USED FOR IDNet WIRING, FOLLOW THESE PRECAUTIONS.

1. IF IDNet WIRING CONTINUES ON TO ANOTHER DEVICE, TAPE SHIELDS TOGETHER, DO NOT TERMINATE SHIELD AT 4009 IDNet.
2. IF IDNet WIRING TERMINATES AT 4009, TAPE SHIELD, DO NOT TERMINATE SHIELD AT 4009 IDNet.



4905-9835 TEMPORAL CODE 4 MODULE (TC4M) FOR CO GAS ALARM NOTIFICATION (STYLE Y)

PRODUCT INFORMATION

SPECIFICATIONS:

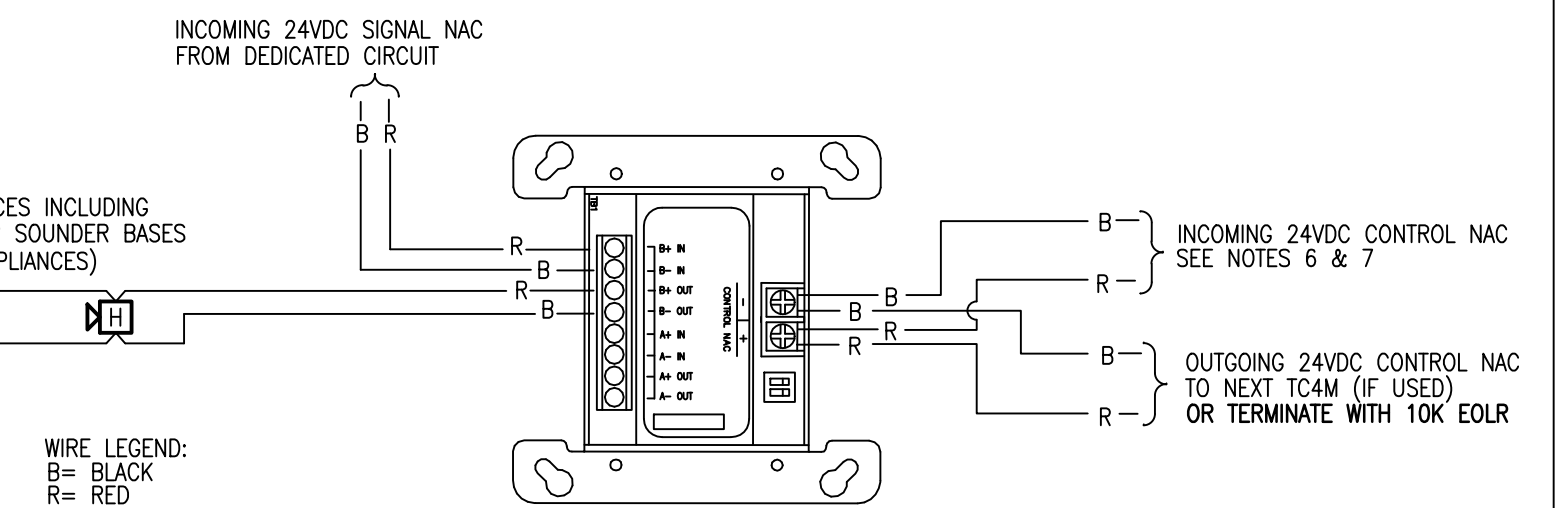
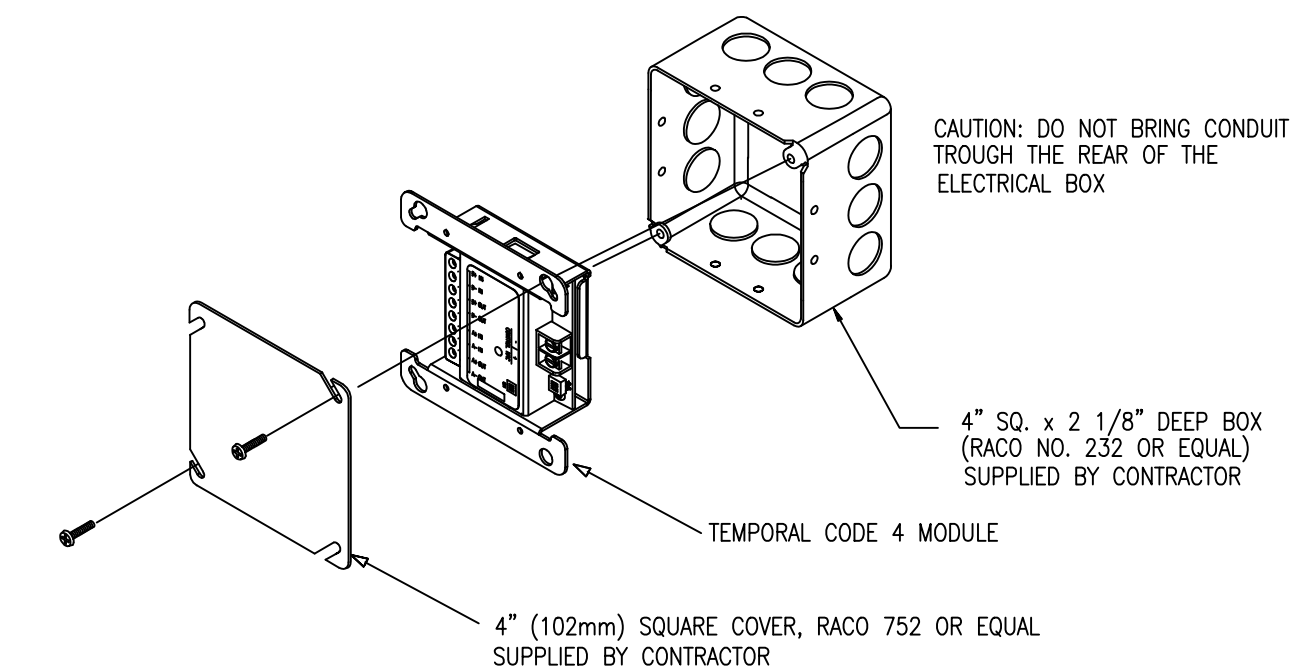
- UL LISTED STANDARD 864
- THREE SELECTABLE OPERATING MODES:
 - SYNCHRONIZED:** ALLOWS A DEDICATED CONTROL NAC TO BOTH ACTIVATE AND SYNCHRONIZE THE TEMPORAL CODE 4 OUTPUT TIMING OF MULTIPLE 4905-9835 MODULES
 - THE PANEL CONTROL NAC OUTPUTS A SYNCHRONIZATION PATTERN
 - SIGNALS ARE SYNCHRONIZED BETWEEN TC4M'S
 - ONE DEDICATED CONTROL NAC IS RESERVED TO COMMAND ALL TC4M'S WITHIN A SYSTEM OF A FIRE (NAC OFF) OR CO ALARM (NAC ON) WHILE SYNCHRONIZING THEM.
 - THE CONTROL NAC IS OFF DURING A FIRE ALARM, AND THEREFORE THE TC4M PASSES THROUGH ANYTHING THAT IS PLAYED ON THE SIGNAL NAC.
 - DURING A CO ALARM, THE SIGNAL NAC IS REQUIRED TO BE ON STEADILY TO SOUND THE TEMPORAL CODE 4.
 - UNSYNCHRONIZED** - ALLOWS A DEDICATED CONTROL NAC TO ACTIVATE THE TEMPORAL CODE 4 OUTPUT TIMING OF MULTIPLE 4905-9835 MODULES
 - THE PANEL CONTROL NAC IS ON DURING A CO GAS ALARM.
 - SIGNALS ARE NOT SYNCHRONIZED BETWEEN TC4M'S.
 - ONE DEDICATED CONTROL NAC IS RESERVED TO COMMAND ALL TC4M'S WITHIN A SYSTEM OF A FIRE (NAC OFF) OR CO ALARM (NAC ON) WHILE SYNCHRONIZING THEM.
 - THE CONTROL NAC IS OFF DURING A FIRE ALARM, AND THEREFORE THE TC4M PASSES THROUGH ANYTHING THAT IS PLAYED ON THE SIGNAL NAC.
 - DURING A CO ALARM, THE SIGNAL NAC IS REQUIRED TO BE ON STEADILY TO SOUND THE TEMPORAL CODE 4.
 - STAND ALONE** - ALLOWS THE INPUT NAC TO ACTIVATE TEMPORAL CODE 4 TIMING FOR NACS DEDICATED FOR CO GAS ALARM
 - ONLY THE TEMPORAL CODE 4 IS OUTPUT.
 - NO CONTROL NAC WIRE IS USED AT THE NAC OR AT THE TC4M. ALL SIGNAL NAC WIRING REMAINS THE SAME.
 - WALKTEST CANNOT BE PLAYED ON THE SIGNAL NAC TIED TO THE TC4M.
 - THE NAC IS ONLY USED FOR CO GAS ALARM (CANNOT BE USED FOR FIRE ALARM).
 - DURING A CO ALARM, THE SIGNAL NAC IS REQUIRED TO BE ON STEADILY TO SOUND THE TEMPORAL CODE 4.
- OPERATING TEMPERATURE RANGE: 32° F TO 120° F (0° C TO 49° C)
- HUMIDITY RANGE: UP TO 93% RELATIVE HUMIDITY @ 100° F (38° C)
- OUTPUT CAPACITY: FOR 24 VDC NACS, UP TO 3 A MAXIMUM, LIMIT IS PER THE INPUT NAC RATING; FOR CONTROL OF AUDIBLE NOTIFICATION APPLIANCES COMPATIBLE WITH CODE PULSE DUTY CYCLE
- SCREW TERMINALS FOR IN/OUT WIRING, 18 TO 12 AWG WIRE

DESCRIPTION:

CO GAS ALARM WARNINGS ARE REQUIRED TO BE DIFFERENT FROM FIRE ALARM WARNINGS. IN THE EVENT OF A CO GAS ALARM, THE PRESENCE OF A TEMPORAL CODE 4 AUDIBLE SIGNAL PATTERN IDENTIFIES THE TYPE OF CONDITION TO THE RESPONDERS TO ASSIST IN DETERMINING THE PROPER ACTIONS TO BE TAKEN. CO GAS ALARM OR FIRE ALARM, USE OF THE 4905-9835 TEMPORAL CODE 4 MODULE ALLOWS THE NFPA 720 TEMPORAL CODE 4 SIGNAL TO BE GENERATED USING A STANDARD STEADY ON AUDIBLE APPLIANCE NAC INPUT. UNDER THE FIRE ALARM PANELS CONTROL, THE AUDIBLE NOTIFICATION SIGNAL CAN BE SELECTED PASS THROUGH THE CONVENTIONAL FIRE PULSE PATTERN FOR A FIRE ALARM CONDITION, OR THE TEMPORAL CODE 4 PATTERN CAN BE ACTIVATED FOR A CO GAS ALARM CONDITION.

WIRING NOTES:

1. FOR MAXIMUM VOLTAGE DROP, ETC., REFER TO SIMPLEX FIELD WIRING GUIDE.
2. MAXIMUM NO. 12 AWG WIRE FOR 24 VDC WIRING, OR TO LOCAL CODE.
3. MAXIMUM POWER OF NAC LOOP = 3 AMPS AT 24 VDC.
4. NAC CIRCUIT WIRING DISTANCES WITH MAXIMUM VOLTAGE DROP OF 3 VOLTS. WHEN COMPUTING DISTANCES ON THE TC4 MODULE OUTPUT, REMEMBER TO ACCOUNT FOR THE WIRING DISTANCE (LOSS) FROM THE CONTROL PANEL, TO THE TC4 MODULE. MAXIMUM LINE DISTANCE= 2000 FEET (RESTRICTED FOR DC SUPERVISION LIMITATIONS)
5. ALL CONNECTIONS MUST TEST FREE OF GROUNDS.
6. SEE INSTALLATIONS INSTRUCTIONS 579-840.
7. WHEN OPERATING WIRING LEAVES THE BUILDING, OVERVOLTAGE PROTECTORS ARE ARE REQUIRED.

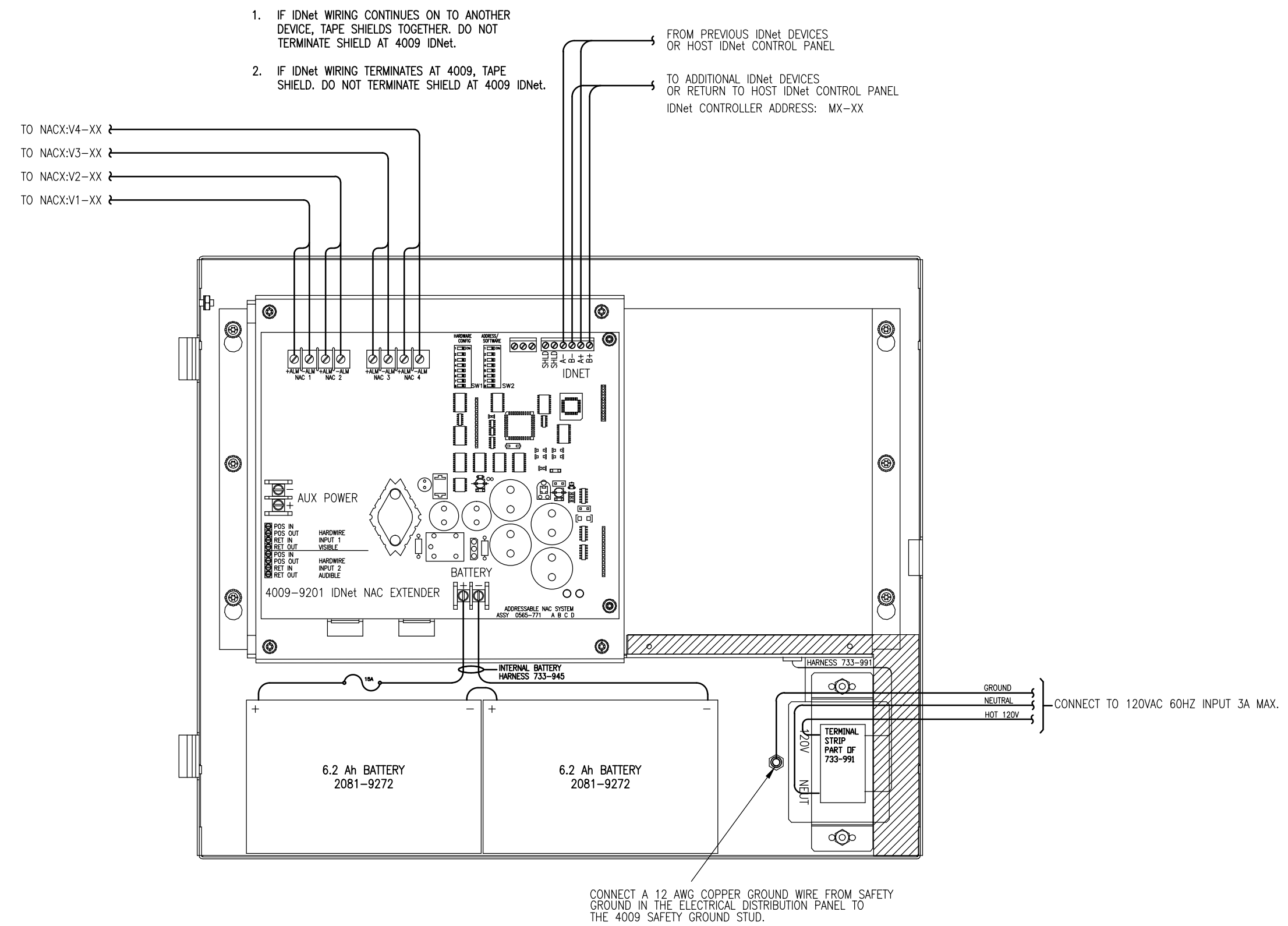


OPERATING MODE	SW 1	SW 2
SYNCHRONIZED	0=OFF	0=OFF
UNSYNCHRONIZED	1=ON	0=OFF
STAND ALONE	1=ON	1=ON
N/A	0=OFF	1=ON

4009-9201 NAC EXTENDER PANEL NO. 2

IF OPTIONAL SHIELDS ARE USED FOR IDNet WIRING, FOLLOW THESE PRECAUTIONS.

1. IF IDNet WIRING CONTINUES ON TO ANOTHER DEVICE, TAPE SHIELDS TOGETHER, DO NOT TERMINATE SHIELD AT 4009 IDNet.
2. IF IDNet WIRING TERMINATES AT 4009, TAPE SHIELD, DO NOT TERMINATE SHIELD AT 4009 IDNet.



CHG BY	SK
REVISION DESCRIPTION	
DATE	11/08/13
NO.	PER SUBMITAL REVIEW DATED 10/31/13

DRAWN BY:	DATE:
STEPHENS	8/27/13
CHECKED BY:	DATE:
KALAFARSKI	9/4/13
PROJECT NUMBER:	
972833401	
SHEET TITLE:	
FIRE ALARM SYSTEM DEVICE WIRING DETAILS	
SHEET NUMBER:	
FA-704	