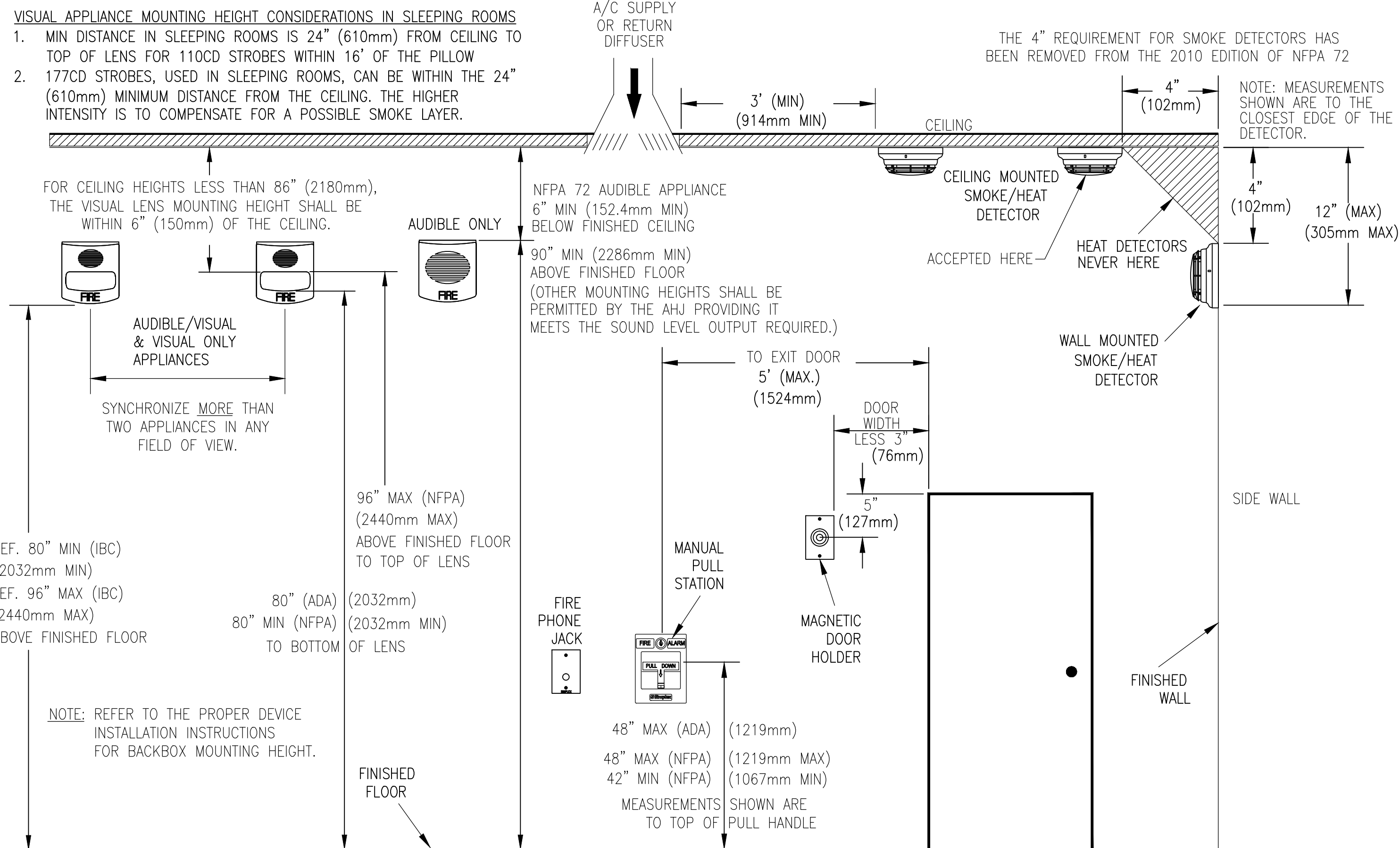


DEVICE MOUNTING HEIGHT REFERENCE (PER NFPA 72)



4100ES BACKBOX INSTALLATION

INSTRUCTIONS

- REMOVE ELECTRONIC CARD CAGE (IF PRESENT) AND STORE IT IN A SAFE DRY AREA.
- NO KNOCKOUTS PROVIDED. CUT CONDUIT/SERVICE ENTRANCE OPENINGS. REFER TO FIG. 1 FOR PROPER LOCATIONS. CONDUIT PROTRUSION INTO BOX 1/2" MAX.
- MOUNT BOX TO WALL: BOX MUST BE LEVEL AND PLUMB. FOR SURFACE MOUNT USE TEAR DROP AND CLEARANCE HOLES ON BACK SURFACE. FOR SEMI-FLUSH MOUNT: USE WALL STUD GUIDES FOR MAXIMUM ALLOWABLE BOX DEPTH TO PROVIDE OPEN DOOR CLEARANCE. USE KNOCKOUTS ON SIDE WALL, SCREW OR NAIL BOX TO WALL STUDS.
- MINIMUM DISTANCE BETWEEN ANY TWO BOXES IS 3 1/4" (6" MAXIMUM).
- IF PRESENT, USE WIRE MANAGEMENT BRACKETS ON BOX SIDES TO SECURE WIRE RUNS.
- NEMA RATING: NEMA 1 - GENERAL PURPOSE.
- DO NOT LOCATE POWER-LIMITED WIRING IN THE SHADED AREAS OF THE BACKBOX, THIS AREA IS RESERVED FOR NON-POWER LIMITED CIRCUITRY SUCH AS AC POWER, BATTERIES AND CITY CONNECTION.
- REFER TO SIMPLEX BACKBOX INSTALLATION DOCUMENT 579-117 FOR DETAILED INSTRUCTIONS.

NOTE: ADA REQUIREMENTS LIMIT THE ALLOWABLE PROTRUSION OF OBJECTS MOUNTED IN PUBLIC ACCESSIBLE WALKS, HALLS, CORRIDORS, PASSAGEWAYS OR AISLES. THE 4 INCH (100mm) RESTRICTION APPLIES TO ANY ITEM IN WHICH THE MEASUREMENT FROM THE FLOOR TO THE BOTTOM OF THE UNIT IS MORE THAN 27 INCHES.

PKG. SIZE	PID NUMBER	BOX HEIGHT
1 BAY	2975-9407	22"
2 BAY	2975-9408	40"
3 BAY	2975-9409	56"
1 BAY	2975-9410	22"
2 BAY	2975-9411	40"
3 BAY	2975-9412	56"
1 BAY	2975-9438	22"
2 BAY	2975-9439	40"
3 BAY	2975-9440	56"

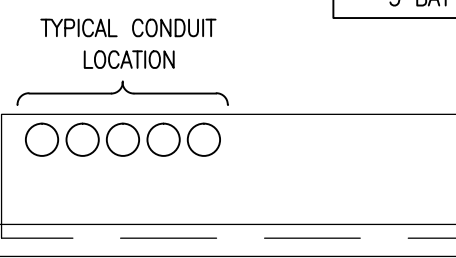
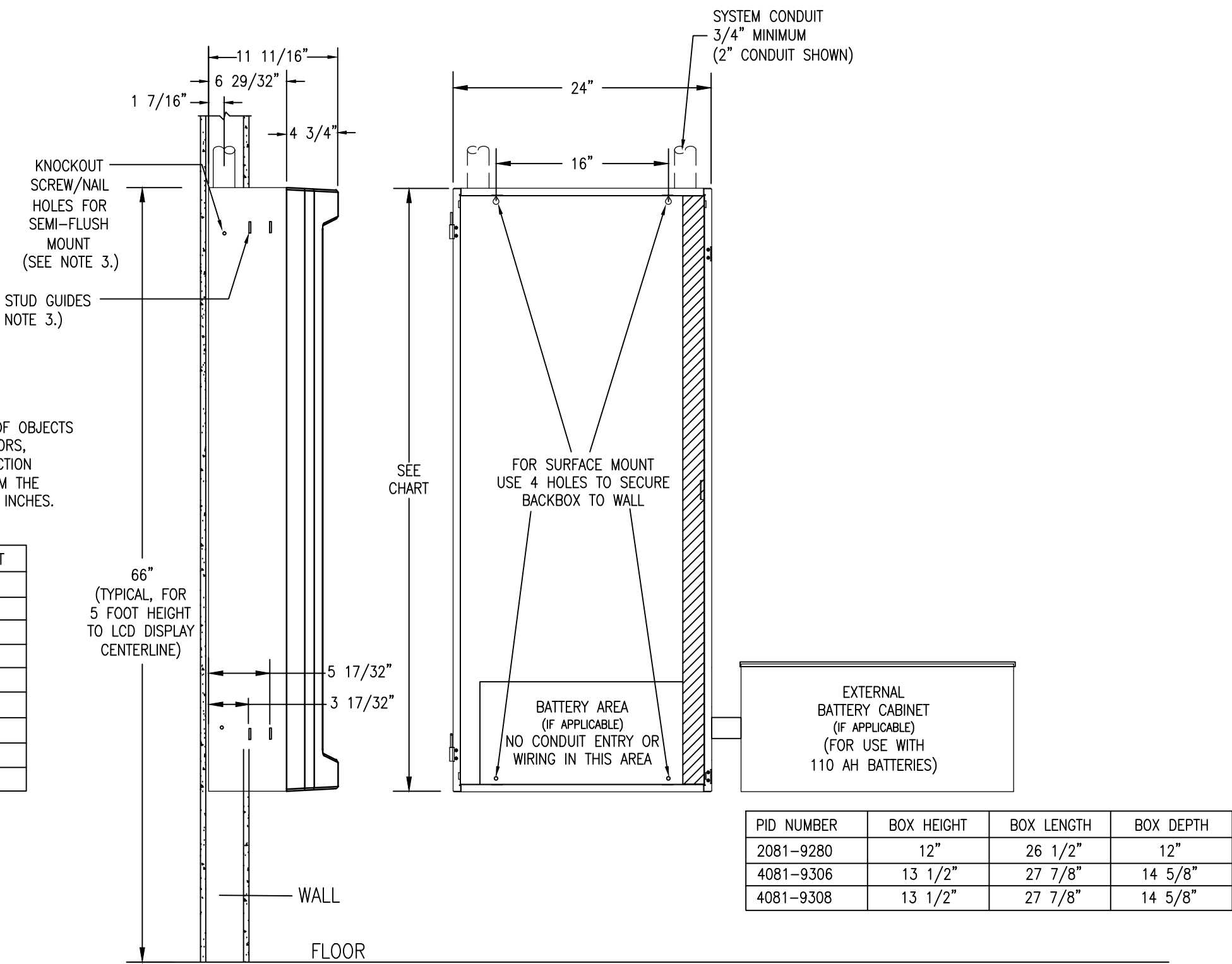


FIG. 1



PRODUCT INFORMATION

- FEATURES:**
- UL LISTED
 - FM APPROVED
 - FLUSH MOUNT ON STANDARD ELECTRICAL BOXES

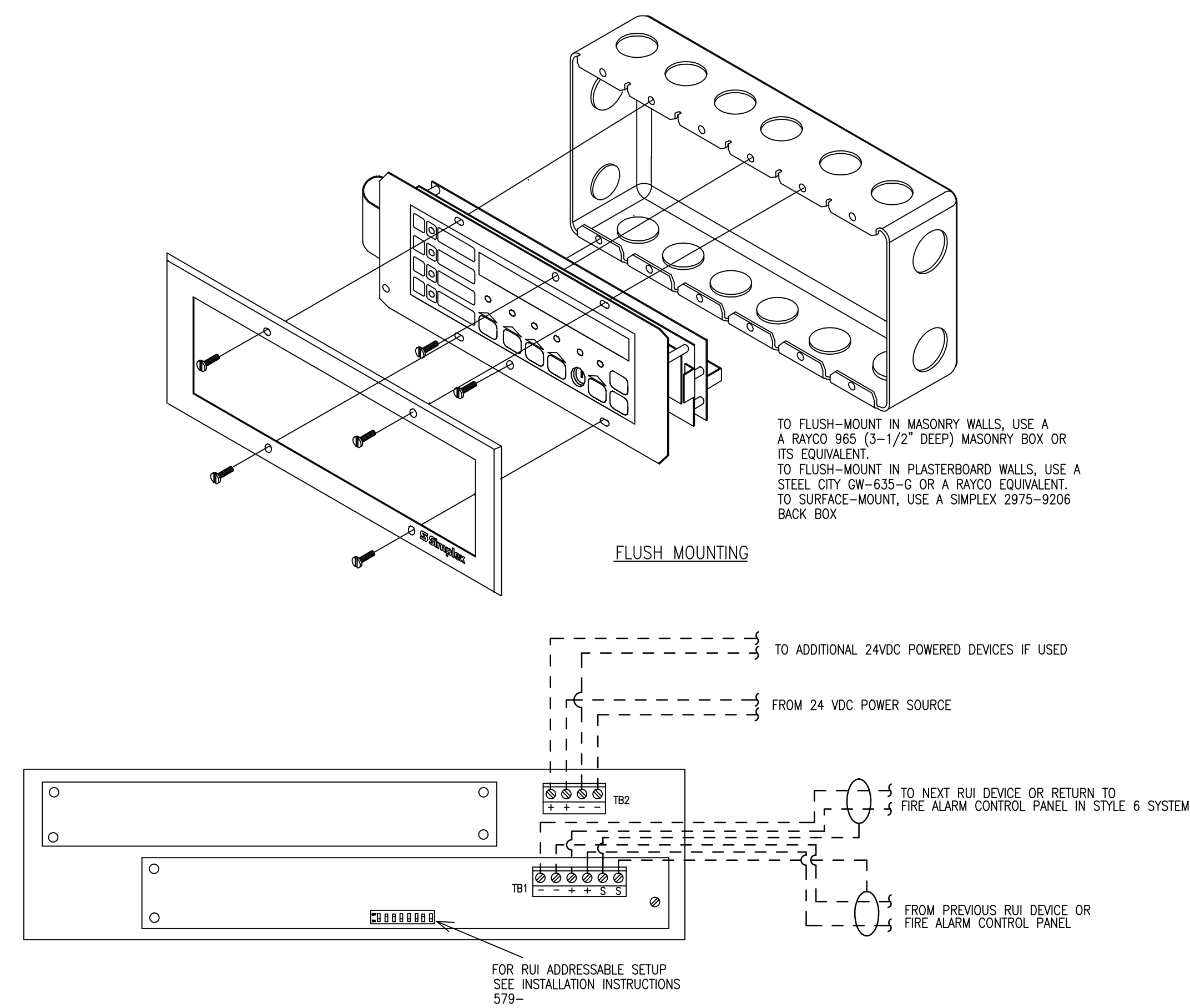
- SPECIFICATIONS:**
- VOLTAGE: 24VDC NOMINAL
 - CURRENT: ALARM 140mA SUPERVISORY 65mA
 - OPERATING TEMPERATURE: 32° F TO 120° F
 - HUMIDITY RANGE: 10% TO 90% RH FROM 32° F TO 104° F
 - STANDARD TRIM: BEIGE (SUPPLIED WITH BOTH SLOTTED AND TAMPERPROOF SCREWS)

- OPTIONS**
- BRUSHED ALUMINUM TRIM: 4603-9111
 - SURFACE BOX: 2975-9206
 - DIMENSIONS 11 31/32" L X 4 5/8" W X 2 3/4" D
 - FINISH: LIGHT BROWN ENAMEL

NOTES:

- ALL WIRING TO BE NO. 18 AWG OR TO LOCAL CODE.
- ALL WIRING SUPERSEDED
- WIRE TO BE 18 AWG TWISTED SHIELDED PAIR RECOMMENDED CONSULT SALES ENGINEERING FOR EXCEPTIONS. 2500 FT ONE WAY MAX COMMUNICATION LINE POWER 32 VDC MAX 130 mA MAX 1200 OR 9600 BAUD
- WHEN WIRING LEAVES THE BUILDING, OVER VOLTAGE PROTECTORS ARE REQUIRED. USE 2081-9044 ONE IS INSTALLED WHERE IT LEAVE THE BUILDING AND ONE WHERE IT ENTERS THE NEXT BUILDING. TWO 2081-9044 (MAX)

4603-9101 REMOTE ANNUNCIATOR



PRODUCT INFORMATION

- FEATURES:**
- UL LISTED
 - DOUBLE ACTION (PUSH/PULL), IDNET ADDRESSABLE
 - PULL LEVEL PROTRUDES WHEN ALARMED
 - TAMPER RESISTANT RESET KEY LOCK
 - MOUNTING: SEMI-FLUSH, SURFACE
 - OPERATING TEMPERATURE RANGE: 32 - 120° F
 - OPERATING HUMIDITY RANGE: 0 - 93% RH
 - ADAPTER PLATES 2099-9813 OR 2099-9814 CAN BE USE FOR RETROFIT APPLICATIONS.
 - 5" HIGH X 3 3/4" WIDE X 1" DEEP
 - SCREW TERMINALS FOR 18 TO 14 AWG WIRE
 - ADDRESSED BY MEANS OF AN 8 POSITION DIP SWITCH
 - COMPATIBLE WITH IDNET/MAPNET

OPERATION:

- ACTIVATION:**
- 4099-9003 DOUBLE ACTION STATION REQUIRES A FIRM DOWNWARD PULL TO ACTIVATE THE ALARM SWITCH - COMPLETING THIS ACTION BREAKS AN INTERNAL PLASTIC BREAK-ROD THAT IS VISIBLE BELOW THE PULL LEVER (USE OF PLASTIC ROD IS OPTIONAL). THE PULL LEVER LATCHES INTO THE ALARM POSITION AND REMAINS EXTENDED OUT OF THE HOUSING TO PROVIDE A VISIBLE INDICATION.
- RESETTING:**
- 4099-9003 DOUBLE ACTION STATION REQUIRES A KEY TO RESET THE ACTIVATION LEVER AND DEACTIVATE THE ALARM SWITCH. (IF OPTIONAL PLASTIC BREAK ROD WAS USED IT MUST BE REPLACED)

CONSTRUCTION:

- STATION HOUSING AND PULL LEVER ARE CONSTRUCTED OF CHIP RESISTANT AND DIRT RESISTANT, HIGH IMPACT LEXAN.
- HOUSING IS RED WITH RAISED WHITE LETTERING AND PULL LEVER IS WHITE WITH RED RAISED LETTERING.
- * LEXAN IS A REGISTERED TRADEMARK OF THE GENERAL ELECTRIC CO.

APPLICATION:

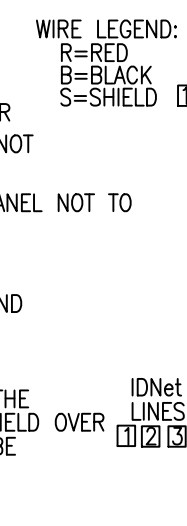
- PULL STATIONS SHALL BE INSTALLED IN ACCORDANCE WITH NFPA 72 AND ADA GUIDE LINES.

INTRODUCTION:

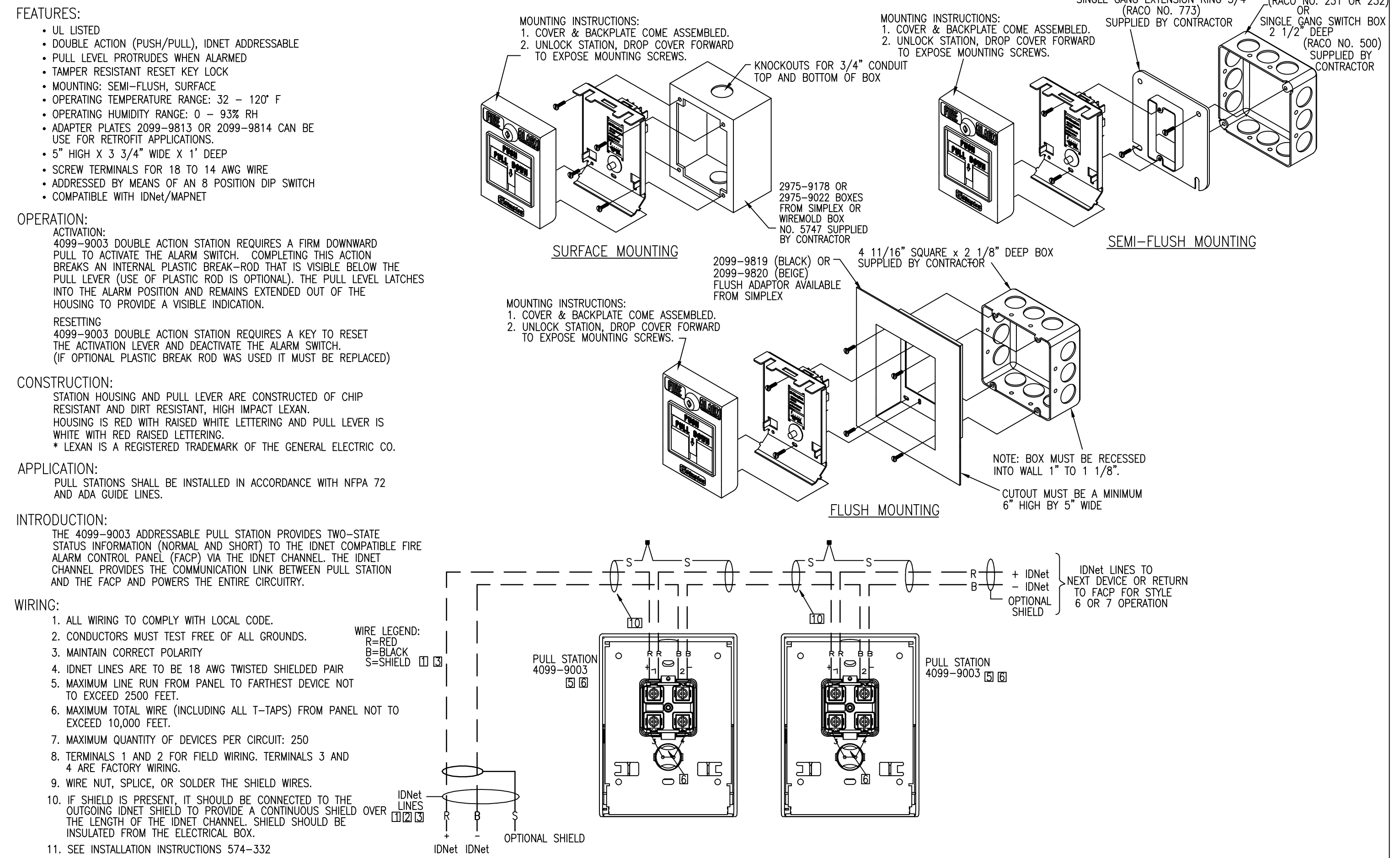
- THE 4099-9003 ADDRESSABLE PULL STATION PROVIDES TWO-STATE STATUS INFORMATION (NORMAL AND SHORT) TO THE IDNET COMPATIBLE FIRE ALARM CONTROL PANEL (FACP) VIA THE IDNET CHANNEL. THE IDNET CHANNEL PROVIDES THE COMMUNICATION LINK BETWEEN PULL STATION AND THE FACP AND POWERS THE ENTIRE CIRCUITRY.

WIRING:

- ALL WIRING TO COMPLY WITH LOCAL CODE.
- CONDUCTORS MUST TEST FREE OF ALL GROUNDS.
- MAINTAIN CORRECT POLARITY
- IDNET LINES ARE TO BE 18 AWG TWISTED SHIELDED PAIR
- MAXIMUM LINE RUN FROM PANEL TO FARTHEST DEVICE NOT TO EXCEED 2500 FEET.
- MAXIMUM TOTAL WIRE (INCLUDING ALL T-TAPS) FROM PANEL NOT TO EXCEED 10,000 FEET.
- MAXIMUM QUANTITY OF DEVICES PER CIRCUIT: 250
- TERMINALS 1 AND 2 FOR FIELD WIRING. TERMINALS 3 AND 4 ARE FACTORY WIRING.
- WIRE NUT, SPLICE, OR SOLDER THE SHIELD WIRES.
- IF SHIELD IS PRESENT, IT SHOULD BE CONNECTED TO THE OUTGOING IDNET SHIELD TO PROVIDE A CONTINUOUS SHIELD OVER THE LENGTH OF THE IDNET CHANNEL. SHIELD SHOULD BE INSULATED FROM THE ELECTRICAL BOX.
- SEE INSTALLATION INSTRUCTIONS 574-332



4099-9003 IDNet DOUBLE ACTION PUSH STATION



CHG BY	SK	REVISION DESCRIPTION	DATE
		PER SUBMITAL REVIEW	10/31/13

NO.	DATE	NO.	DATE
1	11/8/13		

FIRE ALARM & AREA OF RESCUE SYSTEMS

DEVICE WIRING DETAILS

MARRIOTT COURTYARD

PORTLAND MAINE

DRAWN BY: STEPHENS **DATE:** 8/27/13

CHECKED BY: KALAFARSKI **DATE:** 9/4/13

PROJECT NUMBER: 972833401

SHEET TITLE: FIRE ALARM SYSTEM DEVICE WIRING DETAILS

SHEET NUMBER: FA-701