

HOOD INFORMATION - Job#2081270

HOOD NO.	TAG	MODEL	LENGTH	MAX. COOKING TEMP.	TOTAL EXH. CFM	EXHAUST PLENUM RISER(S)					TOTAL SUPPLY CFM	HOOD CONSTRUCTION	HOOD CONFIG.	
						WIDTH	LENG.	DIA.	CFM	S.P.			END TO END	RDW
1	Left	5424 ND-2-PSP-F	10' 0.00"	600 Deg.	2400	10"	23"		2400	-0.723"	2070	430 SS Where Exposed	LEFT	ALONE
2	Right	5424 ND-2-PSP-F	10' 11.00"	600 Deg.	3275	10"	31"		3275	-1.001"	2260	430 SS Where Exposed	RIGHT	ALONE
3		5424 ND-2-PSP-F	12' 0.00"	600 Deg.	3000	10"	28"		3000	-0.842"	2400	430 SS Where Exposed	ALONE	ALONE
4	Dish	5424 VHB-G	6' 0.00"	700 Deg.	1200			12"	600	-0.066"	0	304 SS 100%	ALONE	ALONE

HOOD INFORMATION

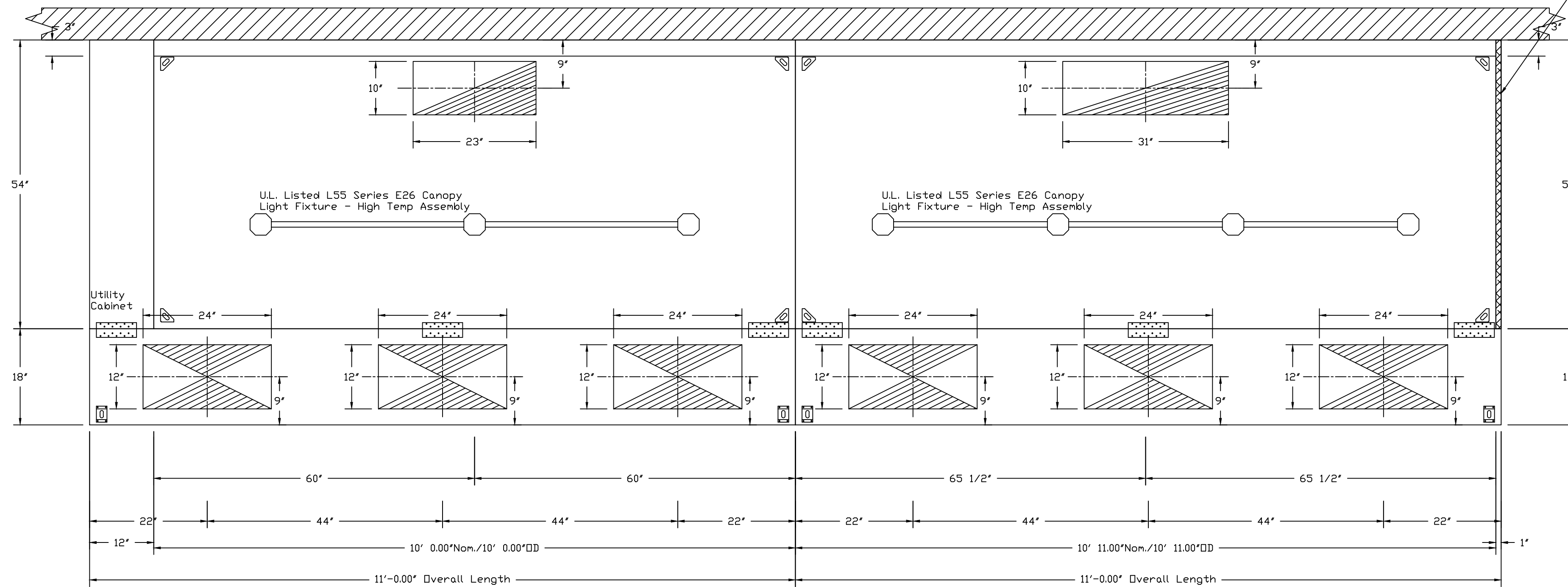
HOOD NO.	TAG	FILTER(S)				LIGHT(S)				UTILITY CABINET(S)				FIRE SYSTEM PIPING	HOOD HANGING WGT.
		TYPE	QTY.	HEIGHT	LENGTH	QTY.	TYPE	WIRE GUARD	LOCATION	TYPE	SIZE	ELECTRICAL MODEL #	SWITCHES QUANTITY		
1	Left	Captrate Solo Filter	7	20"	16"	3	L55 Series E26	ND	Left					ND	508 LBS
2	Right	Captrate Solo Filter	8	20"	16"	4	L55 Series E26	ND						ND	567 LBS
3		Captrate Solo Filter	9	20"	16"	4	L55 Series E26	ND						ND	566 LBS
4	Dish					0								ND	365 LBS

HOOD OPTIONS

HOOD NO.	TAG	FIELD WRAPPER	HEIGHT	OPTION
1	Left	FIELD WRAPPER	18.00" High	Front, Left
		BACKSPLASH	80.00" High X 408.00" Long	430 SS
2	Right	FIELD WRAPPER	18.00" High	Front, Right
		RIGHT SIDESPLASH	80.00" High X 44.00" Long	430 SS
		RIGHT END STANDOFF (FINISHED)	1" Wide 54" Long	Insulated
		BACKSPLASH - INSIDE CORNER	80.00" High X 2.00" Leg Length	430 SS
		BACKSPLASH - OUTSIDE CORNER	80.00" High X 2.00" Leg Length	430 SS
3		FIELD WRAPPER	18.00" High	Front, Left, Right
		BACKSPLASH	80.00" High X 144.00" Long	430 SS
4	Dish	FIELD WRAPPER	18.00" High	Front, Left, Right

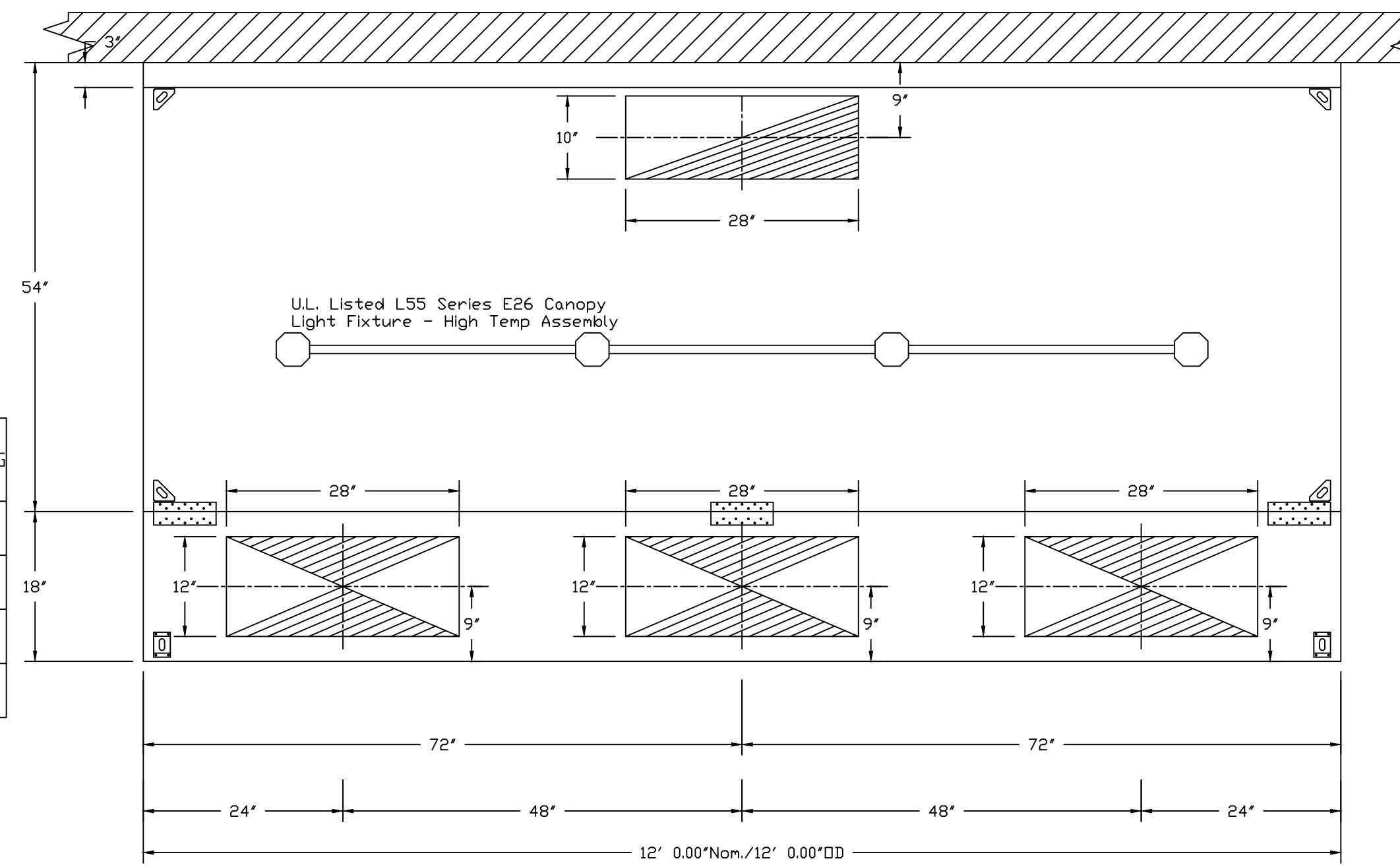
PERFORATED SUPPLY PLENUM(S)

HOOD NO.	TAG	POS.	LENGTH	WIDTH	HEIGHT	TYPE	RISER(S)				
							WIDTH	LENG.	DIA.	CFM	S.P.
1	Left	Front	132'	18'	6'	MUA	12"	24"		690	0.210"
							12"	24"		690	0.210"
							12"	24"		690	0.210"
2	Right	Front	132'	18'	6'	MUA	12"	24"		753	0.248"
							12"	24"		753	0.248"
							12"	24"		753	0.248"
3		Front	144'	18'	6'	MUA	12"	28"		800	0.238"
							12"	28"		800	0.238"
							12"	28"		800	0.238"

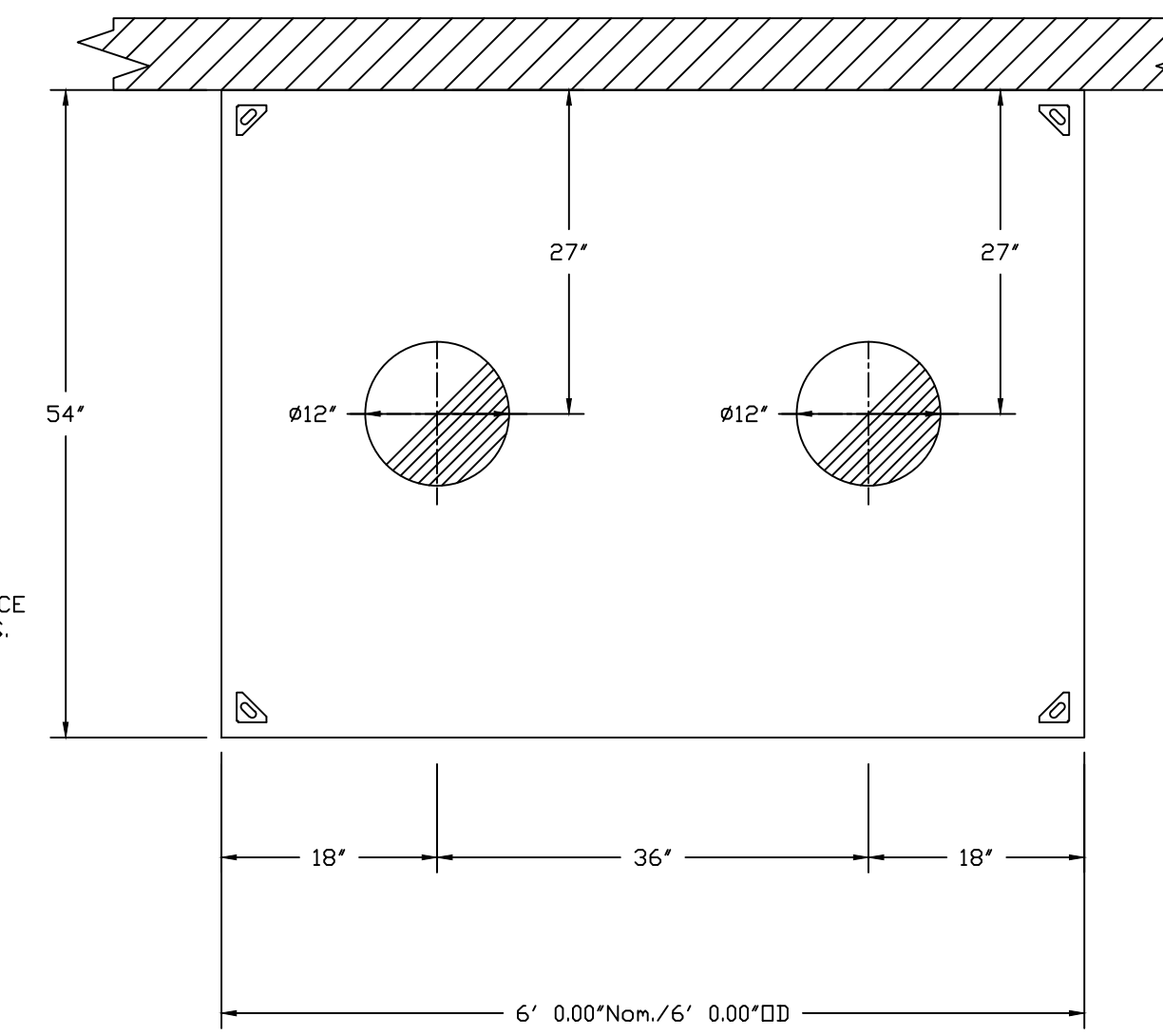


PLAN VIEW - Hood #1 (Left)
10' 0.00" LONG 5424ND-2-PSP-F

PLAN VIEW - Hood #2 (Right)
10' 11.00" LONG 5424ND-2-PSP-F



PLAN VIEW - Hood #3
12' 0.00" LONG 5424ND-2-PSP-F
NOTE: Additional hanging angles provided for hoods 12' and longer.



PLAN VIEW - Hood #4 (Dish)
6' 0.00" LONG 5424VHB-G

REVISIONS

DESCRIPTION	DATE

CAPTIVE

New England Office
450 Cottage Street, Suite 4, Springfield, MA, 01104 PHONE: (413) 694-8980 FAX: (919) 227-6966 EMAIL: reg7@captiveair.com

Tiga, Portland ME
PORTLAND, ME, 04101

DATE: 7/1/2014
DWG.#: 2081270
DRAWN BY: SAC
SCALE: 3/4" = 1'-0"
MASTER DRAWING

SHEET NO.
1