

PROGRESS PRINT
NOT FOR CONSTRUCTION

HVAC UNIT SCHEDULE

TAG	Lennox / McQuay Model	Unit											Cooling						Gas Heating				Notes		
		Electrical			Efficiency		Supply Fan				EAT		LAT		Total Capacity	Sensible Capacity	Ambient DB (°F)	Compressor		Type	Size	Stages		Total Capacity (Btu/hr)	
		Voltage	MCA (A)	MROPD (A)	IEER	IEER	Airflow (CFM)	ESP (inH ₂ O)	TSP (inH ₂ O)	Motor Size (HP)	Efficiency	EDB (°F)	EWB (°F)	LDB (°F)				LWB (°F)	Refrigerant						
HVAC-1	LG-HD60S4T	208/60/3	32	45	12.5	15.5	2000	0.75	0.95	1	2' Merv7	80	67	57.5	56.6	63300	47475	95	2 Stages	R410A	Gas	65 MBH	On/Off	52000	1,2,4,5,6,9,10
HVAC-2	DPS007A	208/60/3	43.4	50	12.4	20.1	3000	0.75	1.21	4	2' Merv7	80	67	57	56.9	95419	75312	95	Inverter Compressors	R410A	Gas	300 MBH	Modulating 10:1	240000	1,5,6,7,9
HVAC-3	LG-HD60S4T	208/60/3	31	45	12.5	15.5	2000	0.5	0.7	1	2' Merv7	80	67	57.5	56.6	63300	47475	95	2 Stages	R410A	Gas	65 MBH	On/Off	52000	1,2,4,5,6,9,10
HVAC-4	LG-HD62HM	208/60/3	45	50	12.5	14	3000	0.75	1.11	2	2' Merv7	80	67	58.5	56.8	93000	67890	95	2 Stages	R410A	Gas	130 MBH	H/Low/Off	104000	1,5,6,7,9,10
HVAC-5	DPS007A	208/60/3	34.6	45	12.4	20.1	3200	0.75	1.3	2.3	2' Merv7	80	67	57.7	57.5	95227	78153	95	Inverter Compressors	R410A	Gas	300 MBH	Modulating 10:1	240000	1,5,6,7,9
HVAC-6	DPS007A	208/60/3	34.6	45	12.4	20.1	2750	0.75	1.18	2.3	2' Merv7	80	67	56.2	56.1	94264	71716	95	Inverter Compressors	R410A	Gas	400 MBH	Modulating 10:1	320000	1,5,6,7,9
HVAC-7	DPS007A	208/60/3	38.4	50	12.4	20.1	4100	0.75	1.6	4	2' Merv7	80	67	59.8	59.5	95057	90484	95	Inverter Compressors	R410A	Gas	80 MBH	Modulating 5:1	96000	1,5,6,7,9
HVAC-8	LG-HD60S4T	208/60/3	28	40	12.5	15.5	2000	0.5	0.7	1	2' Merv7	80	67	58.7	57	63300	47475	95	2 Stages	R410A	Gas	65 MBH	On/Off	52000	1,2,3,5,6,8,10
HVAC-9	LG-H120HM	208/60/3	46	50	12	13.8	4000	0.75	1.34	3	2' Merv7	80	67	60.5	57.4	124400	117100	95	2 Stages	R410A	Gas	188 MBH	H/Low/Off	144000	1,2,3,5,6,8,10
HVAC-C1	KGA02434D	208/60/1	21	30	11.4	13	818	0.5	0.55	0.25	2' Merv7	80	67	57.9	57.2	24468	19033	95	2 Stages	R410A	Gas	65 MBH	On/Off	52000	1,2,3,5,6,8
HVAC-C2	DPS003A	208/60/3	21.7	30	13.2	16.5	1100	0.75	1.18	4	2' Merv7	80	67	56.4	56.4	36832	28344	95	Inverter Compressors	R410A	Gas	80 MBH	Modulating 5:1	64000	1,2,3,5,6,7,8

Notes

1. Stainless steel heat exchanger
2. Enthalpy economizer
3. Barometric relief dampers
4. Power exhaust fan
5. Disconnect switch/GFCI outlet
6. Coil corrosion protection
7. Dehumidification control
8. Standard 14" roof curb
9. Horizontal duct curb
10. Multistage air volume

REVISION	SCHEDULE	BY	DATE
REVISION DESCRIPTION			

OPENRIDGE

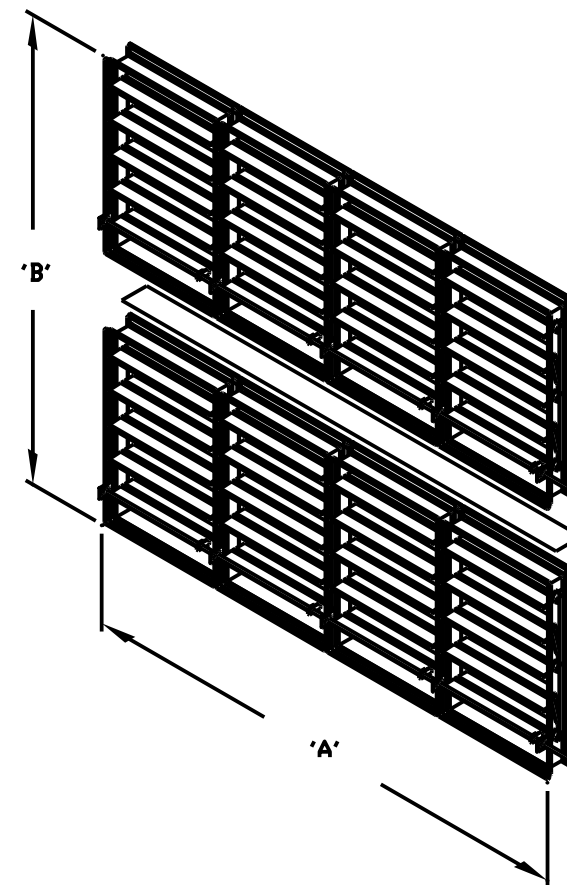
CONSTRUCTION CORPORATION
11 CORPORATE DRIVE, BELMONT, NH 03320
PHONE: (603) 527-9090 FAX: (603) 527-9191

MECHANICAL SCHEDULES & DETAILS

PROJECT: COMMERCIAL & MAPLE STREET MIXED USE DEVELOPMENT PORTLAND, ME.

DATE: 05-2013
SCALE: 1/8" = 1'-0"
DRAWN BY:
SHEET:

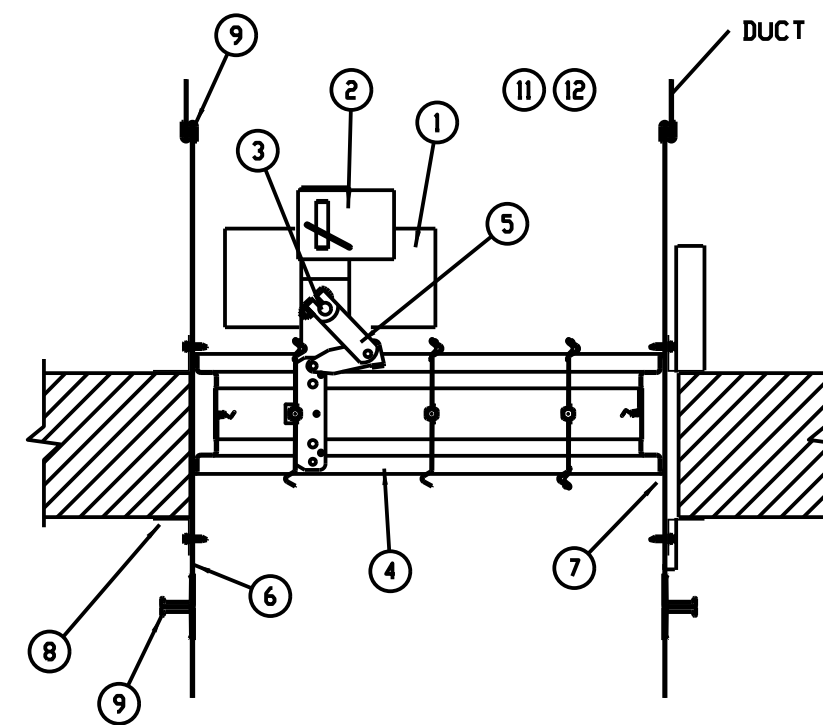
MAX UL CLASSIFIED SIZE
FSD60 DB, 60-110B, 370B, 360B, 350B, 340B



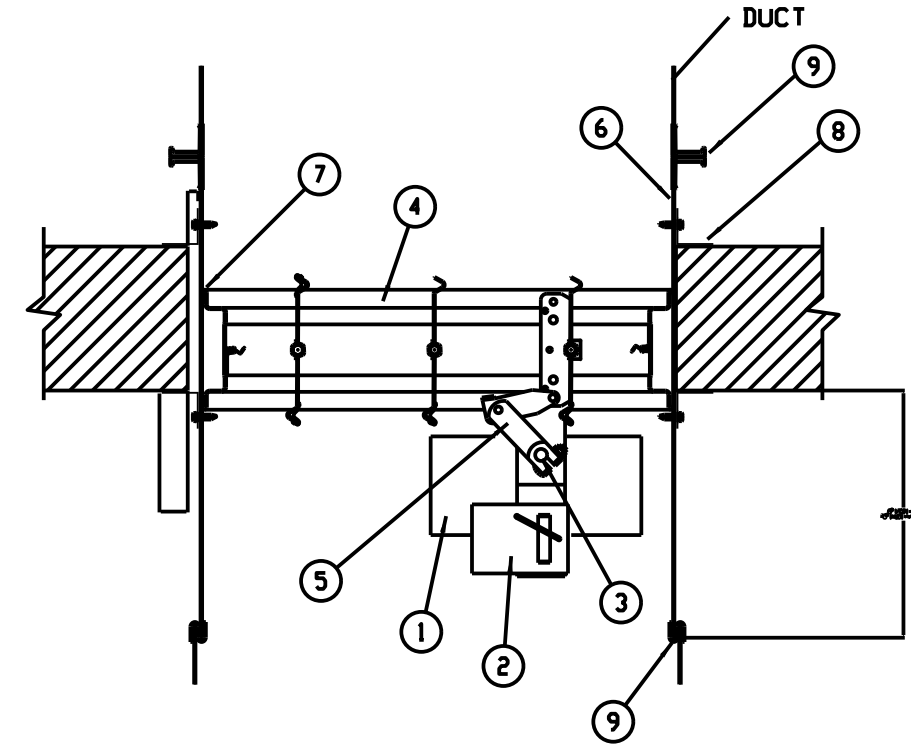
- MA = 126" (3200) FOR FSD360B
- MA = 120" (3048) FOR FSD340B, 350B, 370B, 60 DB, 60-110B
- MB = 122" (3099) FOR FSD360B
- MB = 98" (2489) FOR FSD60DB, 60-110B
- MB = 95" (2413) FOR FSD340B, 350B, 370B

14 GAGE (2) X DAMPER
"A" DIMENSION X 5" (127) WIDE REINFORCING PLATE

- ITEM DESCRIPTION
1. ACTUATOR w/ END SWITCH (LOCATION MAY VARY). RUSKIN'S UL LISTED FIRE DAMPER, OR GREENHECK. ACTUATORS MAY BE FIELD INSTALLED IF PROPERLY LABELED. SEE ACTUATOR INSTALLATION INSTRUCTIONS FOR FIELD MOUNTING OF DAMPER ACTUATORS.
 2. FIRESTAT OR SP100
 3. AUXILIARY OPERATING JACK SHAFT
 4. FIRE / SMOKE DAMPER
 5. OVER CENTER LOCK
 6. SLEEVE
 7. CAULKING MATERIAL (MAY BE ON EITHER SIDE OF DAMPER FRAME)
 8. PFMA OR CONVENTIONAL MOUNTING ANGLES
 9. S-JOINT/DUCT MATE, SLEEVE TO DUCT
 10. RUSKIN MODEL NUMBERS LISTED. APPROVED EQUAL PRODUCTS FROM GREENHECK ARE ACCEPTABLE.
 11. PROVIDE ACCESS DOORS AS REQUIRED.
 12. PROVIDE SMOKE DETECTORS.

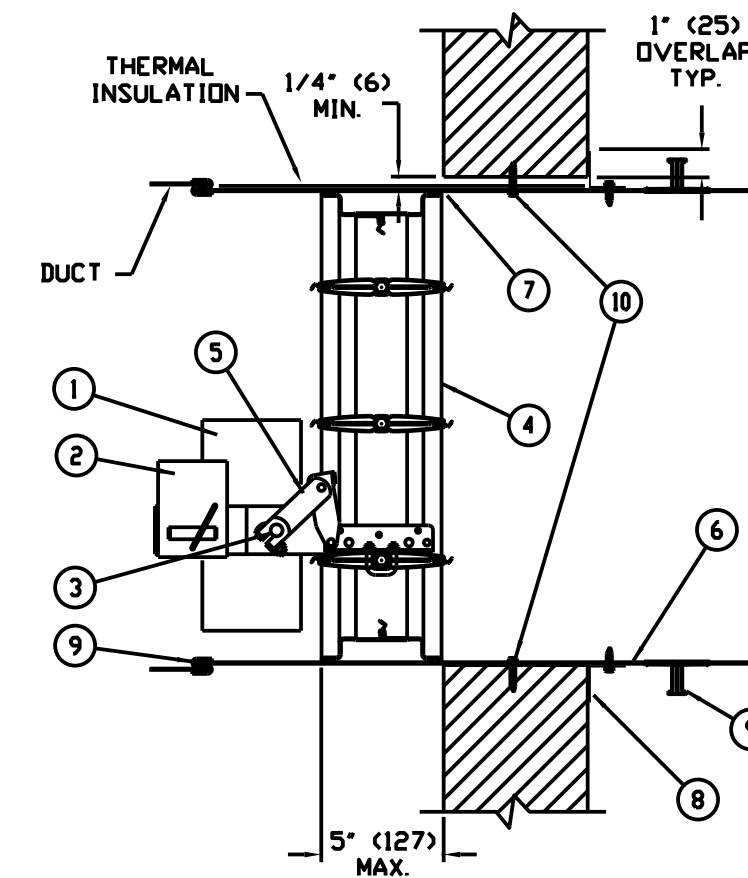


ACTUATOR ABOVE DAMPER



ACTUATOR BELOW DAMPER

FSD60 OUT OF WALL INSTALLATION



COMBINATION FD / SD INSTALLATION DETAIL

NT5