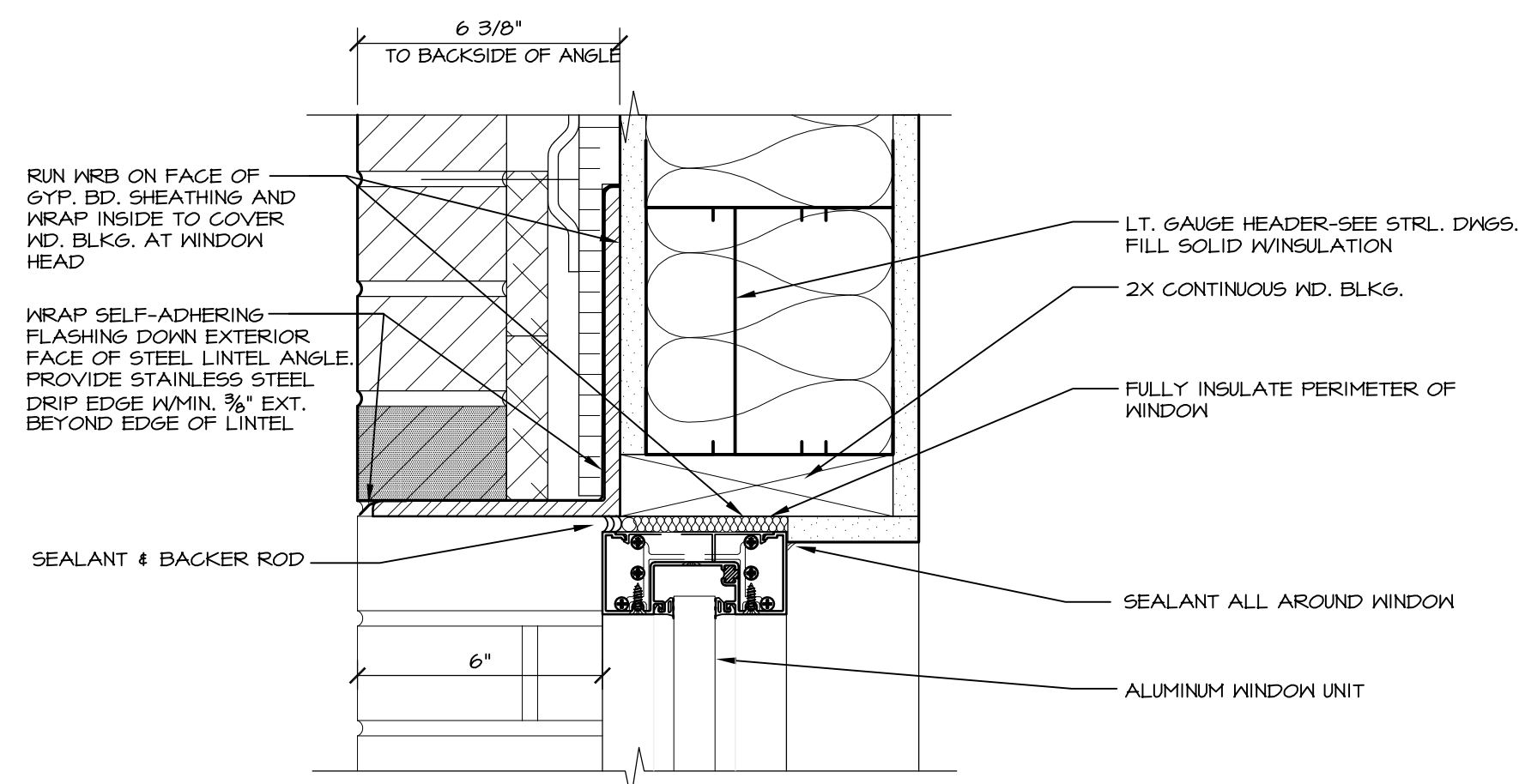
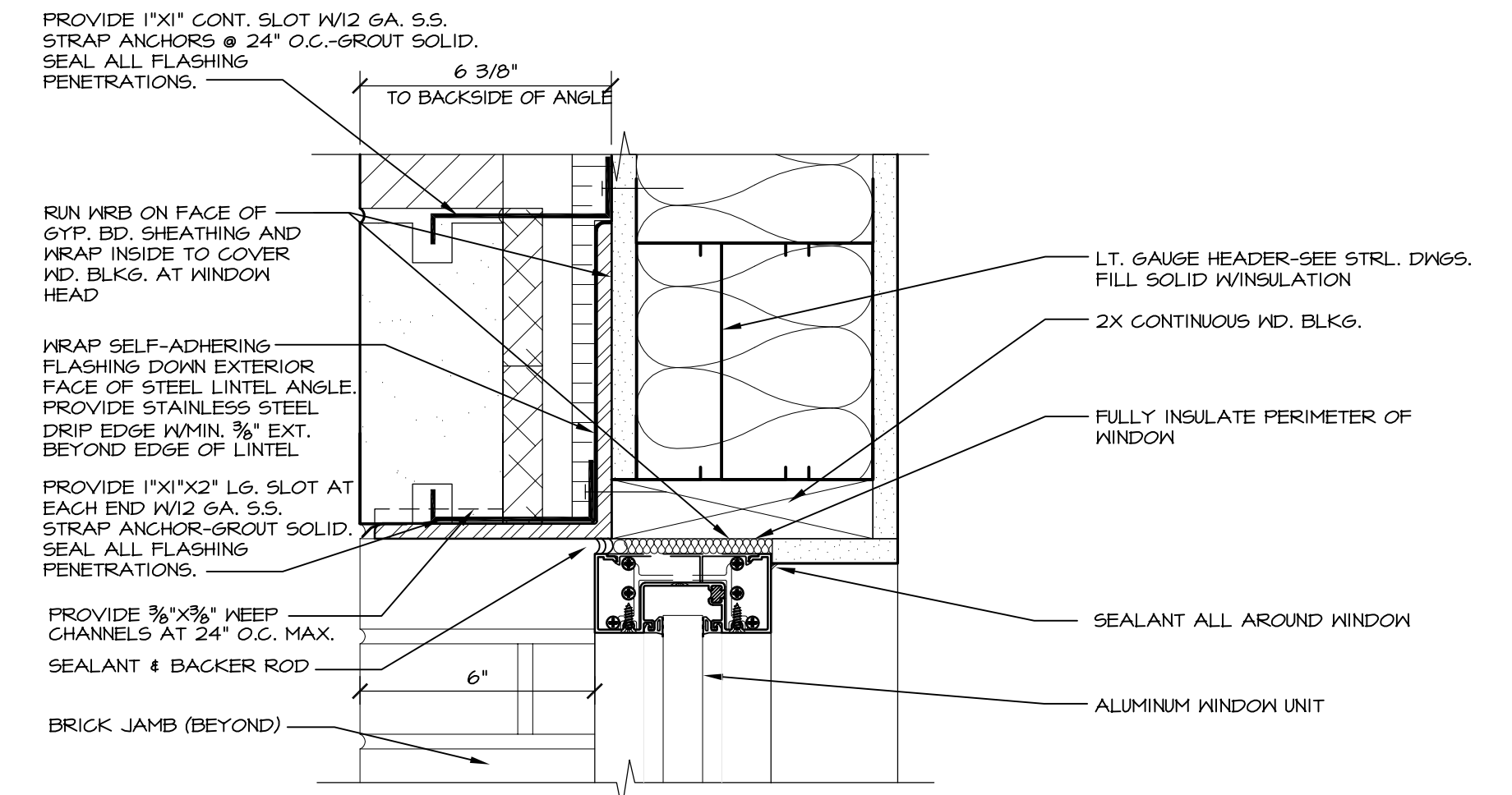


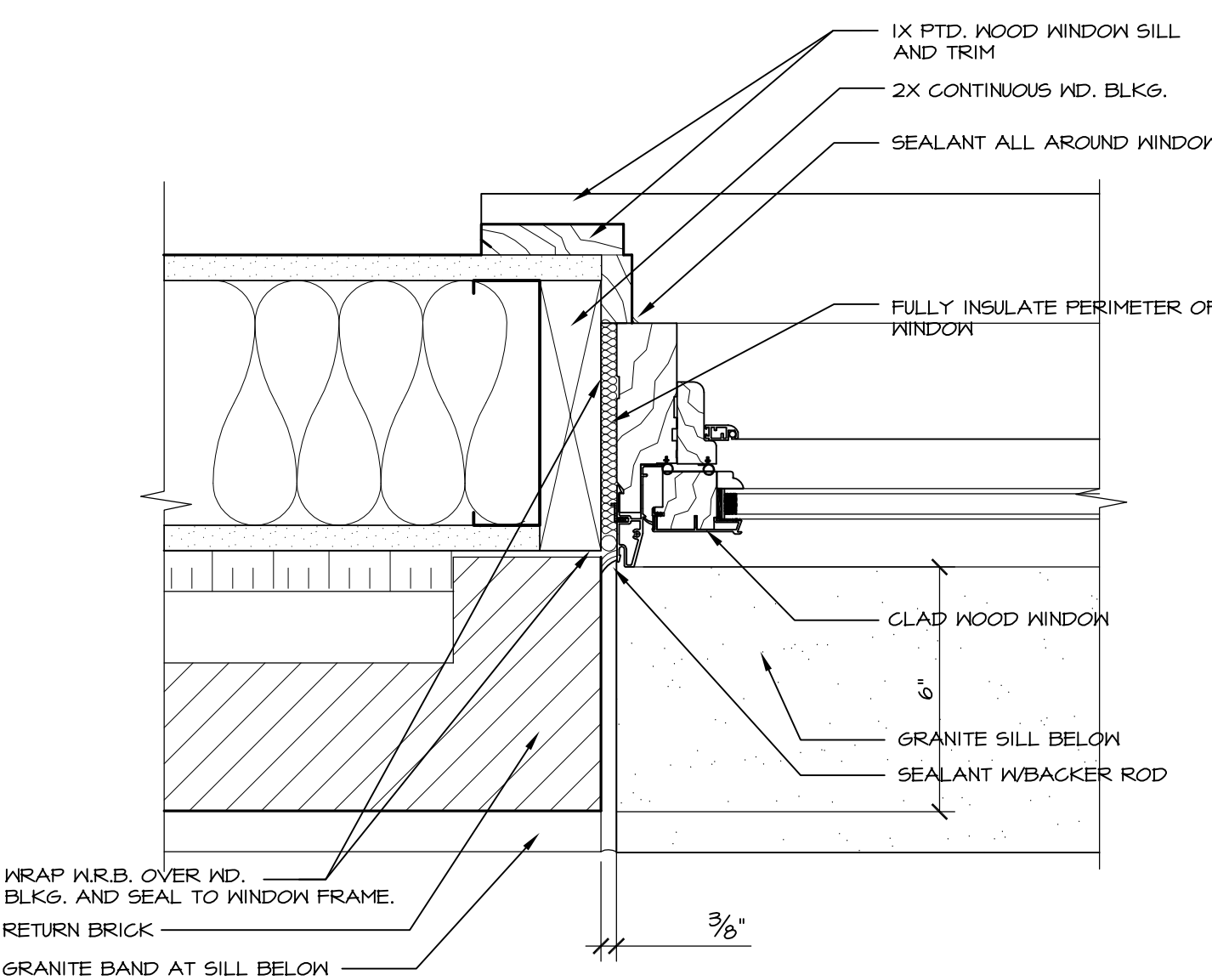
WINDOW HEAD DETAIL-6TH FLOOR  
3" = 1'-0"



WINDOW HEAD DETAIL-3RD/4TH/5TH FLOORS  
3" = 1'-0"

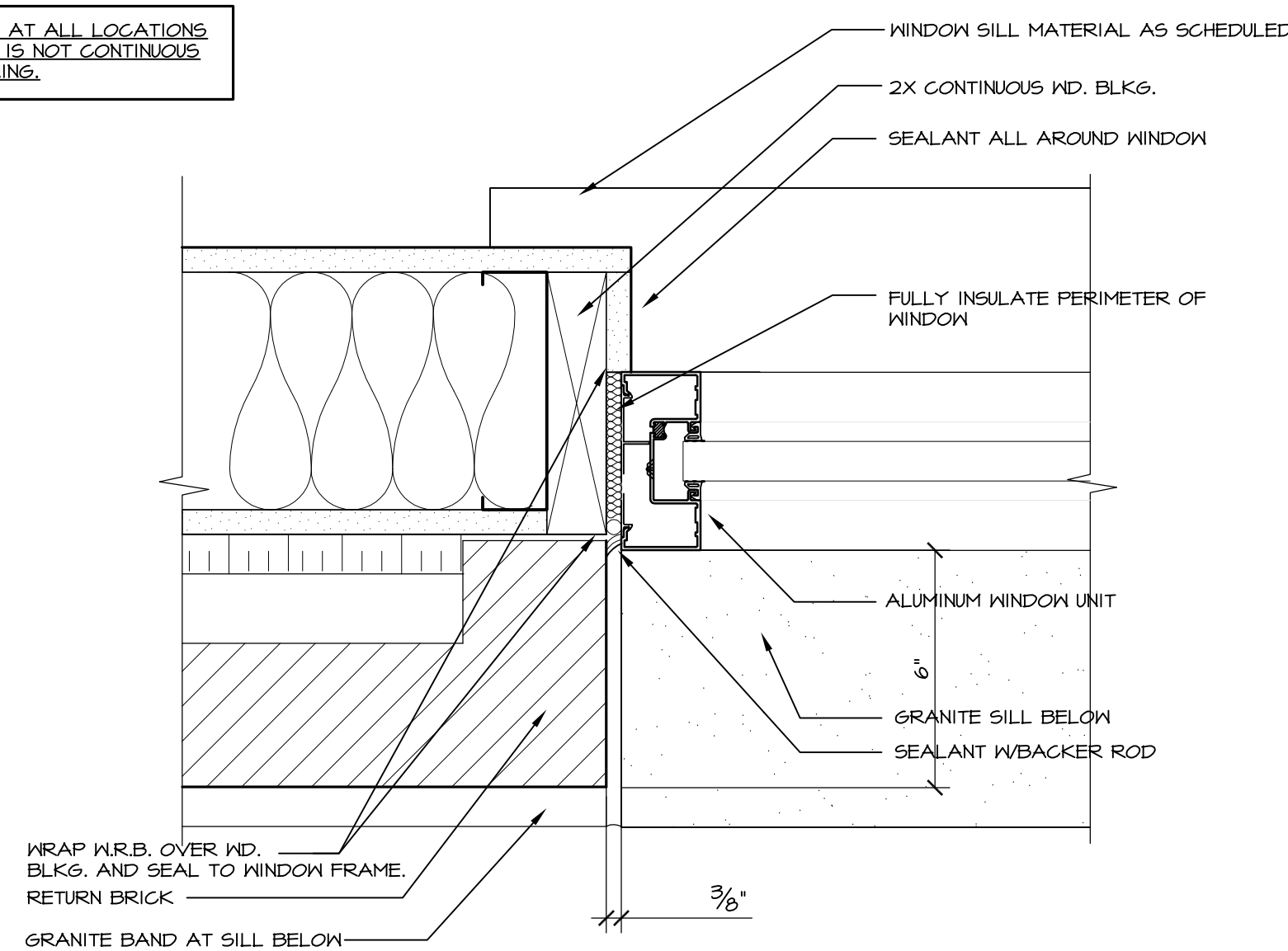


HEAD DETAIL-STONE LINTEL  
3" = 1'-0"

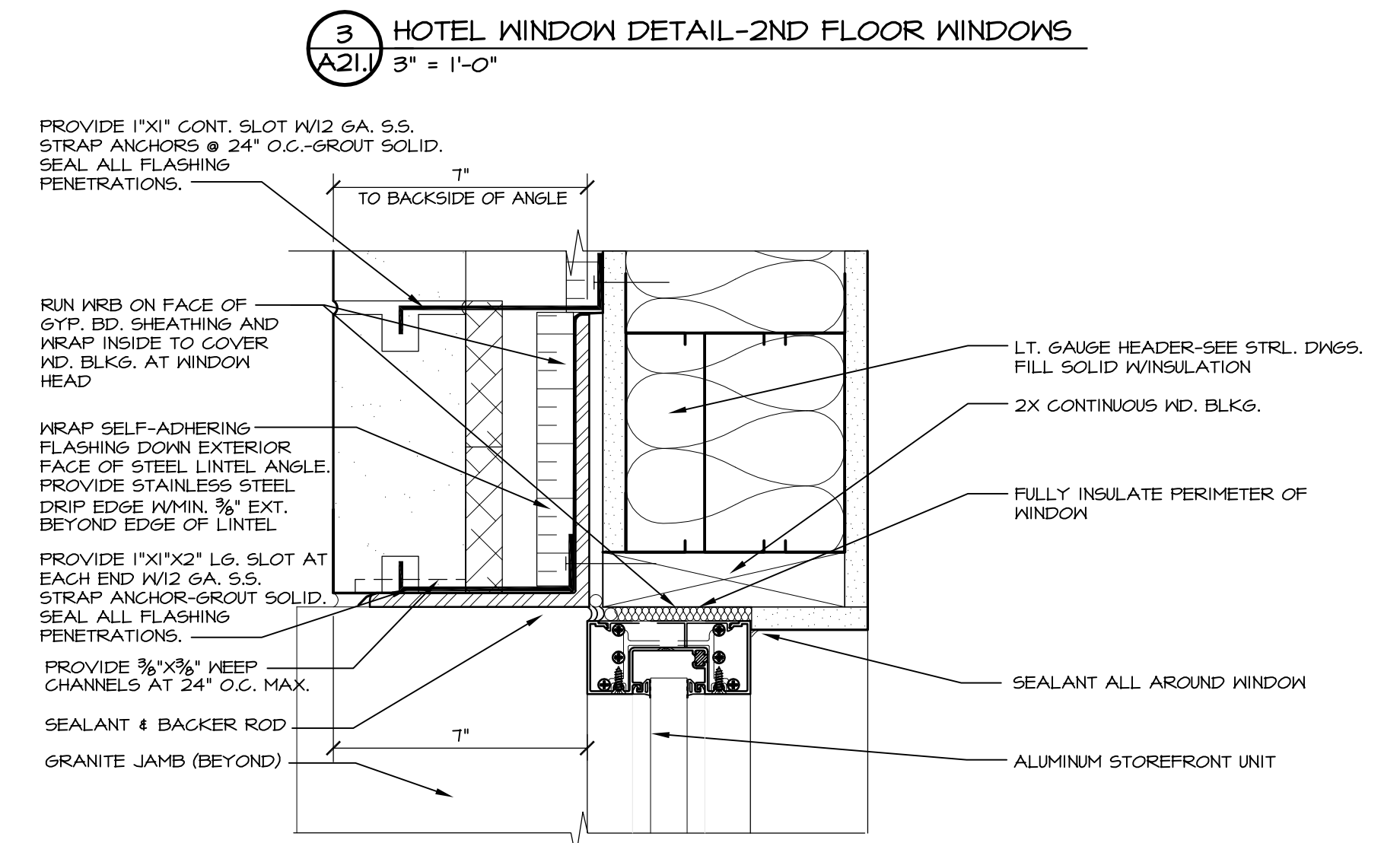


WINDOW JAMB DETAIL-6TH FLOOR  
3" = 1'-0"

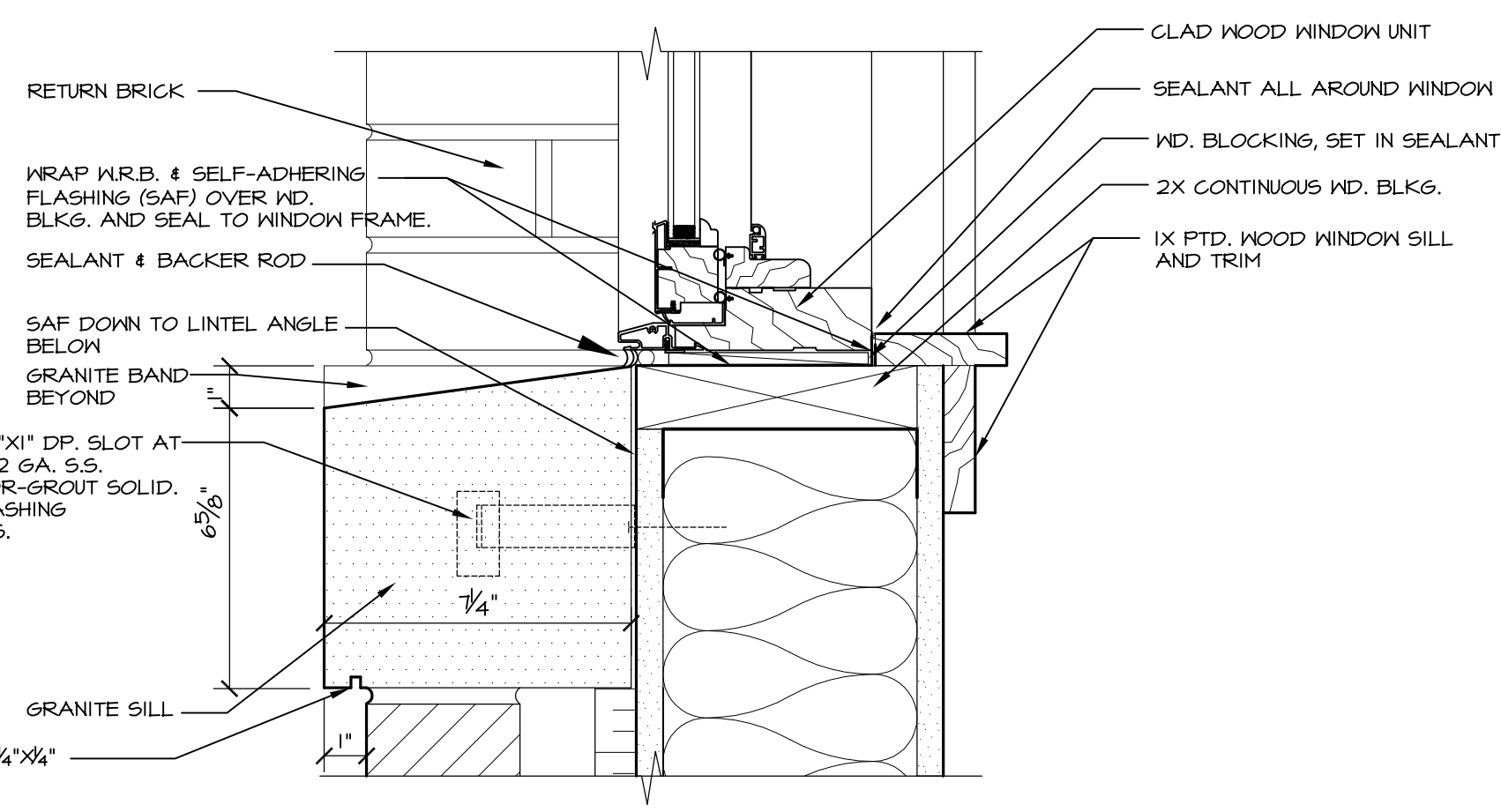
PROVIDE END DAM FLASHING AT ALL LOCATIONS WHERE THE FLASHING DETAIL IS NOT CONTINUOUS BEYOND THE LINTEL OR OPENING.



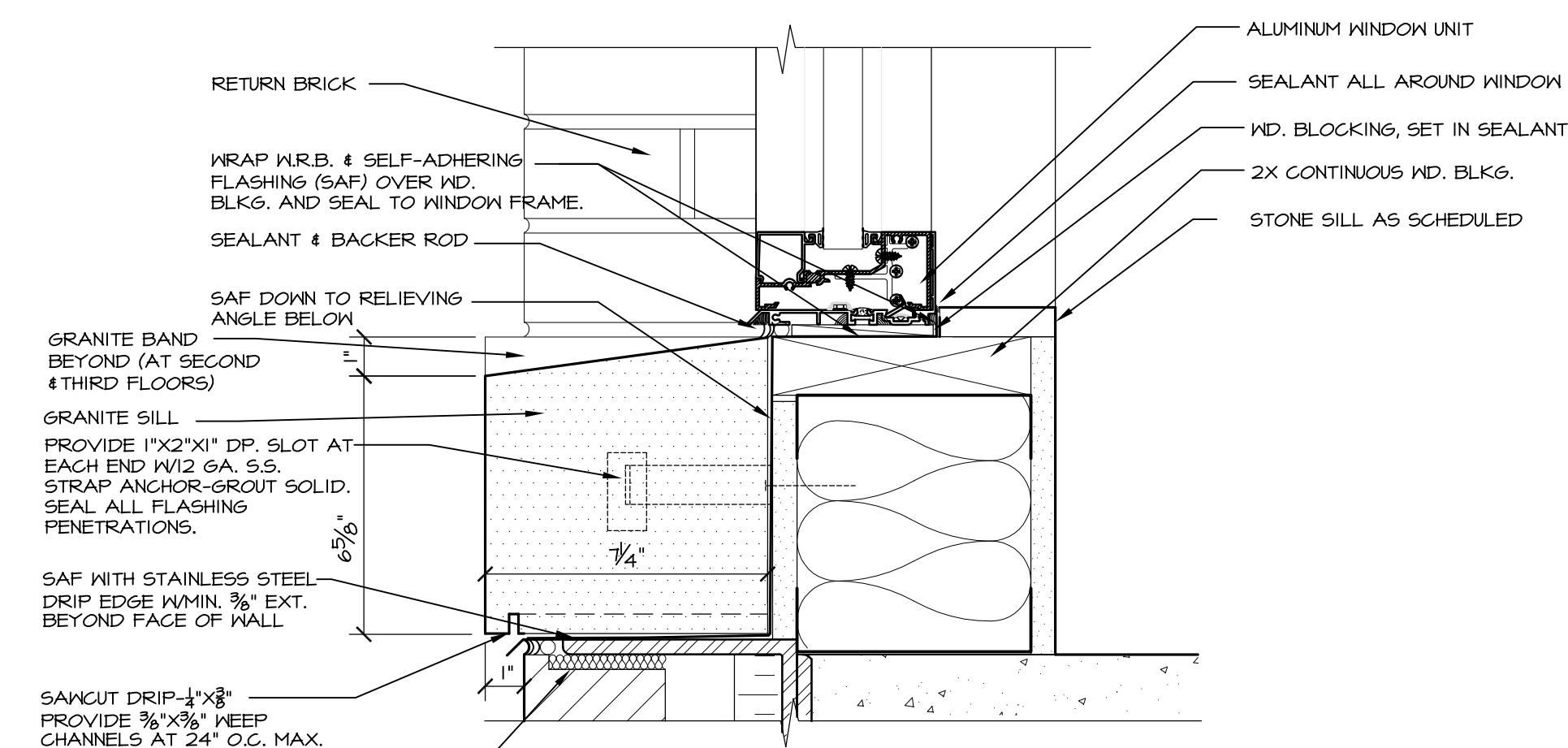
WINDOW JAMB DETAIL-2ND/3RD/4TH/5TH FLOORS  
3" = 1'-0"



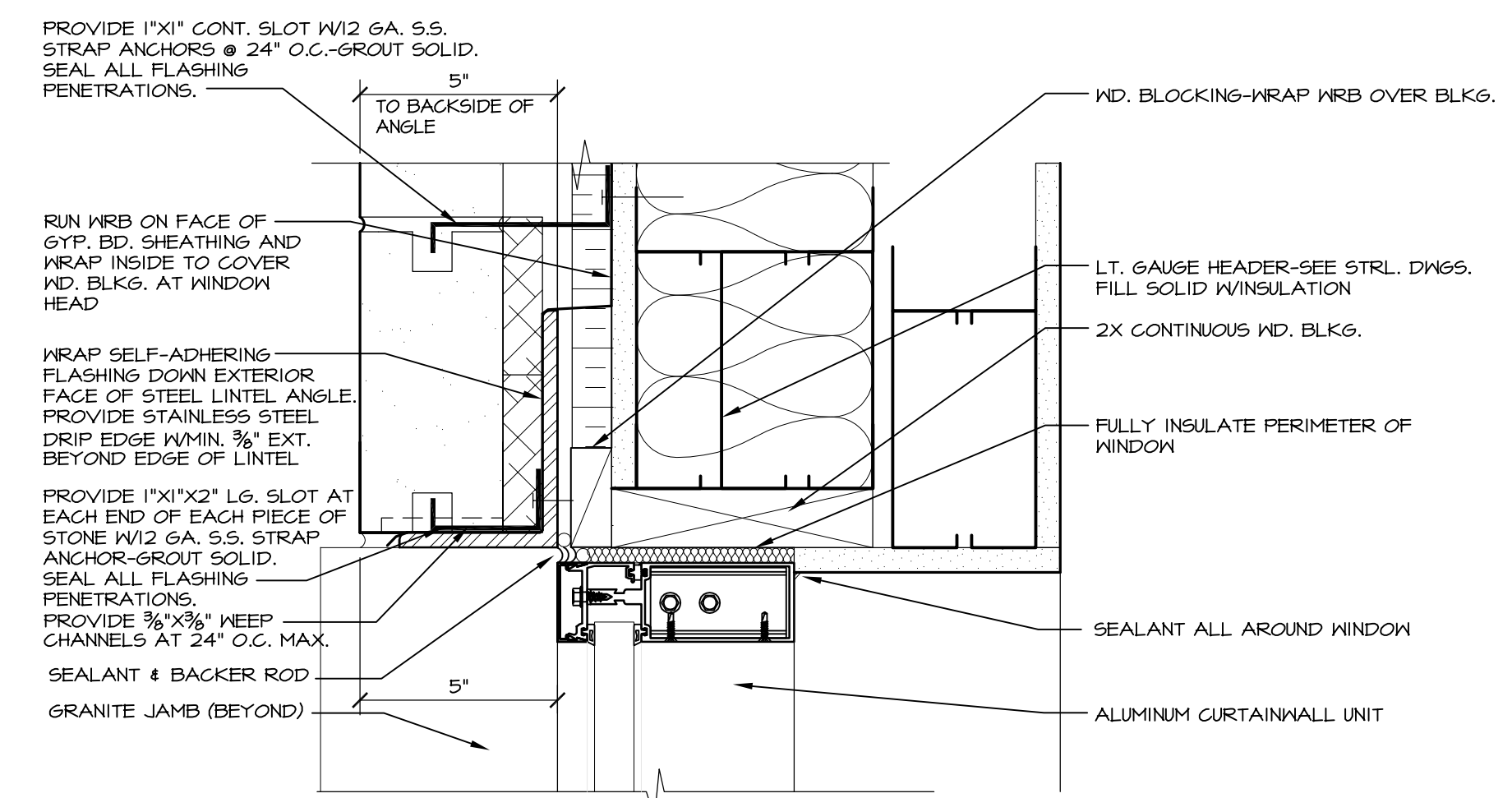
HEAD DETAIL-STONE LINTEL  
3" = 1'-0"



WINDOW SILL DETAIL-6TH FLOOR  
3" = 1'-0"



WINDOW SILL DETAIL-2ND/3RD/4TH/5TH FLOORS  
3" = 1'-0"



HEAD DETAIL-STONE LINTEL  
3" = 1'-0"

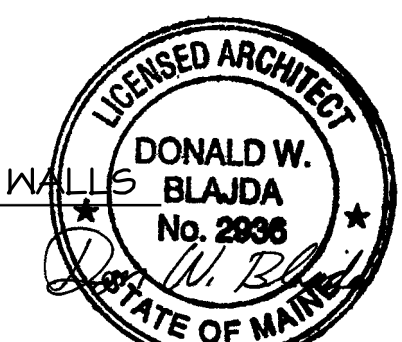
1 RESIDENCE WINDOW DETAILS  
A21.1 3" = 1'-0"

2 HOTEL WINDOW DETAILS  
A21.1 3" = 1'-0"

5 HOTEL CURTAIN WALL DETAIL-2 STORY CURTAIN WALLS  
A21.1 3" = 1'-0"

3 HOTEL WINDOW DETAIL-2ND FLOOR WINDOWS  
A21.1 3" = 1'-0"

4 HOTEL STOREFRONT DETAIL-1ST FLOOR  
A21.1 3" = 1'-0"



DATE	REVISION DESCRIPTION
05-20-13	ADDED CLIPS AND ANCHORS FOR GRANITE SILLS & LINTELS
05-24-13	REVISED WOOD BLOCKING AT WINDOW HEAD DETAILS.
05-31-13	REVISED WINDOW FRAME DETAIL

**LOPECHEE**  
CONSTRUCTION CORPORATION  
11 CORPORATE DRIVE, BELMONT, NH 03220  
PHONE (603) 527-9050 FAX (603) 527-9191

WINDOW DETAILS

PROJECT: COMMERCIAL & MAPLE STREET MIXED USE DEVELOPMENT PORTLAND, ME

DATE: 05-09-13  
SCALE: SEE PLAN  
DRAWN BY: KPH  
SHEET: A21.1