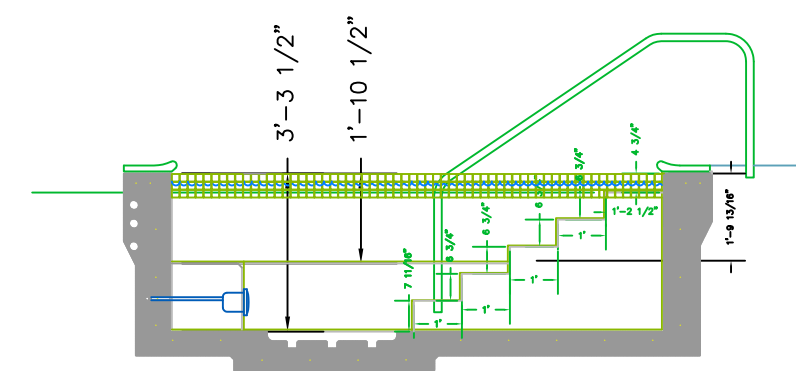
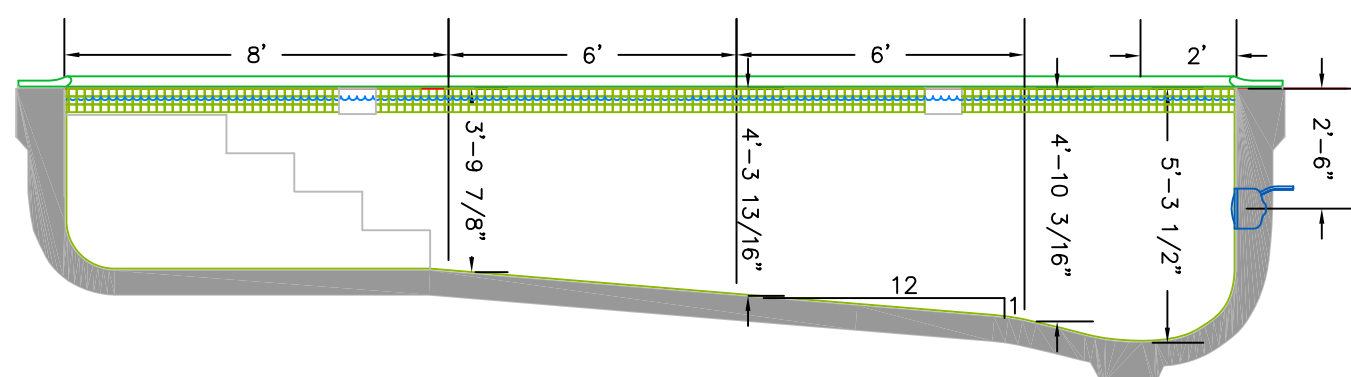
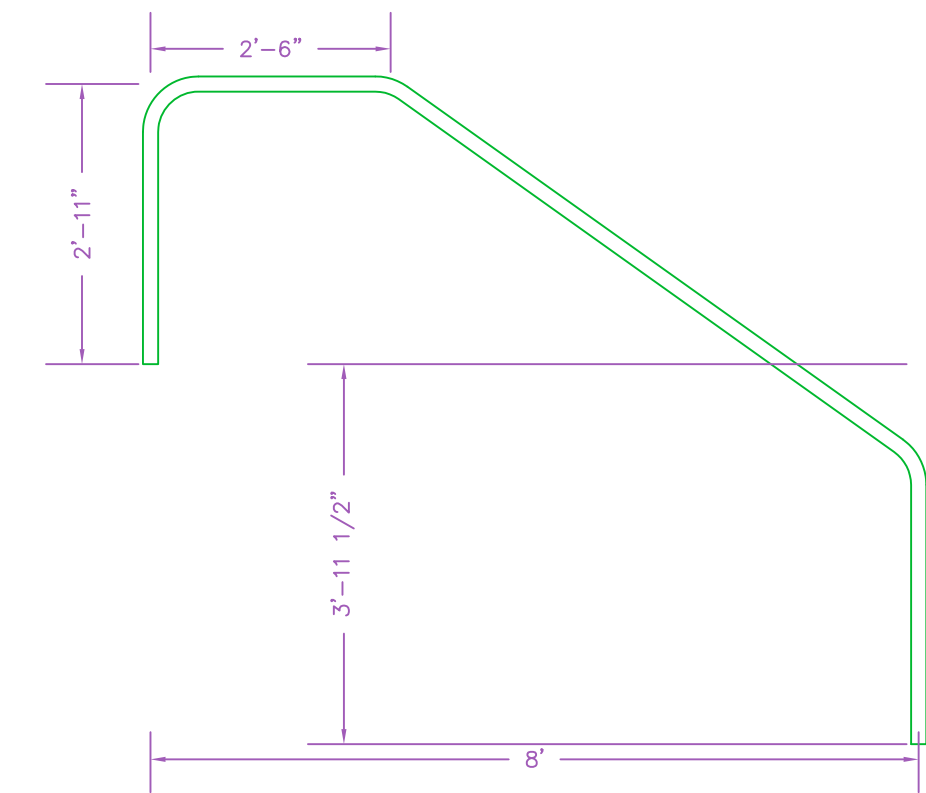
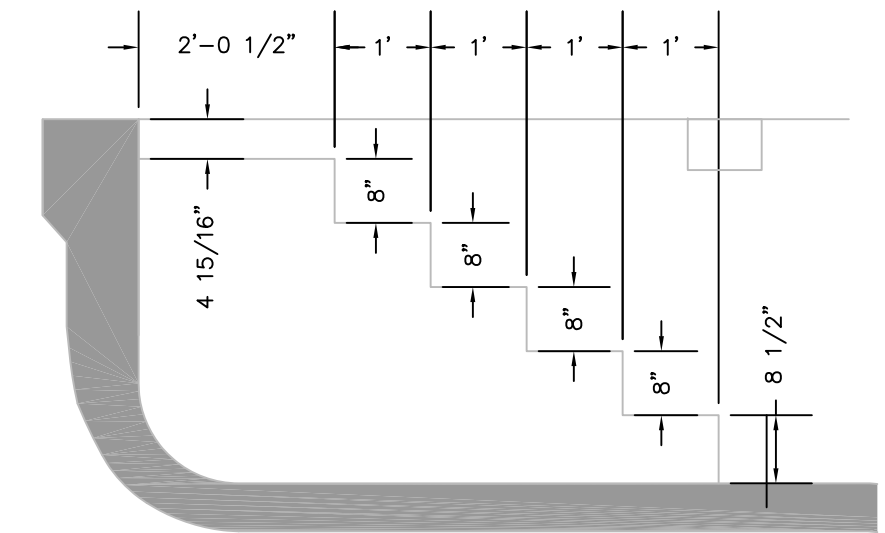
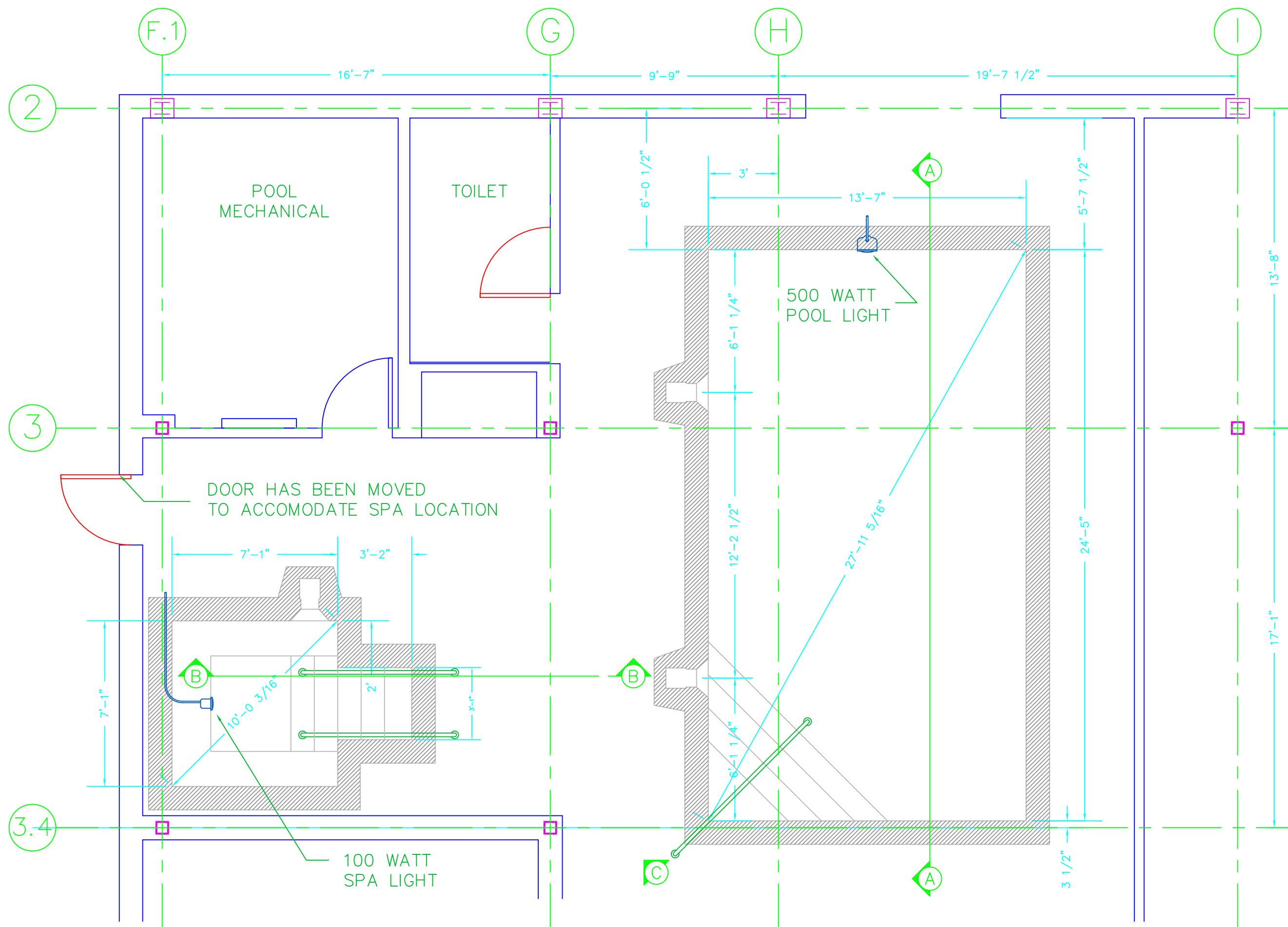


# QUALITY DESIGN POOLS



**OPECHEE CONSTRUCTION**  
11 CORPORATE DRIVE, BELMONT NH 03220  
**MAPLE STREET DEVELOPMENT**  
PORTLAND ME

**POOL AND SPA LAYOUT**  
SCALE 1/4" = 1'-0"

**QUALITY DESIGN**  
SWIMMING POOLS

13 COLUMBIA DRIVE AMHERST NH 03031  
603-880-4888 SALES 603-880-4888 FAX