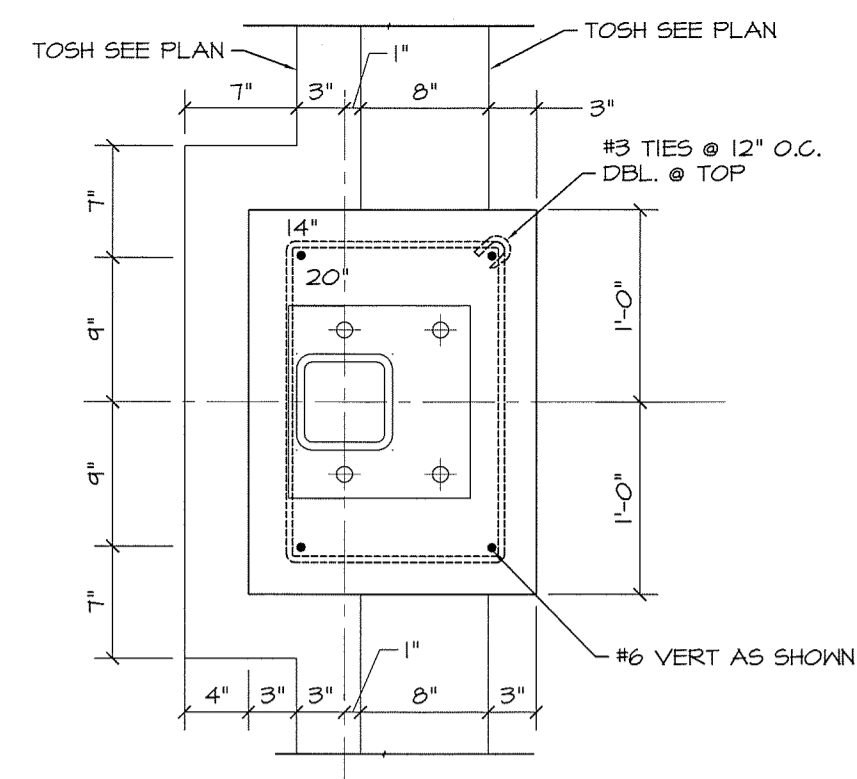
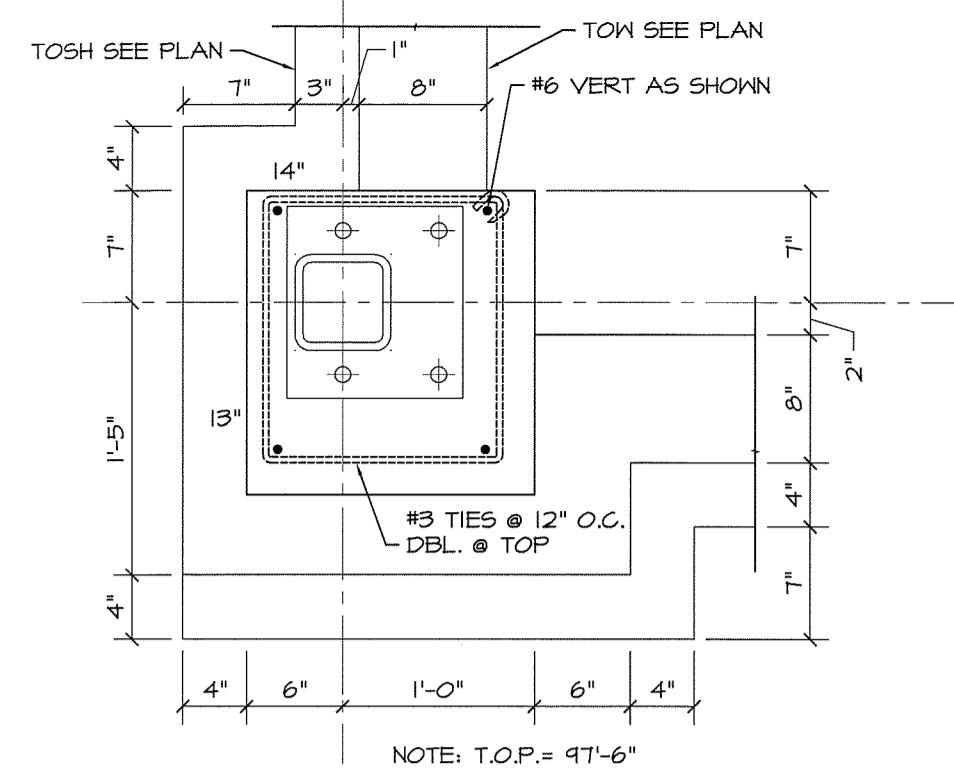


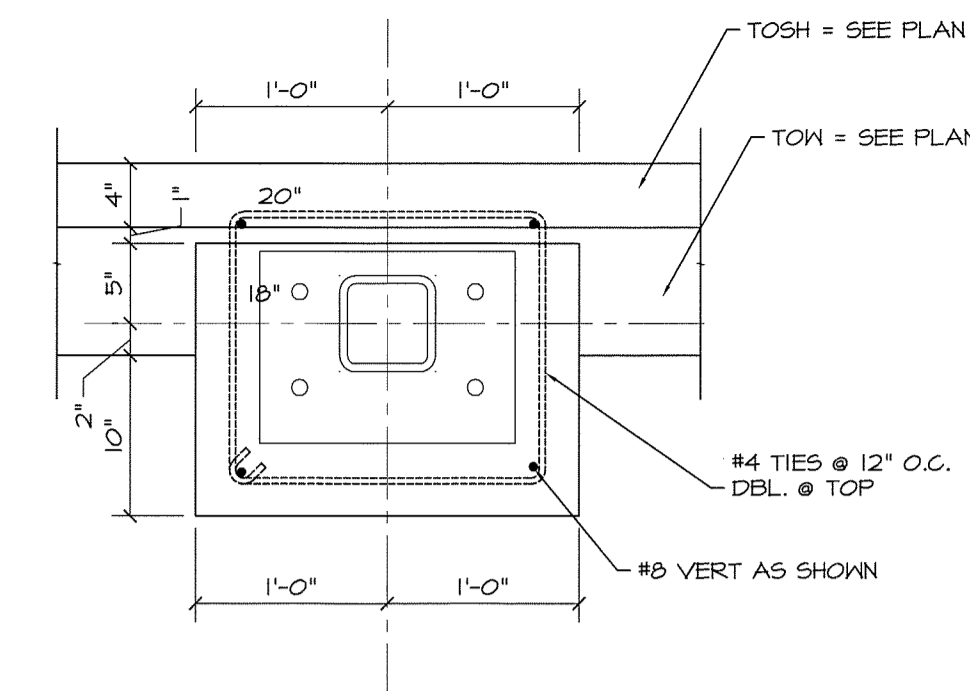
1 P-1 DETAIL  
54 1" = 1'-0"



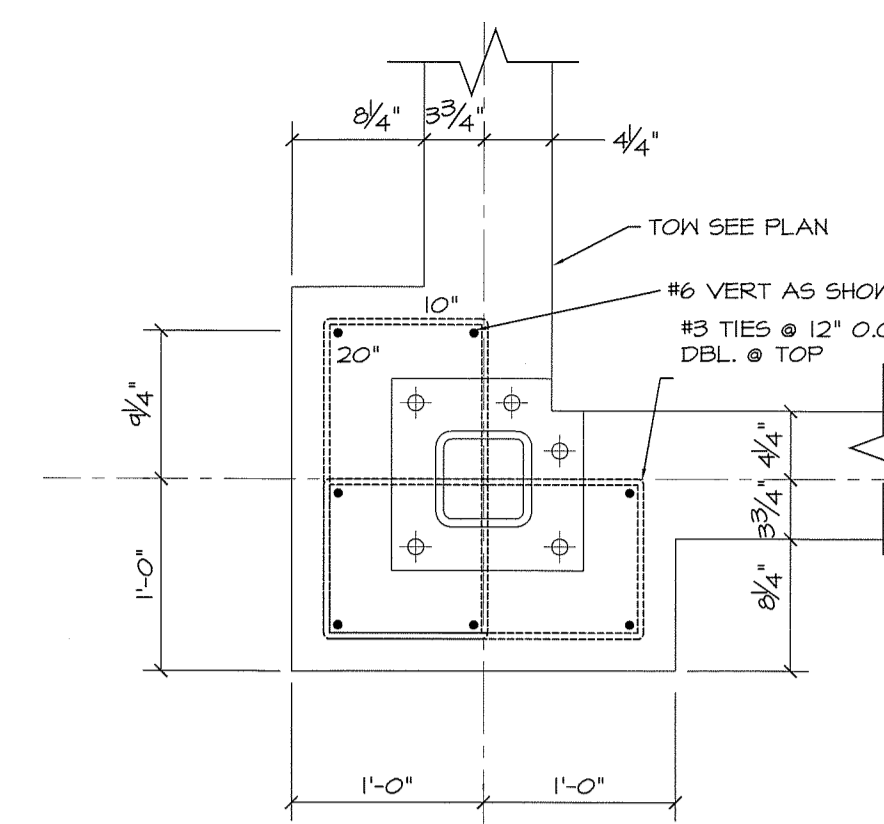
2 P-2 DETAIL  
54 1" = 1'-0"



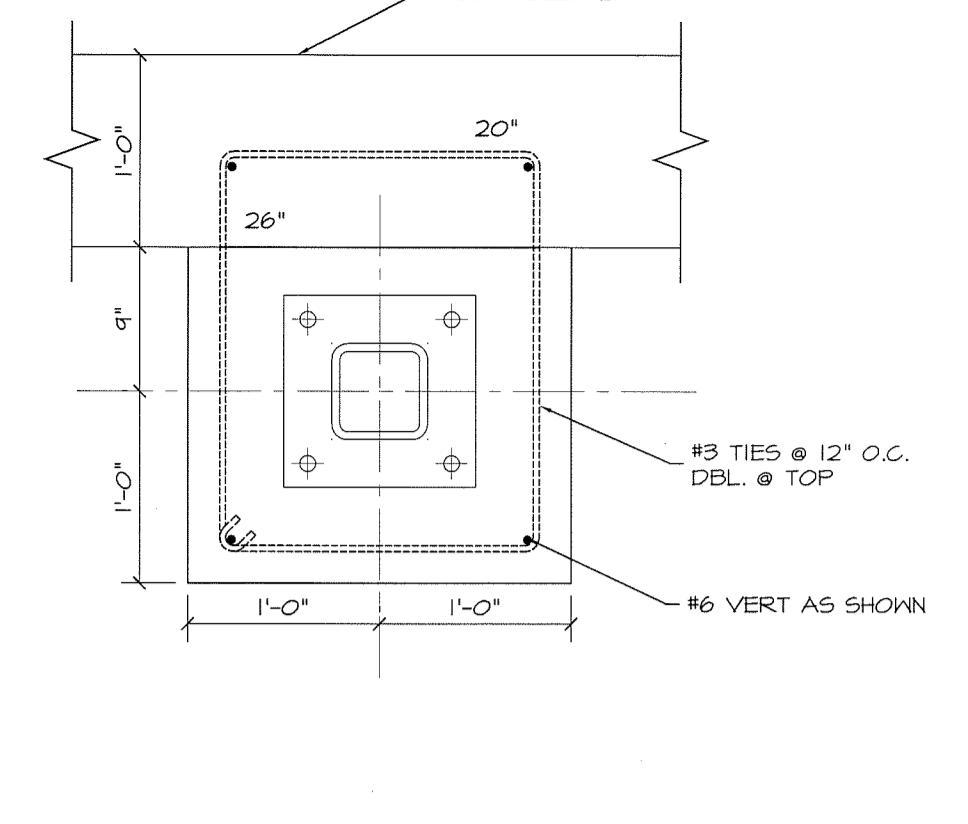
3 P-2A DETAIL  
54 1" = 1'-0"



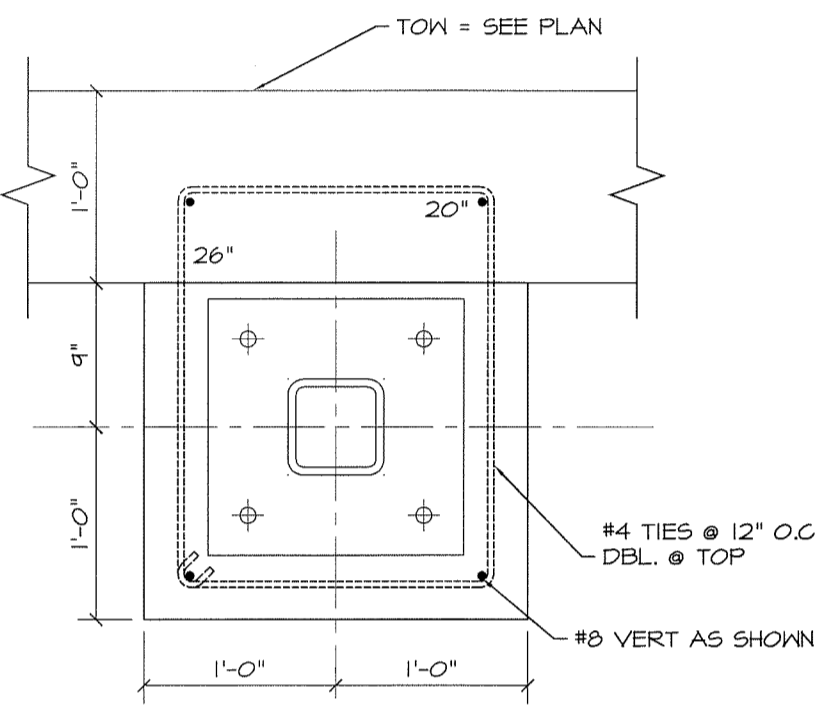
3 P-2B DETAIL  
54 1" = 1'-0"



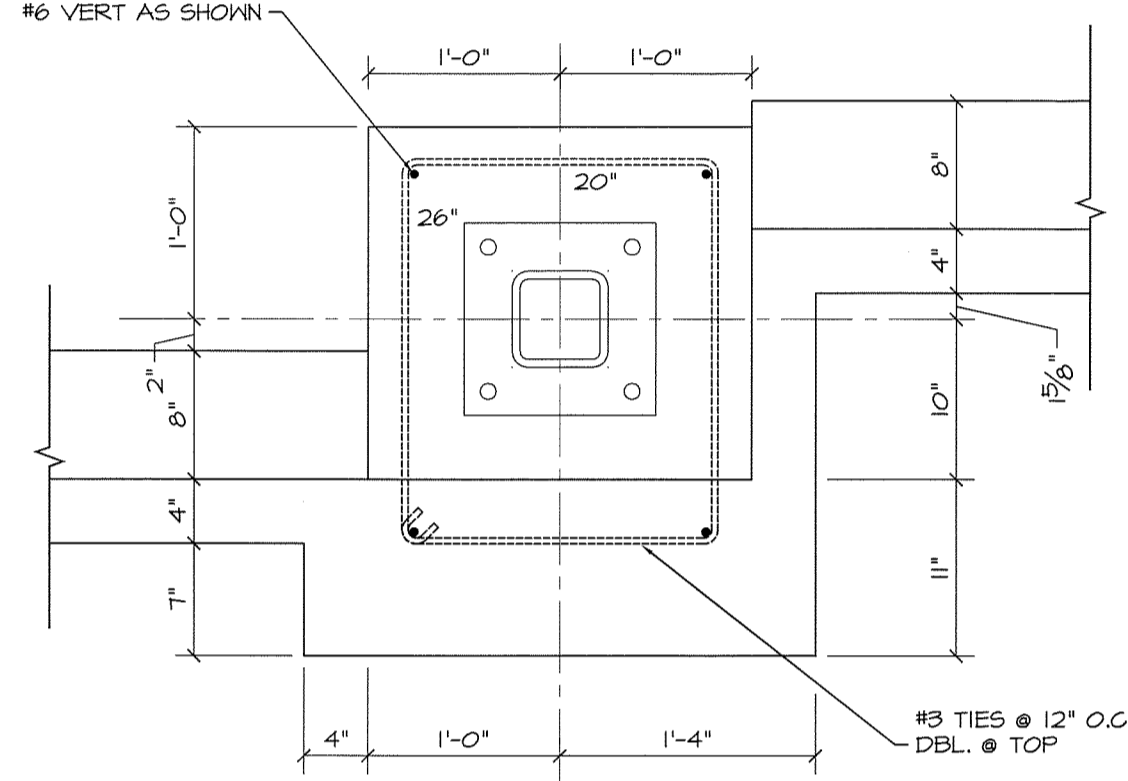
4 P-3  
54 1" = 1'-0"



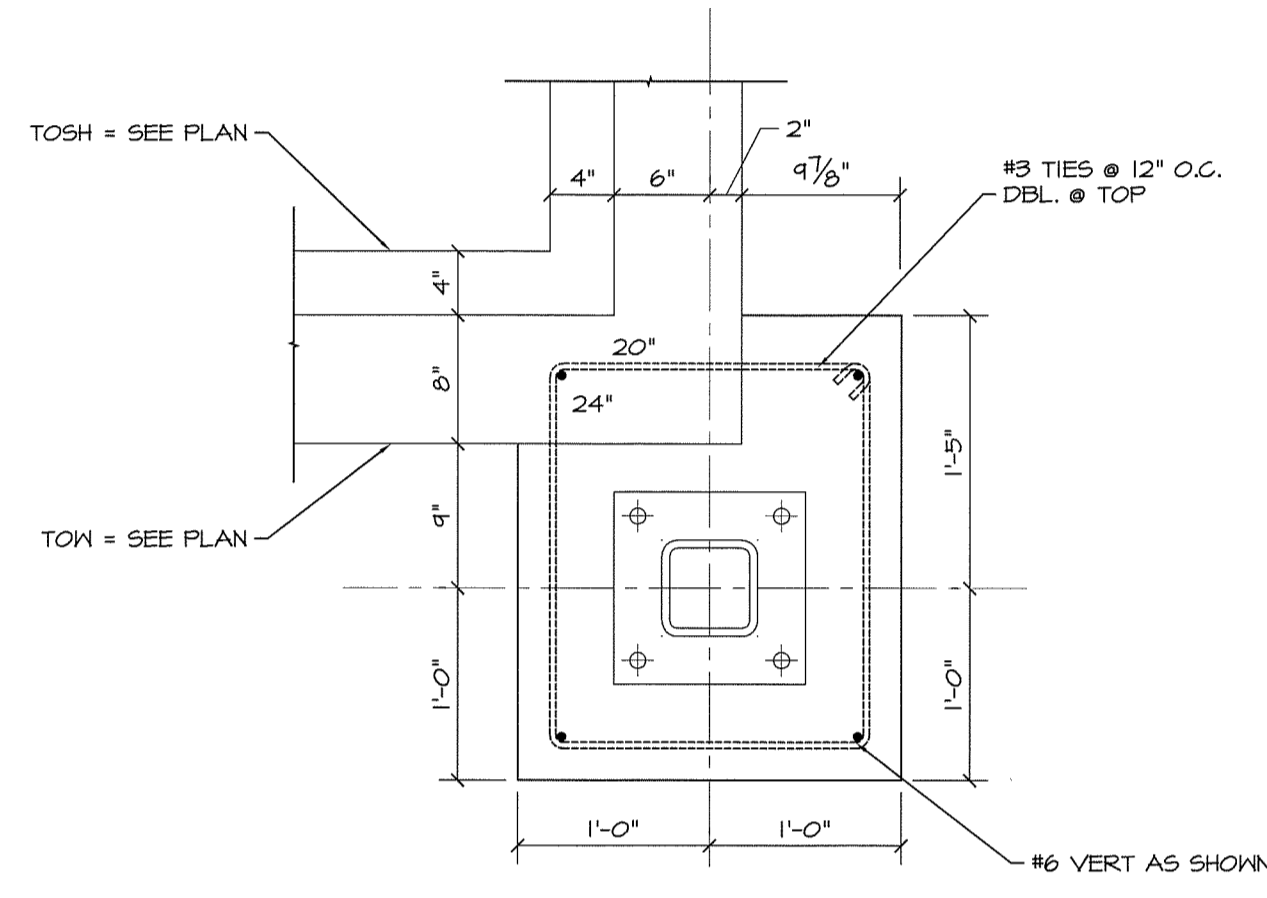
5 P-4 DETAIL  
54 1" = 1'-0"



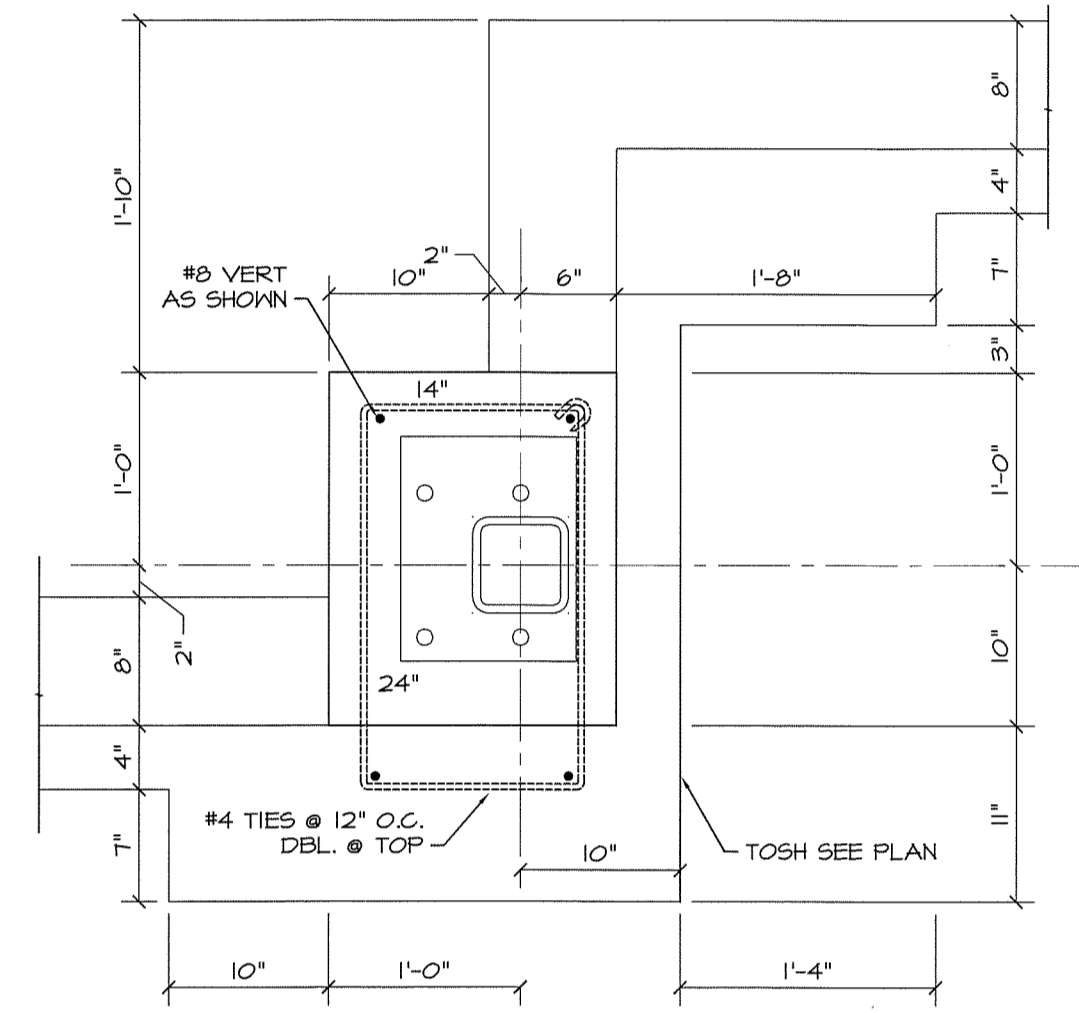
6 P-4A DETAIL  
54 1" = 1'-0"



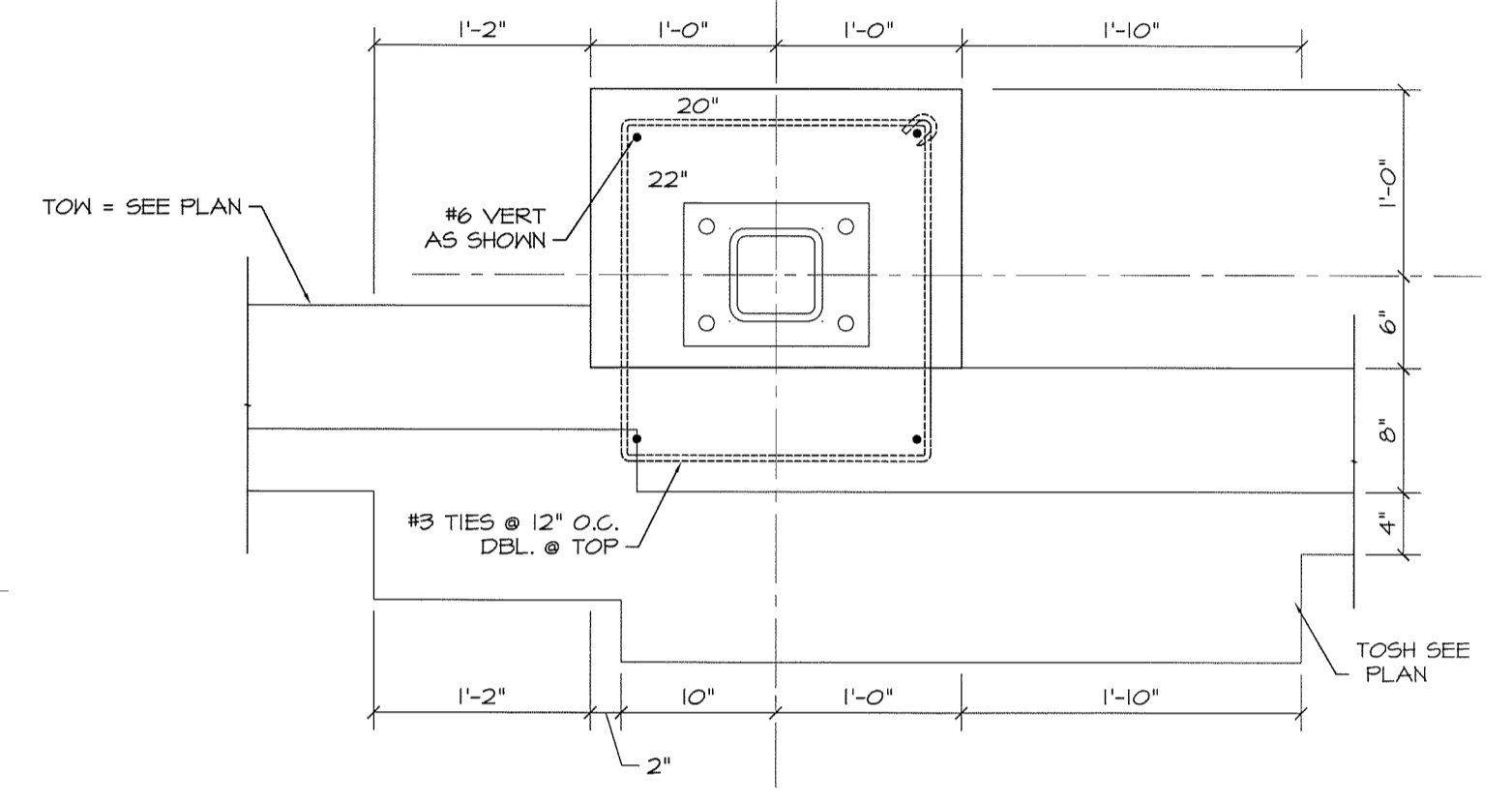
6 P-4B DETAIL  
54 1" = 1'-0"



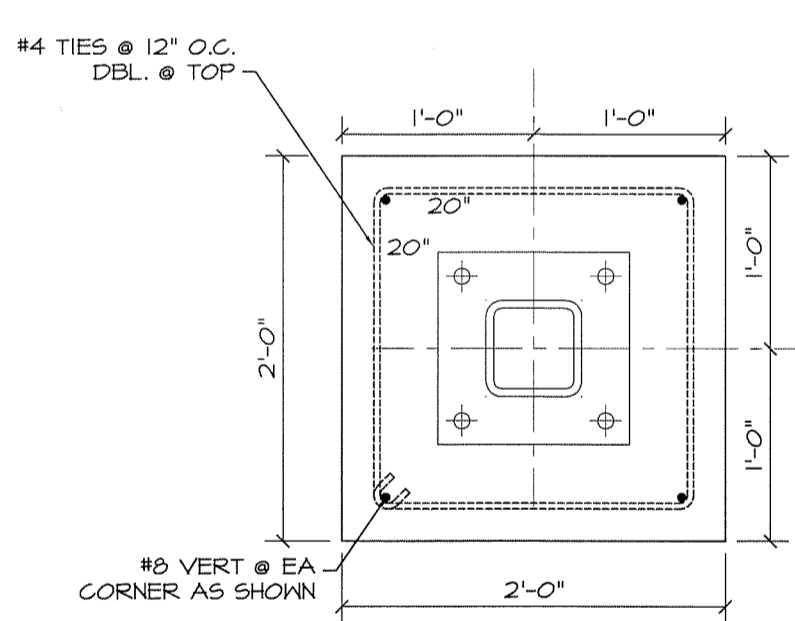
7 P-5 DETAIL  
54 1" = 1'-0"



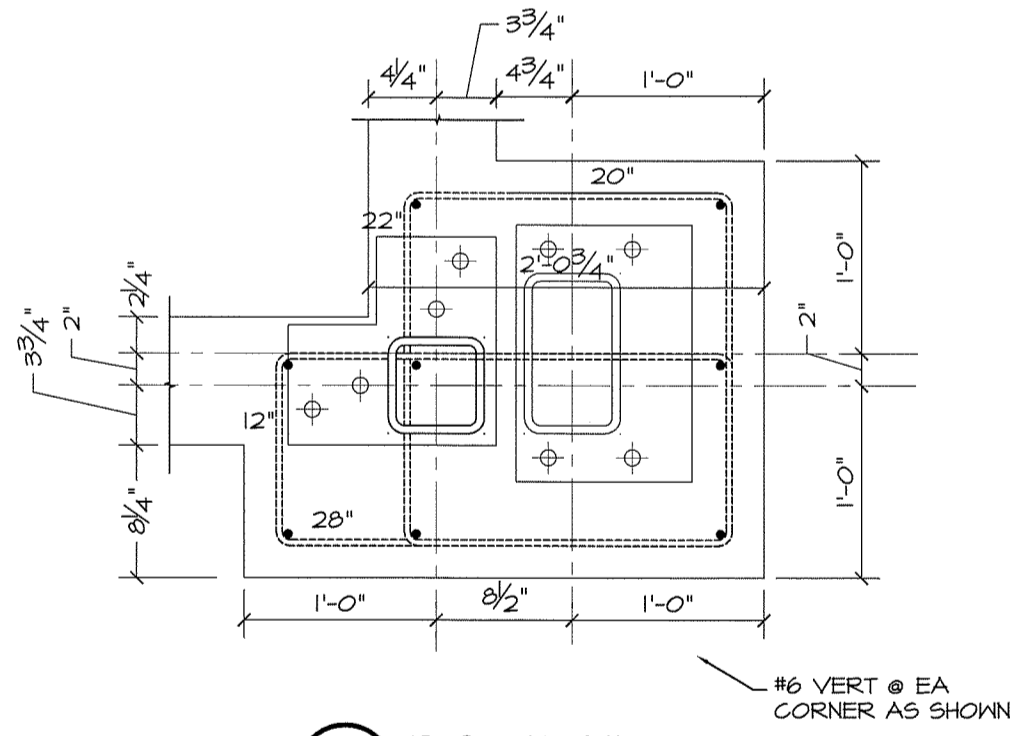
8 P-6 DETAIL  
54 1" = 1'-0"



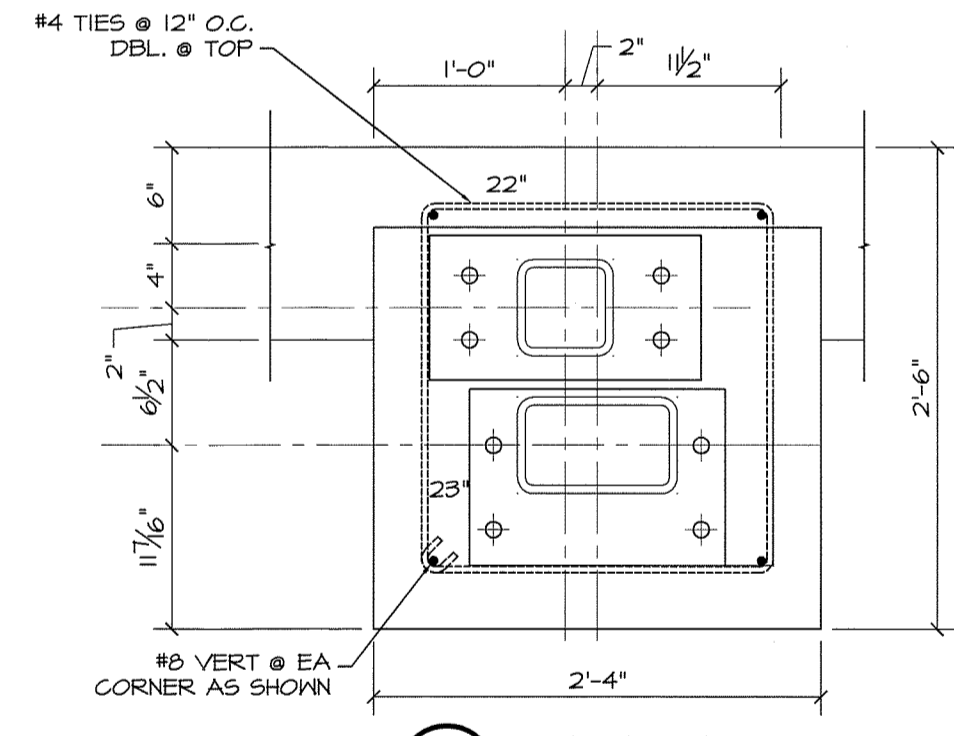
9 P-6A DETAIL  
54 1" = 1'-0"



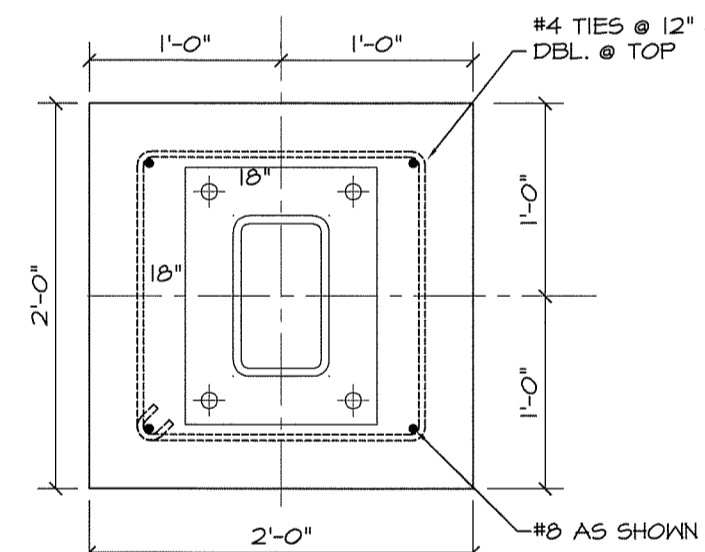
10 P-7 DETAIL  
54 1" = 1'-0"



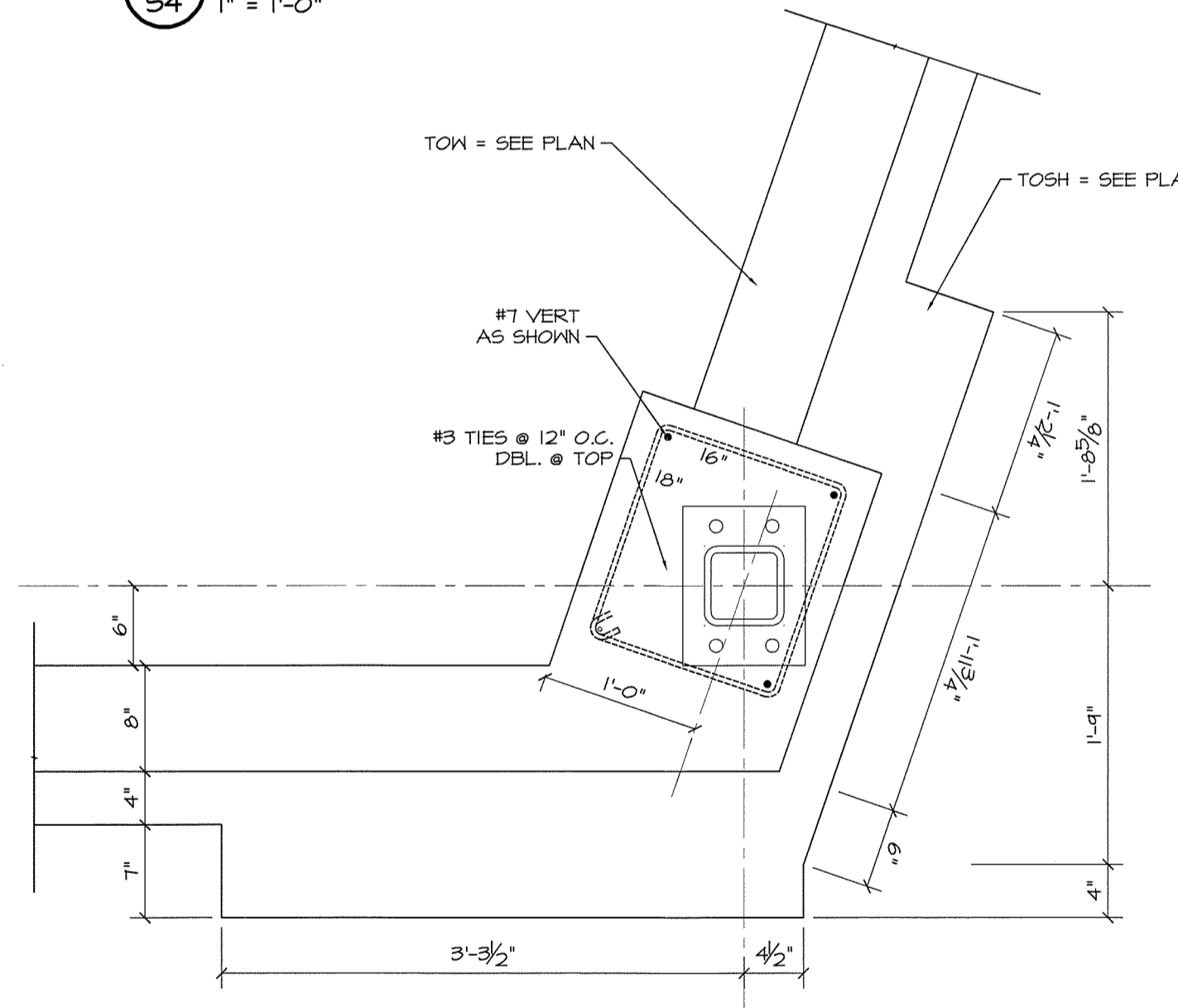
11 P-8 DETAIL  
54 1" = 1'-0"



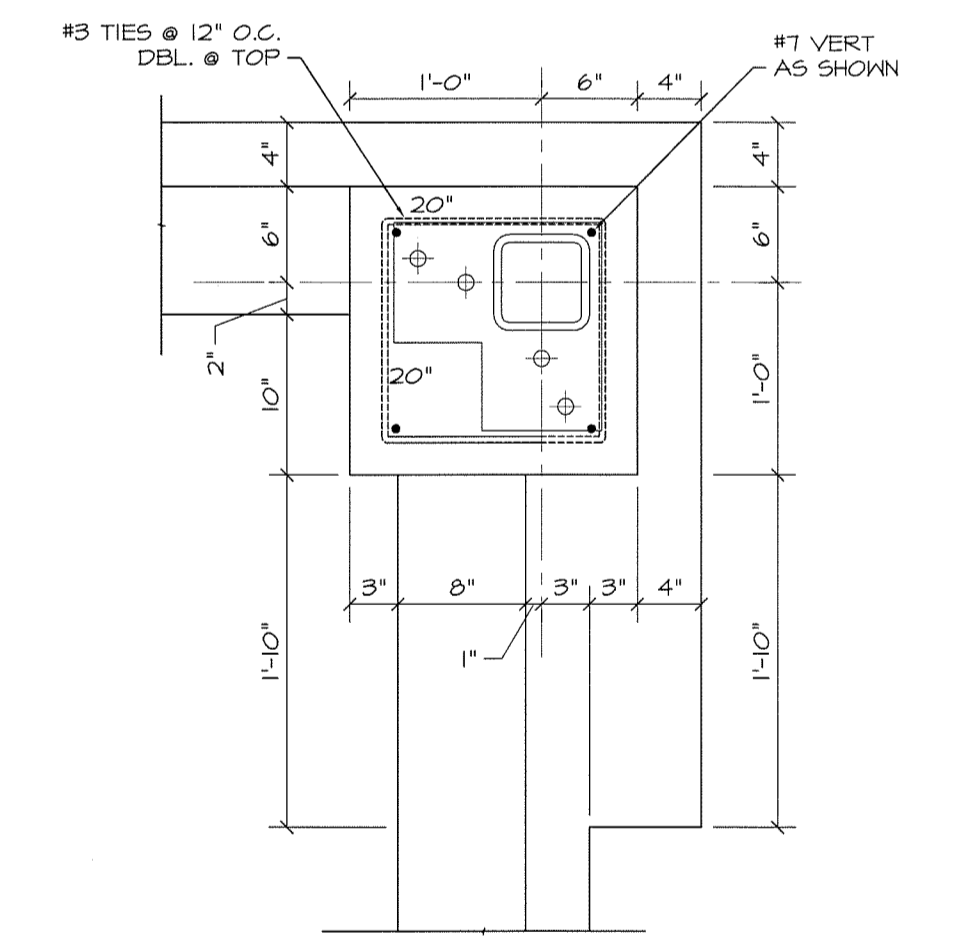
12 P-9 DETAIL  
54 1" = 1'-0"



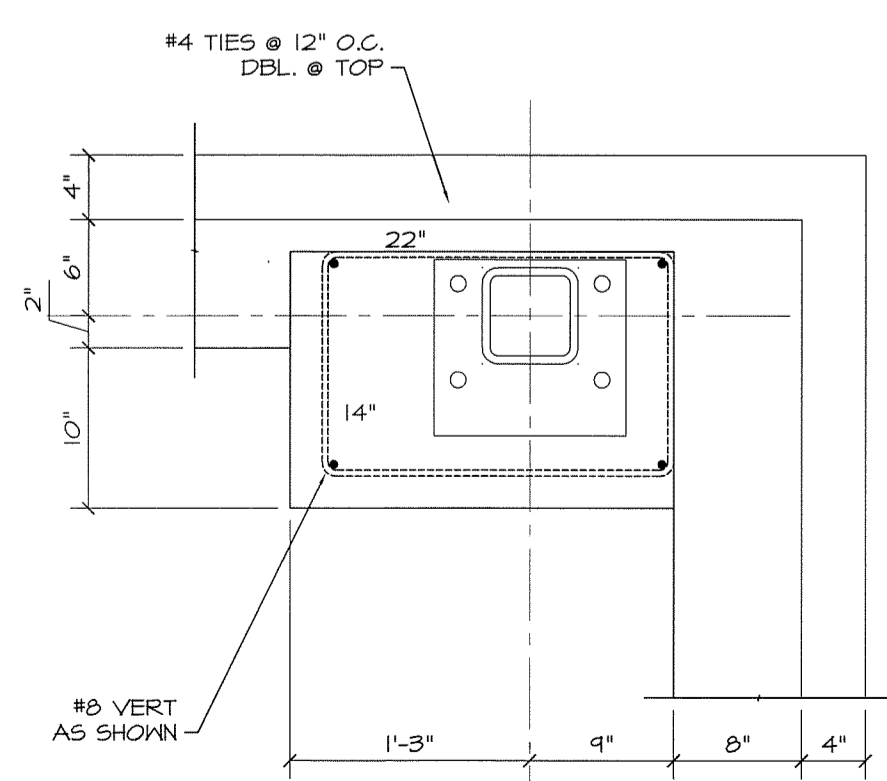
13 P-10 DETAIL  
54 1" = 1'-0"



14 P-11 DETAIL  
54 1" = 1'-0"



15 P-11A DETAIL  
54 1" = 1'-0"



16 P-12 DETAIL  
54 1" = 1'-0"

REVISION SCHEDULE	
DATE	REVISION DESCRIPTION
01-30-13	ADD COL TO BASE PLATE AND REVISE TITLE BLOCK
02-11-13	REVISE FND. FOOTING SIZE AND BASE PLATES
02-15-13	ADD AND REVISE FND. CONC. PIERS

**COPECHEE**  
CONSTRUCTION CORPORATION  
11 CORPORATE DRIVE, BELMONT NH 03220  
PHONE (603) 227-9090 FAX (603) 227-9191

**FOUNDATION  
PIER  
PLAN**

PROJECT: **COMMERCIAL &  
MAPLE STREET  
MIXED USE DEVELOPMENT  
PORTLAND ME.**

DATE: 02-13-13  
SCALE: 1/8" = 1'-0"  
DRAWN BY: E.J.L.  
**S4**  
SHEET:

