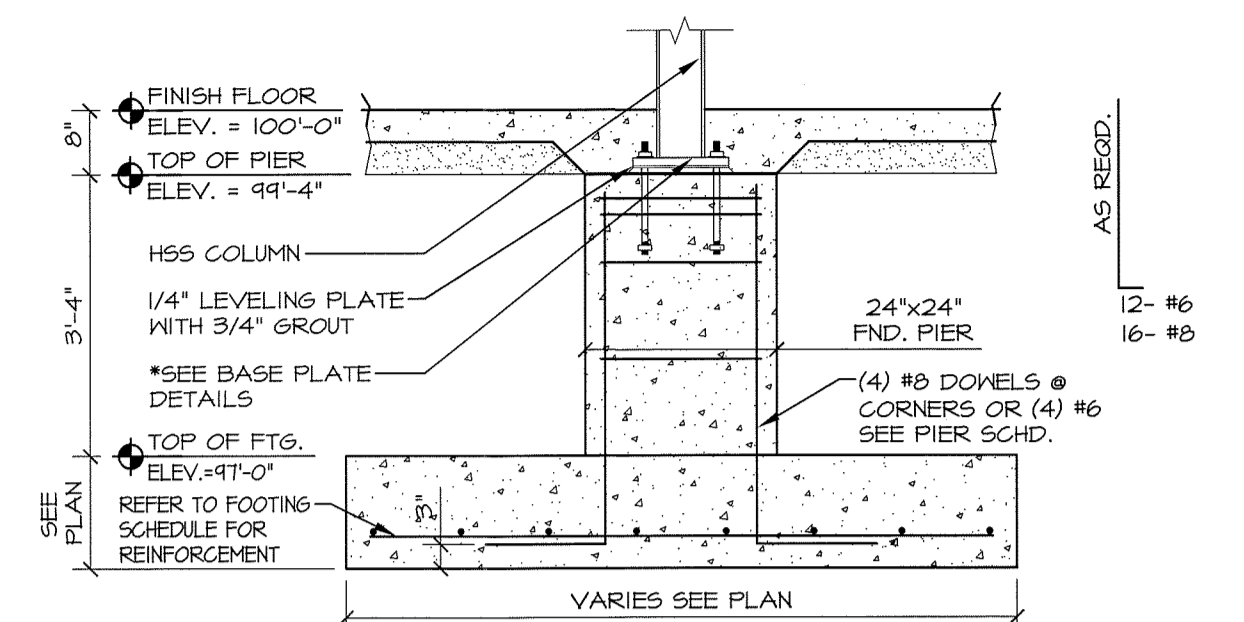
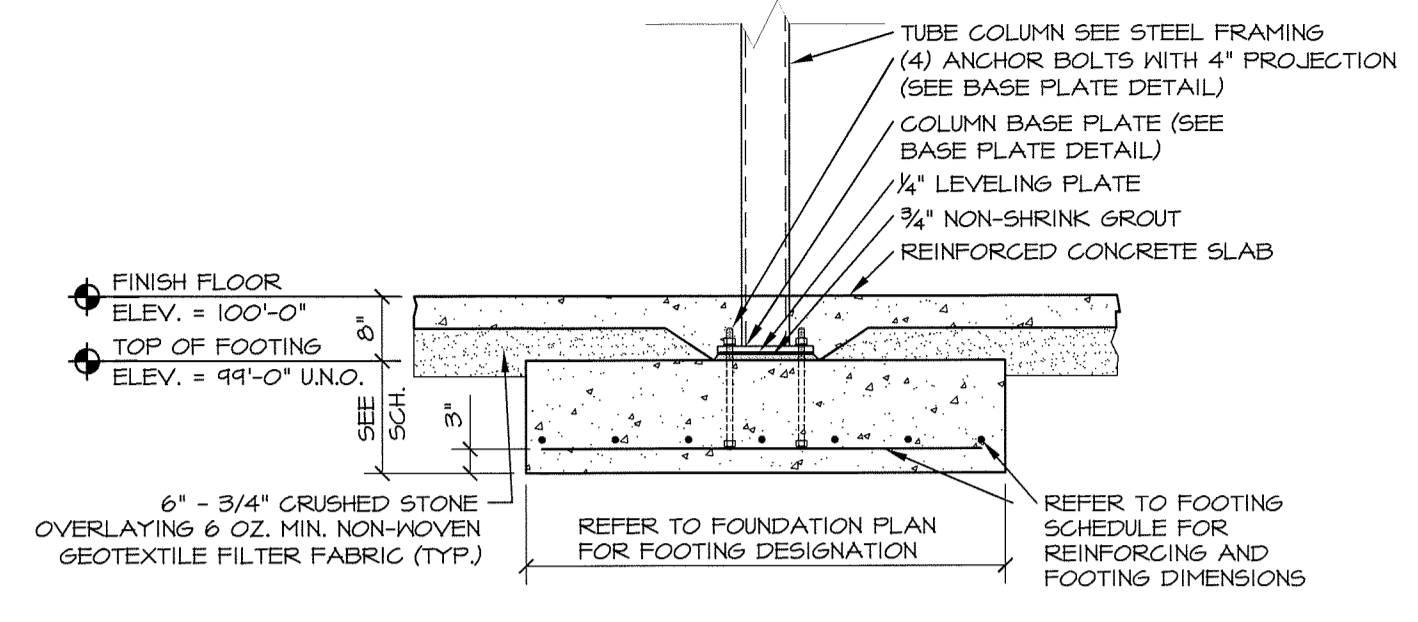


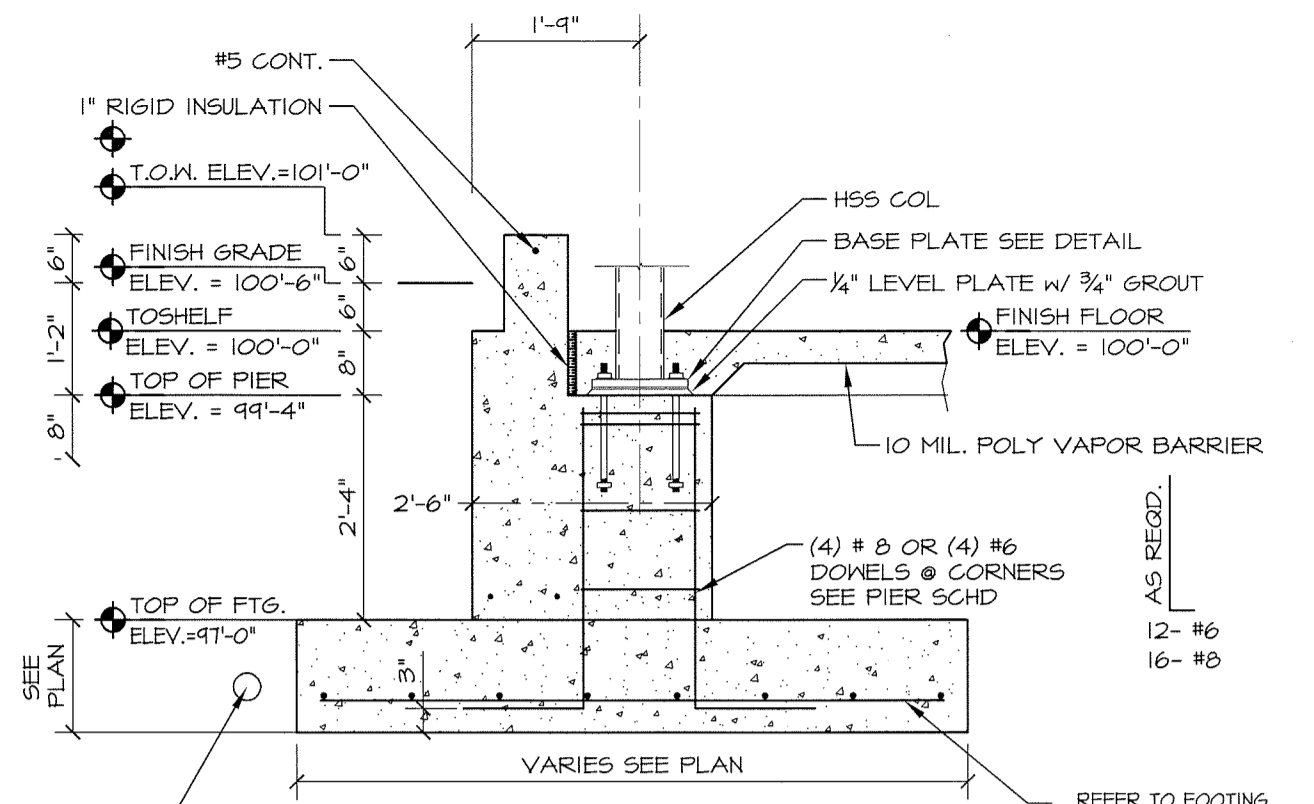
**1** INTERIOR FOOTING/PIER DETAIL  
 1/2" = 1'-0"  
 PIER 3



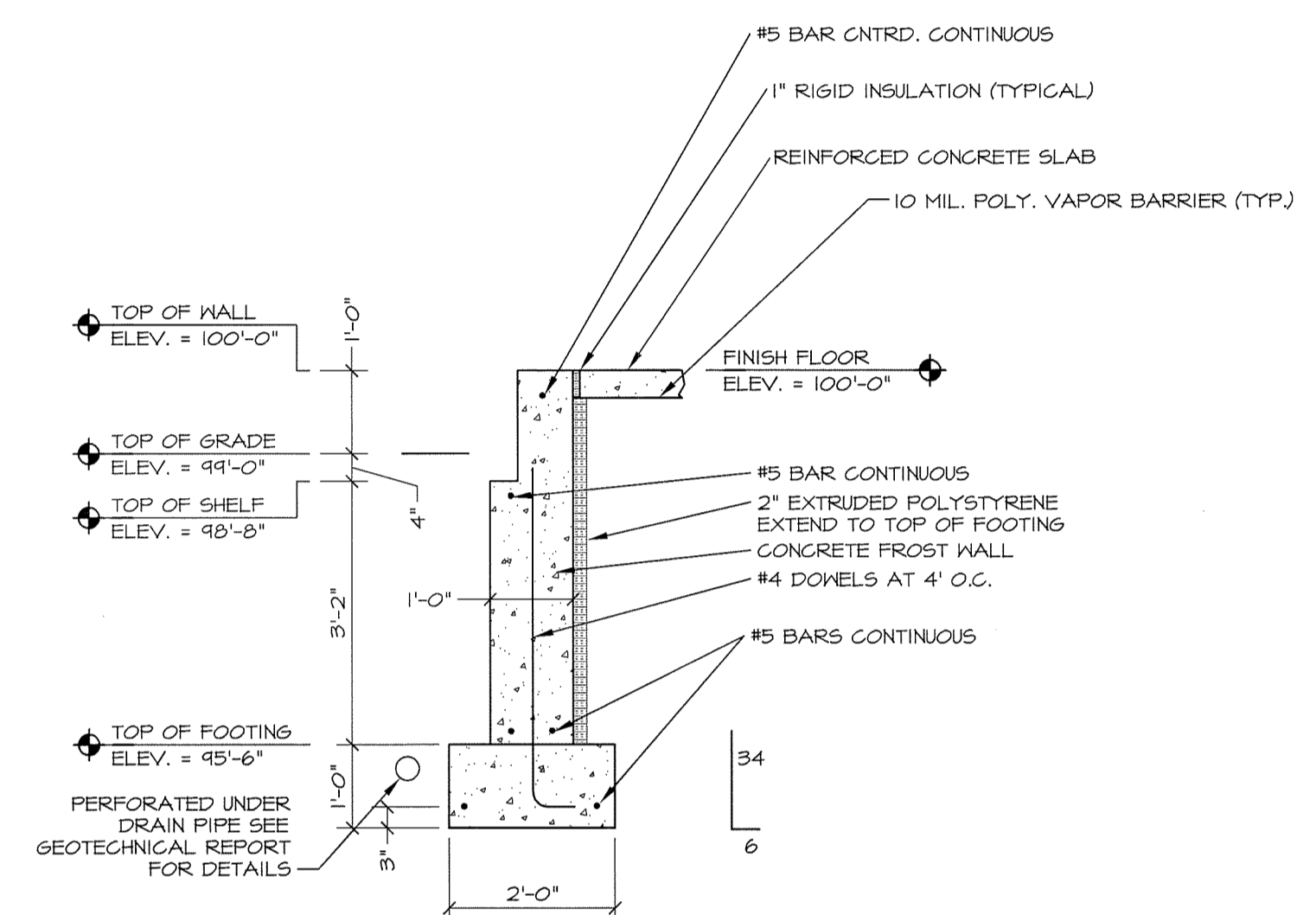
**2** INTERIOR FOOTING/PIER SECTION  
 1/2" = 1'-0"



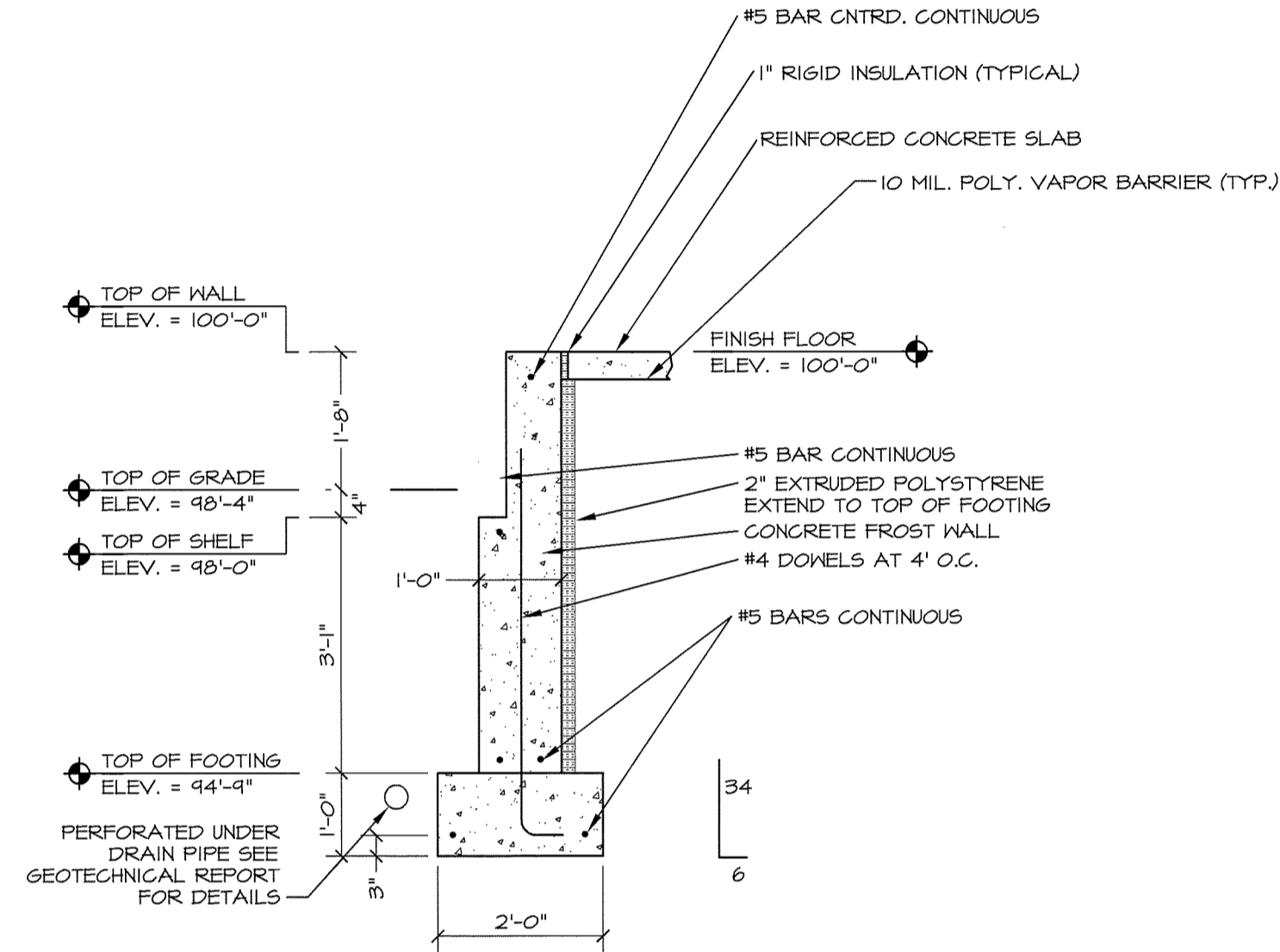
**3** INTERIOR FOOTING/PIER SECTION  
 1/2" = 1'-0"



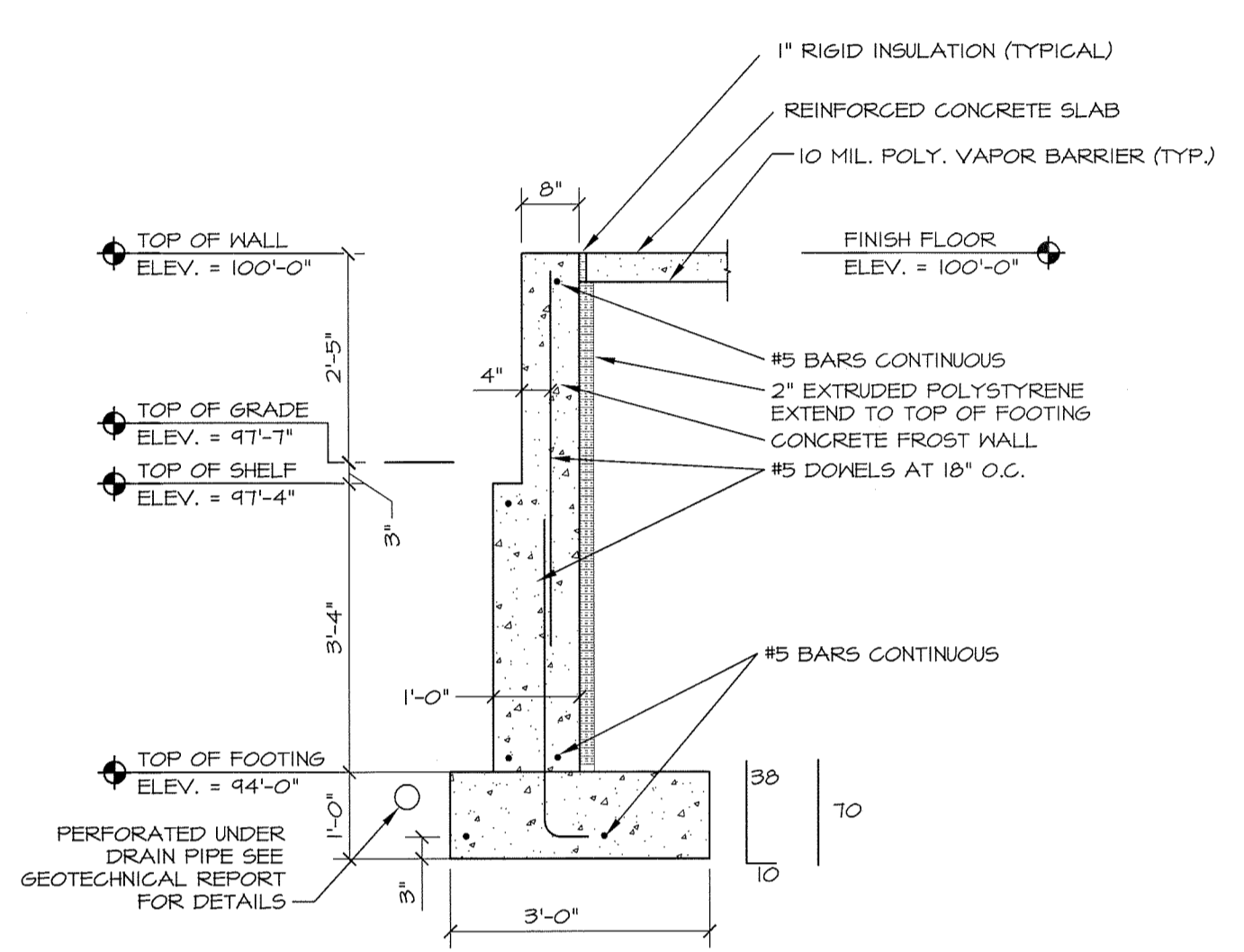
**4** EXTERIOR FOOTING/PIER SECTION  
 1/2" = 1'-0"



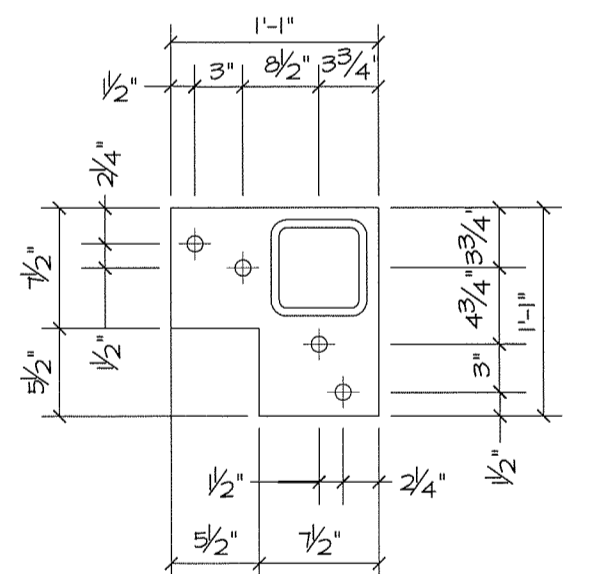
**5** FROST WALL DETAIL  
 1/2" = 1'-0"



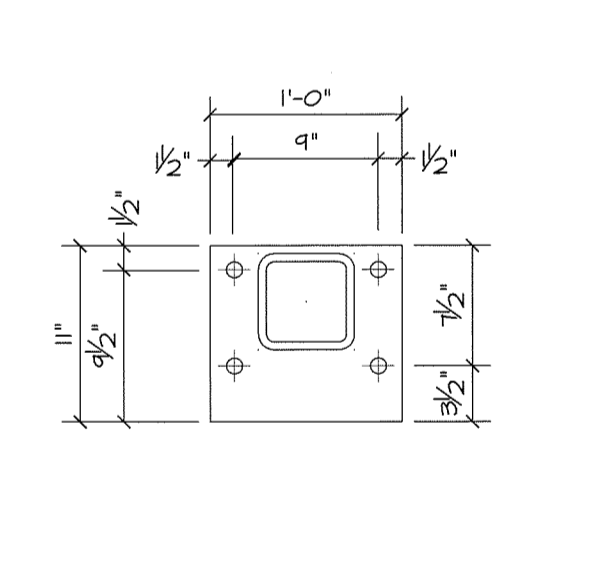
**6** FROST WALL DETAIL  
 1/2" = 1'-0"



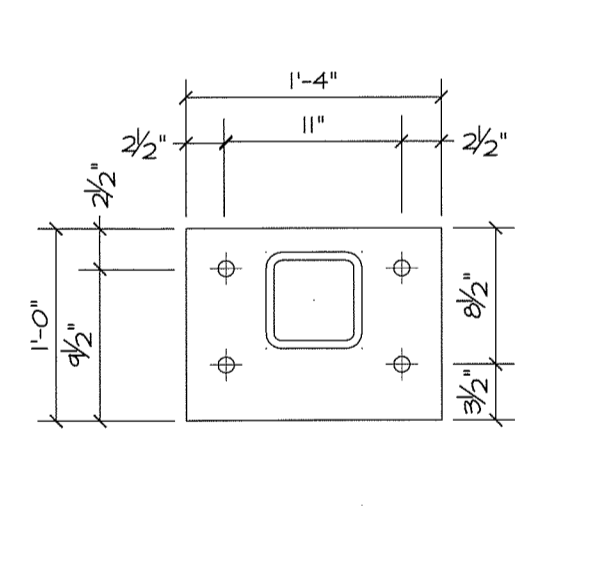
**7** FROST WALL DETAIL  
 1/2" = 1'-0"



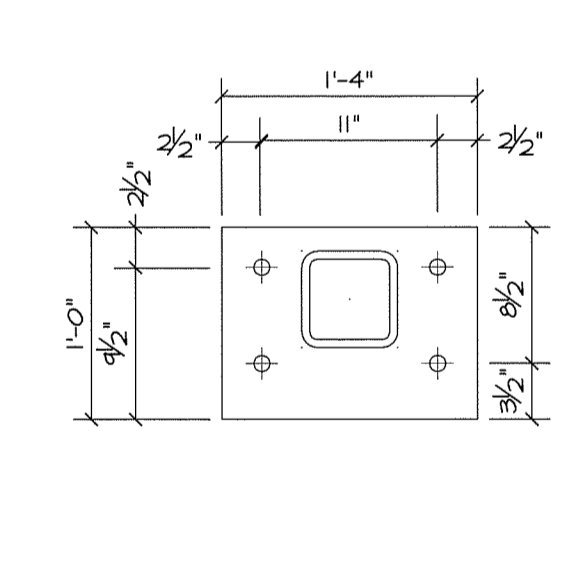
**BASEPLATE 1**  
 1" = 1'-0"  
 ROTATE AS REQ'D  
 1" THICK PLATE WITH 3/4" DIA. x 18" LONG ANCHOR RODS, 4" PROJECTION



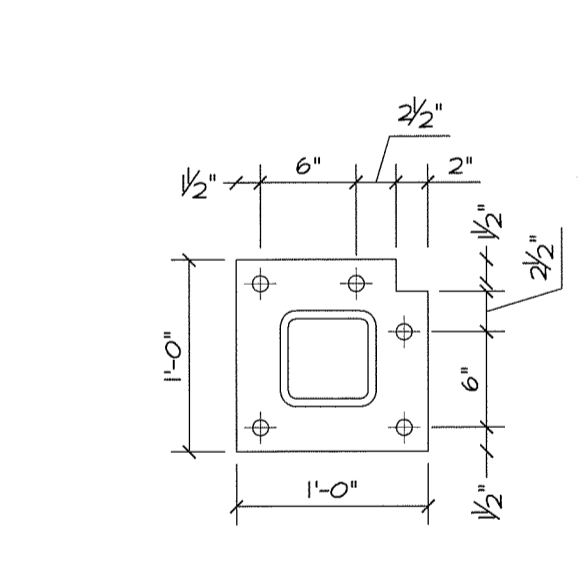
**BASEPLATE 2**  
 1" = 1'-0"  
 ROTATE AS REQ'D  
 1" THICK PLATE WITH 3/4" DIA. x 18" LONG ANCHOR RODS, 4" PROJECTION



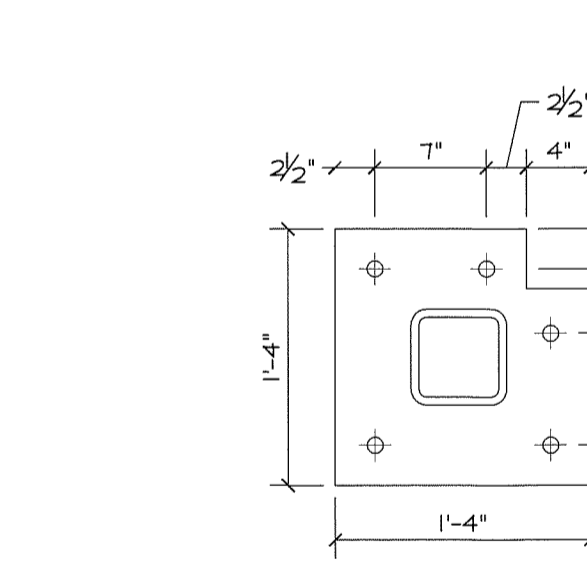
**BASEPLATE 2A**  
 1" = 1'-0"  
 ROTATE AS REQ'D  
 1 1/2" THICK PLATE WITH 1 1/2" DIA. x 24" LONG ANCHOR RODS, 4" PROJECTION



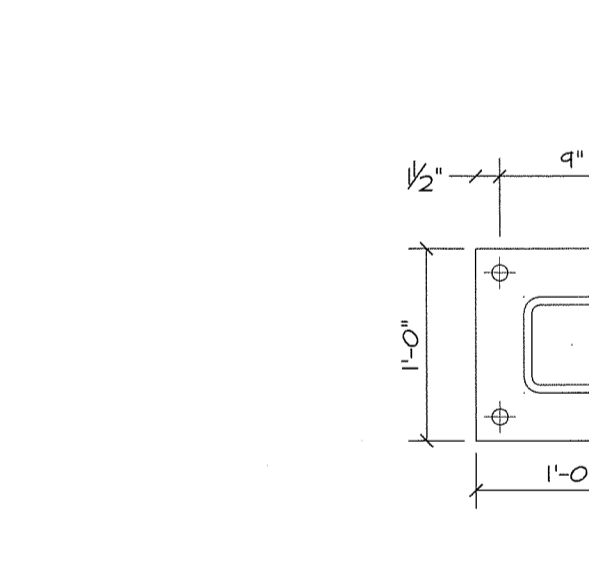
**BASEPLATE 2B**  
 1" = 1'-0"  
 ROTATE AS REQ'D  
 1 1/2" THICK PLATE WITH 1 1/2" DIA. x 30" LONG ANCHOR RODS, 4" PROJECTION



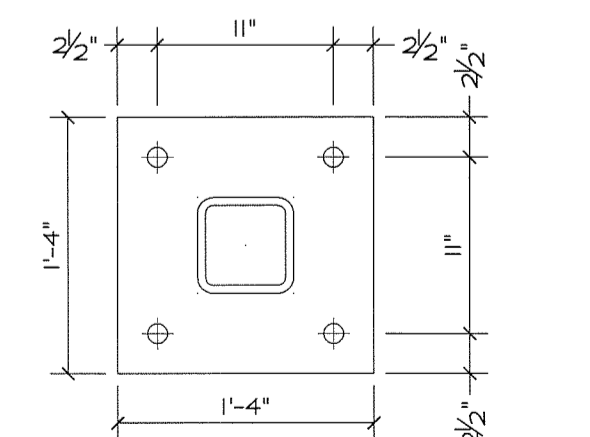
**BASEPLATE 3**  
 1" = 1'-0"  
 ROTATE AS REQ'D  
 1" THICK PLATE WITH 3/4" DIA. x 18" LONG ANCHOR RODS, 4" PROJECTION



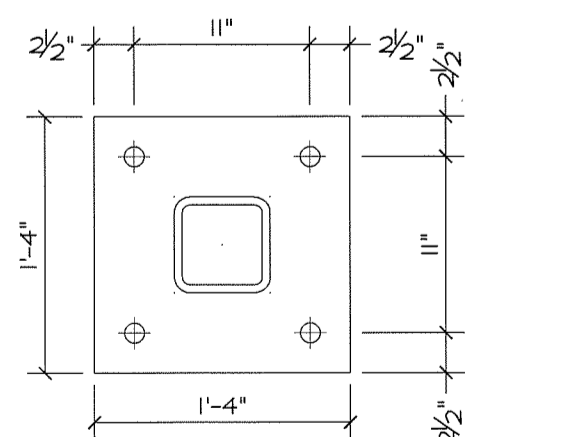
**BASEPLATE 3A**  
 1" = 1'-0"  
 ROTATE AS REQ'D  
 1 1/2" THICK PLATE WITH 1 1/2" DIA. x 24" LONG ANCHOR RODS, 4" PROJECTION



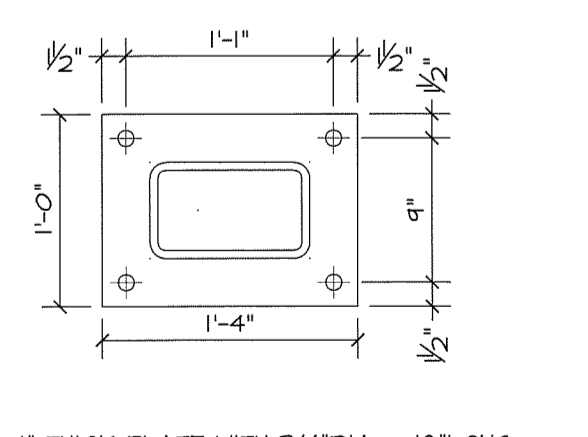
**BASEPLATE 4**  
 1" = 1'-0"  
 1" THICK PLATE WITH 3/4" DIA. x 18" LONG ANCHOR RODS, 4" PROJECTION



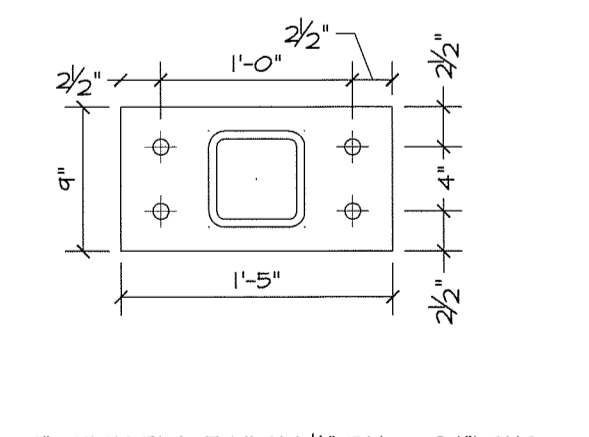
**BASEPLATE 4A**  
 1" = 1'-0"  
 1 1/4" THICK PLATE WITH 1 1/4" DIA. x 24" LONG ANCHOR RODS, 4" PROJECTION



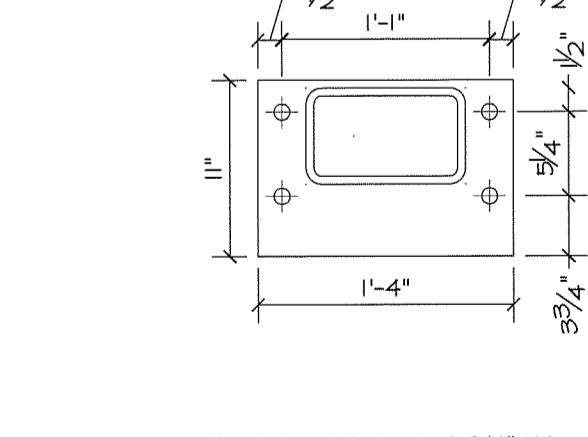
**BASEPLATE 4B**  
 1" = 1'-0"  
 1 1/4" THICK PLATE WITH 1 1/2" DIA. x 30" LONG ANCHOR RODS, 4" PROJECTION



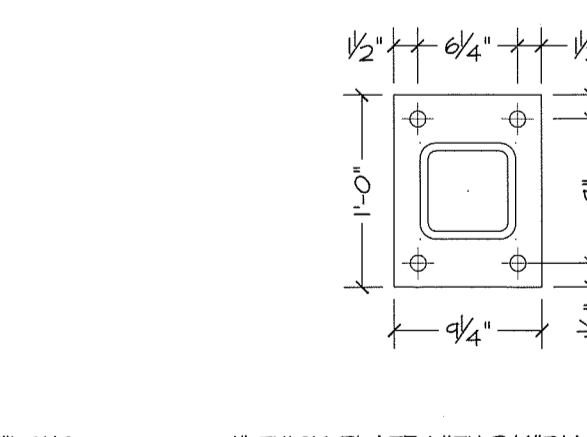
**BASEPLATE 5**  
 1" = 1'-0"  
 1" THICK PLATE WITH 3/4" DIA. x 18" LONG ANCHOR RODS, 4" PROJECTION



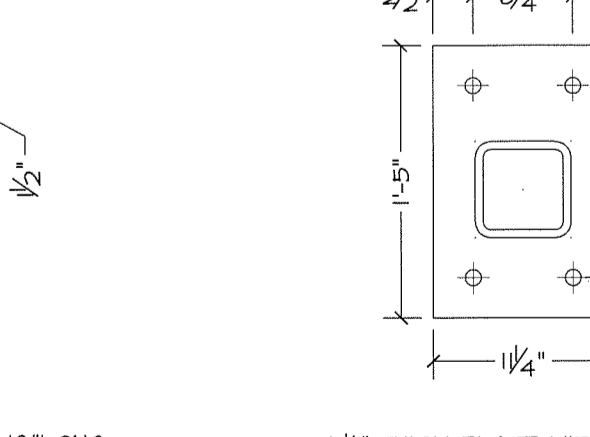
**BASEPLATE 6**  
 1" = 1'-0"  
 1" THICK PLATE WITH 1 1/4" DIA. x 24" LONG ANCHOR RODS, 4" PROJECTION



**BASEPLATE 7**  
 1" = 1'-0"  
 1" THICK PLATE WITH 3/4" DIA. x 18" LONG ANCHOR RODS, 4" PROJECTION



**BASEPLATE 8**  
 1" = 1'-0"  
 1" THICK PLATE WITH 3/4" DIA. x 18" LONG ANCHOR RODS, 4" PROJECTION



**BASEPLATE 8A**  
 1" = 1'-0"  
 1 1/2" THICK PLATE WITH 1 1/4" DIA. x 24" LONG ANCHOR RODS, 4" PROJECTION

NOTES:  
 1. ANCHOR RODS MUST BE F1554, GR. 36, HEADED RODS OR STRAIGHT RODS WITH NUTS - DO NOT USE 'J' RODS.  
 2. PROVIDE 3/4" DIAMETER x 18" LONG HEADED ANCHOR RODS WITH 4" PROJECTION UNO. - REDUCE BOLT LENGTH WHERE BASE PLATE IS DIRECTLY ON FOOTING AS REQUIRED TO PROVIDE 3" CLEAR COVER TO THE BOTTOM OF THE FOOTING.  
 3. PROVIDE 1 1/8" DIAMETER HOLES FOR 3/4" DIAMETER ANCHOR RODS. PROVIDE 1-3/8" DIAMETER HOLES FOR 1 1/4" DIAMETER ANCHOR RODS. PROVIDE 2 1/4" HOLES FOR 1 1/2" DIAMETER ANCHOR RODS.

NOTES:  
 1. PROVIDE 3" x 3" x 1/2" PLATE WASHER FOR 1 1/2" DIAMETER ANCHOR RODS.  
 2. PROVIDE 3 1/2" x 3 1/2" x 1/2" PLATE WASHER FOR 1 1/4" DIAMETER ANCHOR RODS.  
 3. WELD ALL PLATE WASHERS TO BASE PLATES.

DATE	REVISION SCHEDULE	BY
01-30-13	REVISE FTG. SCHED. & TILE BLOCK	E.L.
02-11-13	REVISE FND. FOOTING SIZE AND BASE PLATES	E.L.
02-19-13	REVISE FND. BASE PLATES	E.L.

**COPECHEE**  
 CONSTRUCTION CORPORATION  
 11 CORPORATE DRIVE, BELMONT NH 03220  
 PHONE (603) 337-9690 FAX (603) 337-9191

**FOUNDATION & SECTIONS & BASE PLATES**

PROJECT: **COMMERCIAL & MAPLE STREET MIXED USE CONSTRUCTION** PORTLAND, ME.

DATE: 02-13-13  
 SCALE: 1/8" = 1'-0"  
 DRAWN BY: E.L.  
**S3**  
 SHEET:

