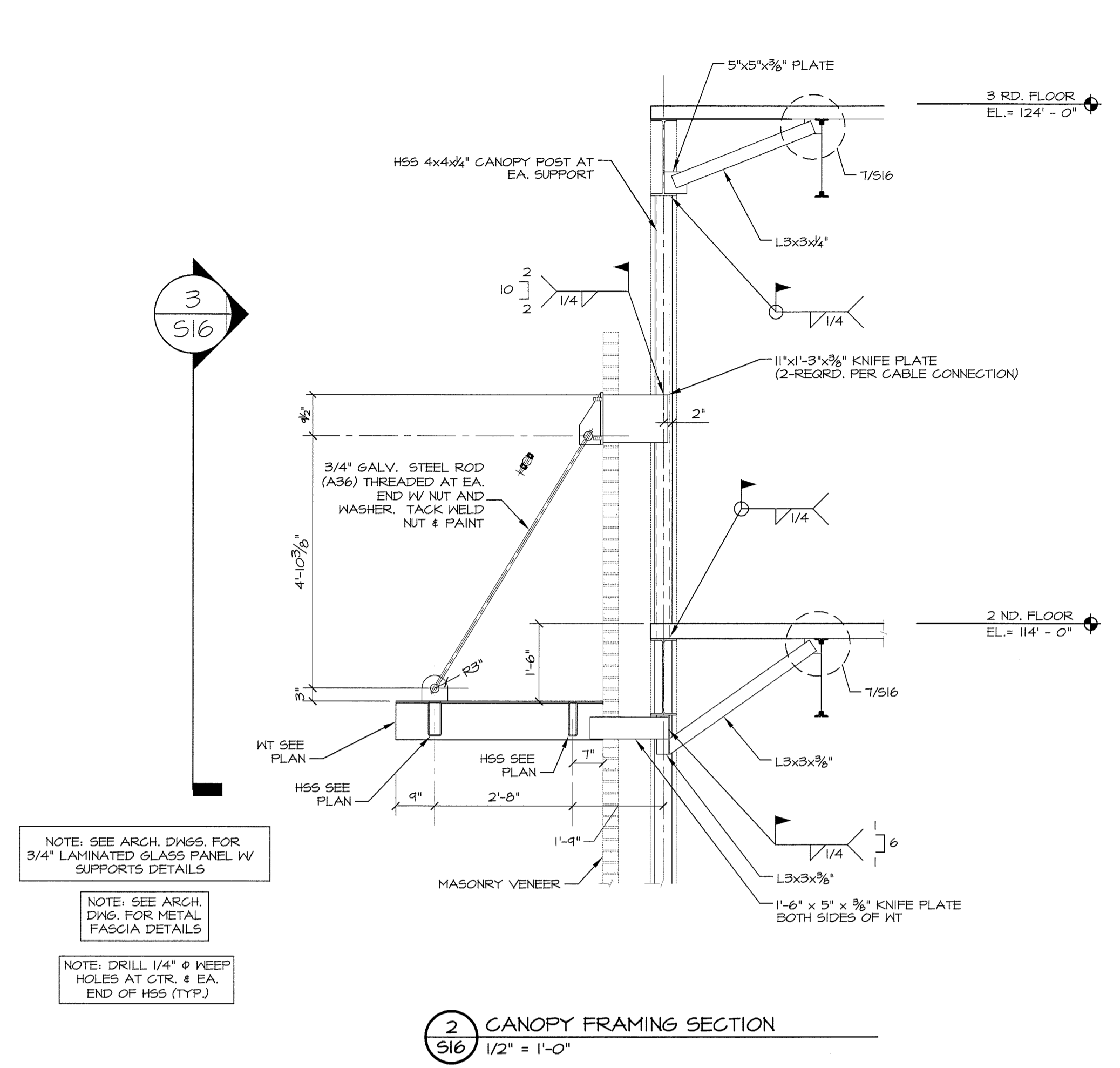


1 CANOPY FRAMING SECTION
1/2" = 1'-0"

NOTE: SEE ARCH. DWGS. FOR 3/4" LAMINATED GLASS PANEL W/ SUPPORTS DETAILS

NOTE: SEE ARCH. DWGS. FOR METAL FASCIA DETAILS

NOTE: DRILL 1/4" Ø KEEP HOLES AT CTR. & EA. END OF HSS (TYP.)

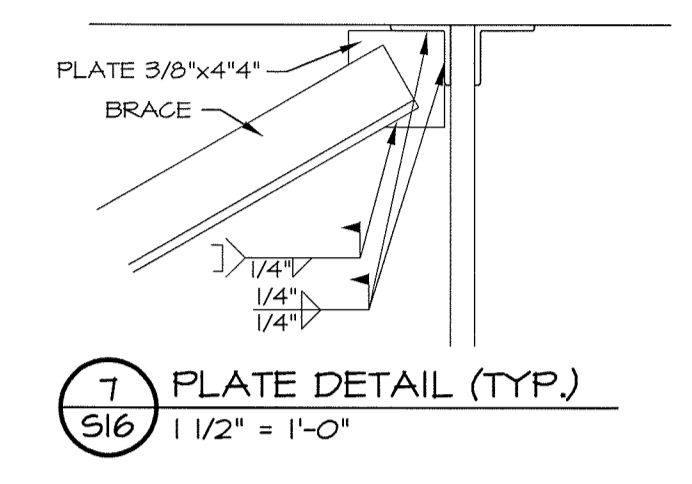


2 CANOPY FRAMING SECTION
1/2" = 1'-0"

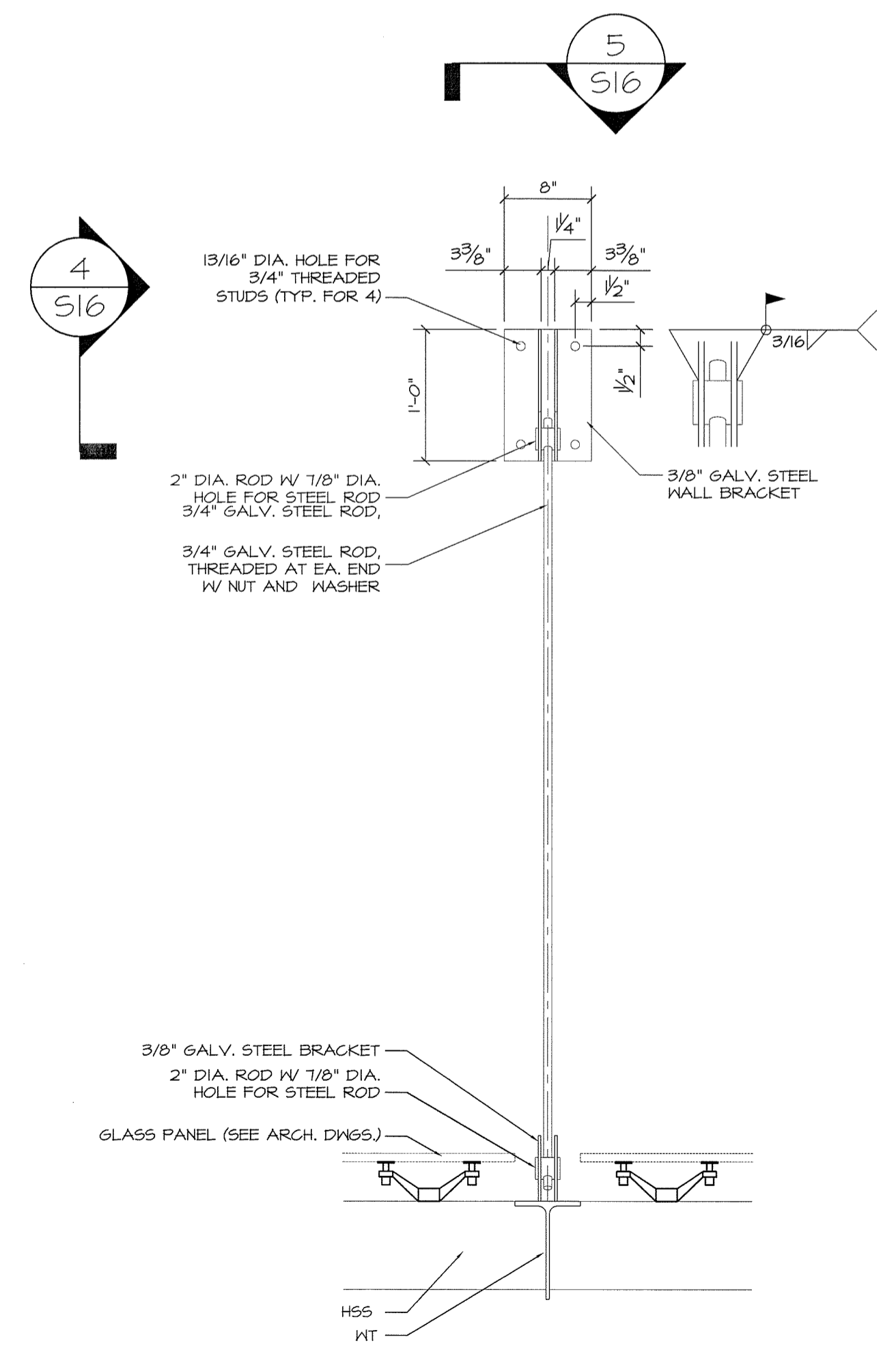
NOTE: SEE ARCH. DWGS. FOR 3/4" LAMINATED GLASS PANEL W/ SUPPORTS DETAILS

NOTE: SEE ARCH. DWGS. FOR METAL FASCIA DETAILS

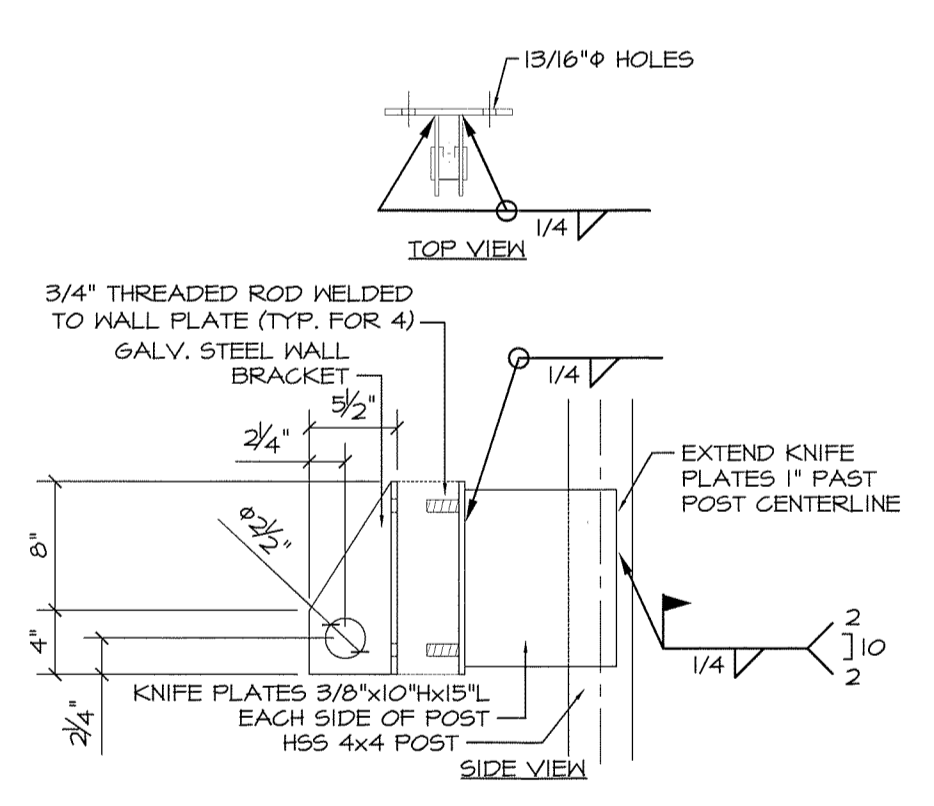
NOTE: DRILL 1/4" Ø KEEP HOLES AT CTR. & EA. END OF HSS (TYP.)



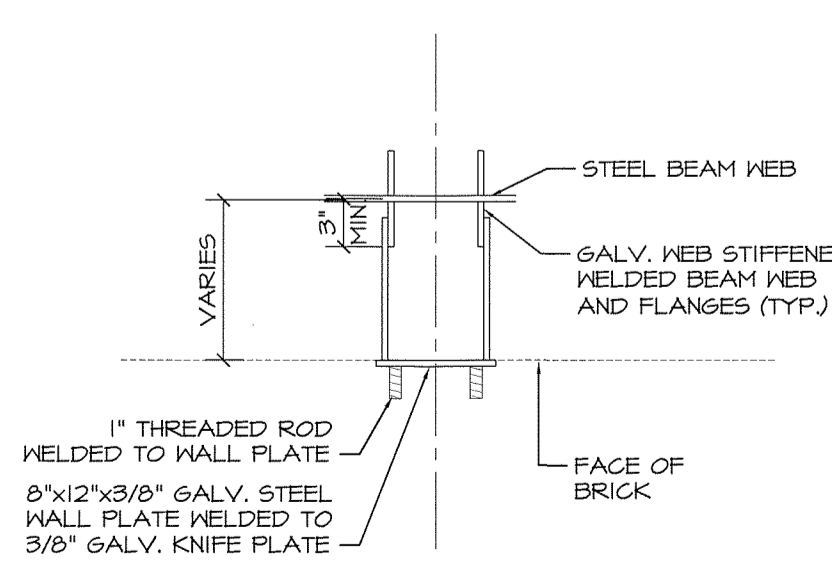
7 PLATE DETAIL (TYP.)
1 1/2" = 1'-0"



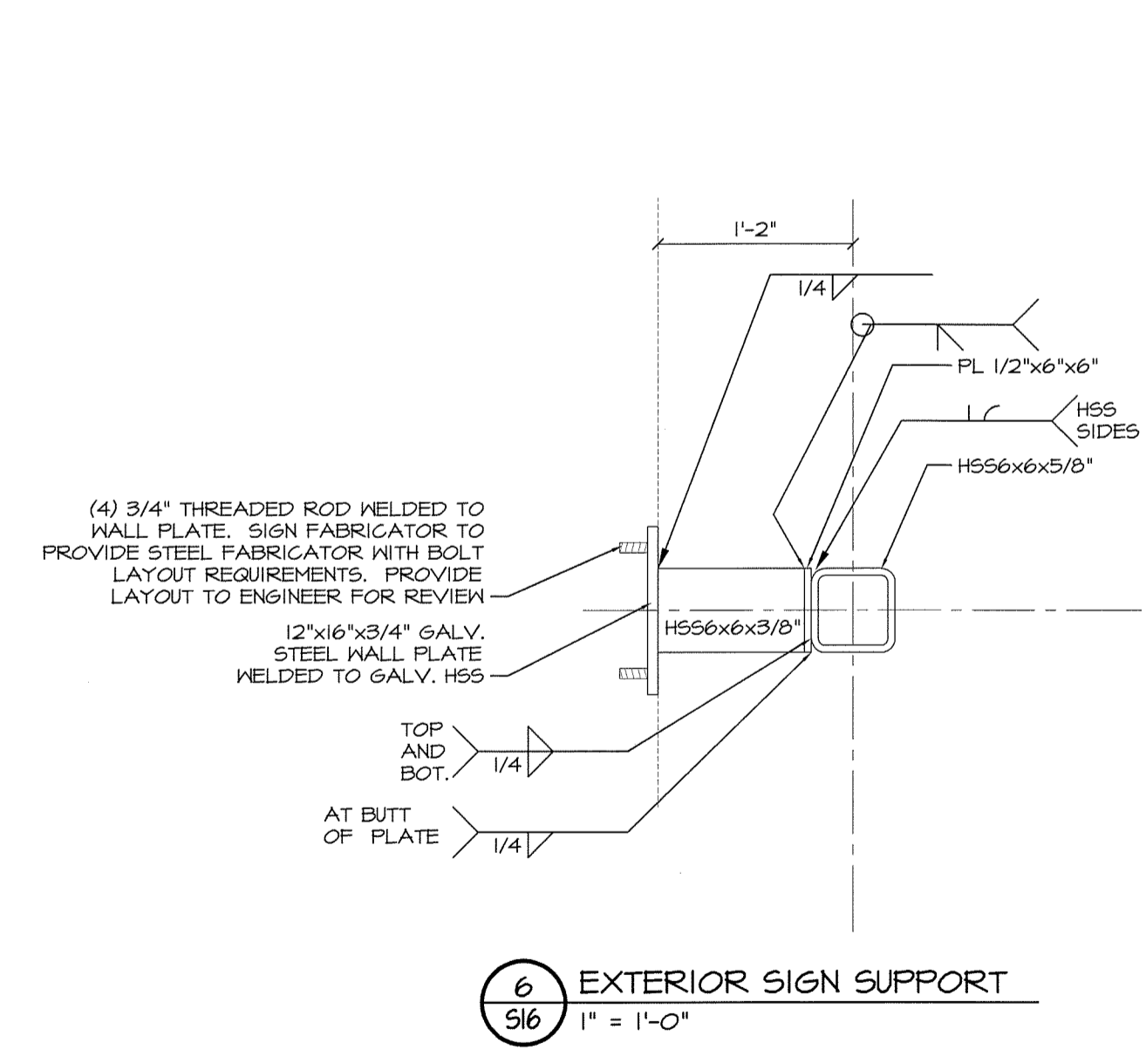
3 CONNECTION DETAIL
1/2" = 1'-0"



4 UPPER BRACKET (TYP.)
1" = 1'-0"



5 WALL PLATE BRACKET AT WEB (PLAN VIEW)
1" = 1'-0"



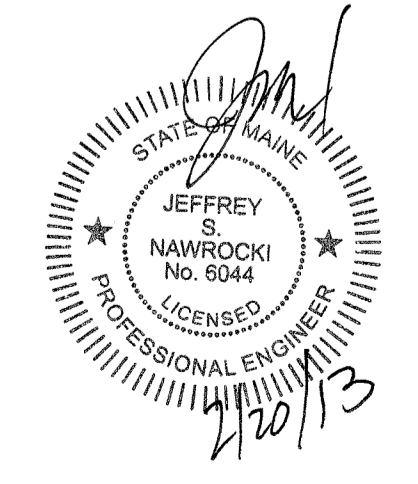
6 EXTERIOR SIGN SUPPORT
1" = 1'-0"

REVISION SCHEDULE	
DATE	REVISION DESCRIPTION
01-30-13	REVISE TITLE BLOCK
02-18-13	NEW CANOPY FRAMING DETAILS
02-20-13	PERMIT

COPECHEE
CONSTRUCTION CORPORATION
11 CORPORATE DRIVE, BELMONT NH 03220
PHONE (603) 527-9096 FAX (603) 527-9191

CANOPY & SIGN FRAMING DETAILS

PROJECT: COMMERCIAL & MAPLE STREET MIXED USE DEVELOPMENT PORTLAND ME.



DATE: 02-20-13
SCALE: 1/8" = 1'-0"
DRAWN BY: E.J.L.

S16
SHEET