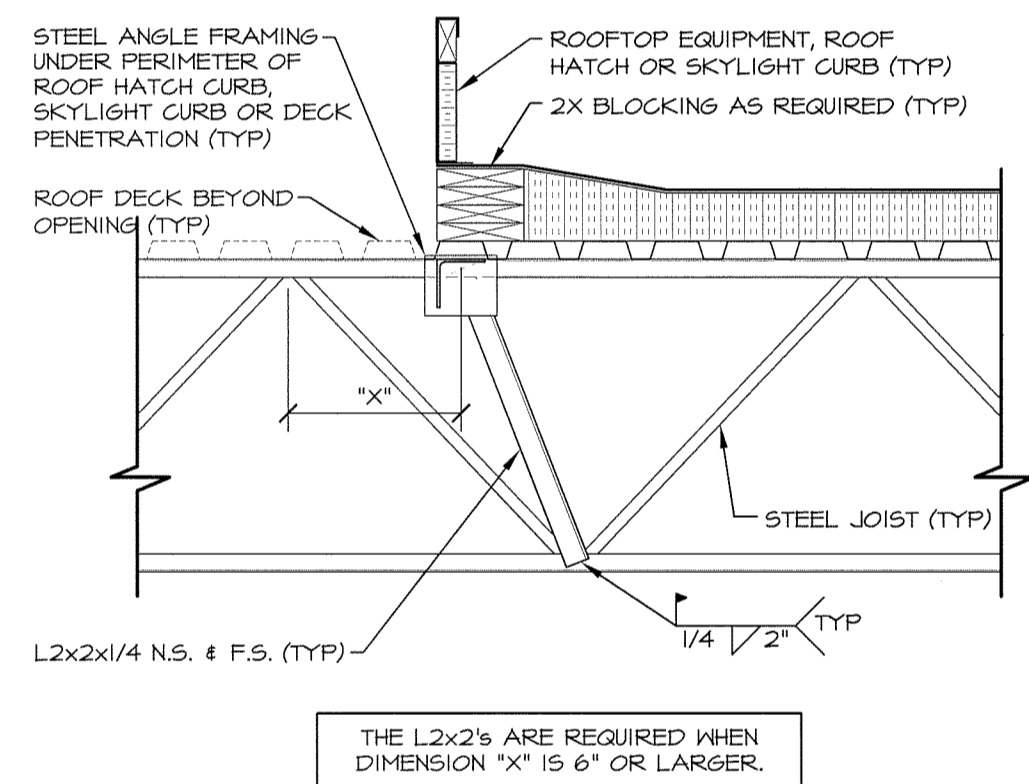
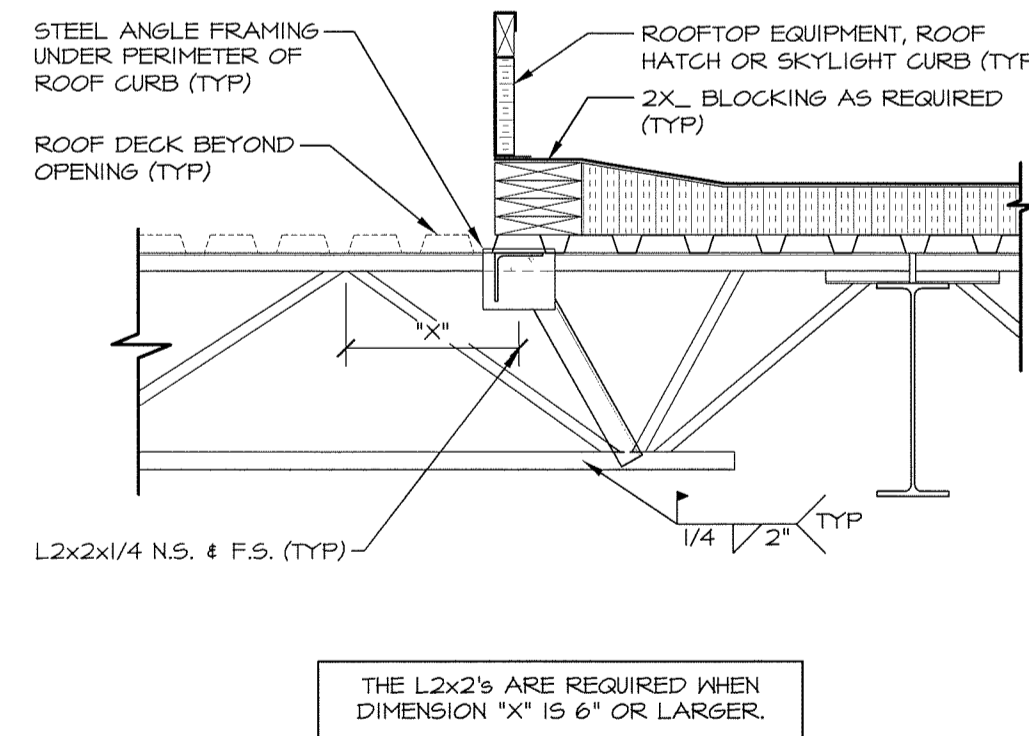


1 JOIST REINFORCEMENT & CURB SUPPORT DETAIL
 5/16 3/4" = 1'-0"



2 JOIST REINFORCEMENT & CURB SUPPORT DETAIL
 5/16 3/4" = 1'-0"



THE L2x2'S ARE REQUIRED WHEN DIMENSION 'X' IS 6" OR LARGER.

TABLE - 1
 GUIDELINES FOR REINFORCEMENT OF DECK DUE TO PENETRATIONS OR DAMAGE

THESE GUIDELINES APPLY TO ROOF AND COMPOSITE FLOOR DECKS ONLY. CONSULT ENGINEER REGARDING NON-COMPOSITE (FORM) DECKS.

1. IF CUT OPENING OR DAMAGED AREA IS LESS THAN OR EQUAL TO 6" IN DIAMETER OR SQUARE (ONLY ONE PER DECK SHEET); NO REINFORCEMENT NECESSARY.
2. IF CUT OPENING OR DAMAGED AREA'S WIDTH PERPENDICULAR TO THE FLUTES IS LARGER THAN 6" BUT LESS THAN OR EQUAL TO 12" (ONLY ONE PER DECK SHEET):

IN ROOF DECK, COVER WITH A 16 GAUGE PLATE EXTENDING 6" BEYOND EACH EDGE OF OPENING OR DAMAGED AREA. FASTEN TO EACH CELL AROUND PERIMETER USING #12 TEK SCREWS @ 6" O/C. IN COMPOSITE DECK, NO REINFORCEMENT IS REQUIRED.

3. IF CUT OPENING OR DAMAGED AREA'S WIDTH PERPENDICULAR TO THE FLUTES IS LARGER THAN 12" BUT LESS THAN OR EQUAL TO 18" (ONLY ONE PER DECK SHEET):

FRAME OPENING WITH 2x2x1/4 STEEL ANGLES ON ALL SIDES AND WELD HEADERS TO JOISTS ON EACH SIDE. (Similar to Detail 6 on this Sheet)

SEE FIGURES 1 AND 2 FOR EXCEPTIONS.

4. IF CUT OPENING OR DAMAGED AREA'S WIDTH PERPENDICULAR TO THE FLUTES IS LARGER THAN 18" BUT LESS THAN OR EQUAL TO 36" (ONLY ONE PER DECK SHEET):

FRAME OPENING WITH 3x3x1/4 STEEL ANGLES ON ALL SIDES AND WELD HEADERS TO JOISTS ON EACH SIDE. (Similar to Detail 6 on this Sheet)

SEE FIGURES 1 AND 2 FOR EXCEPTIONS.

5. IF CUT OPENING OR DAMAGED AREA'S WIDTH PERPENDICULAR TO THE FLUTES IS LARGER THAN 36" BUT LESS THAN OR EQUAL TO 48":

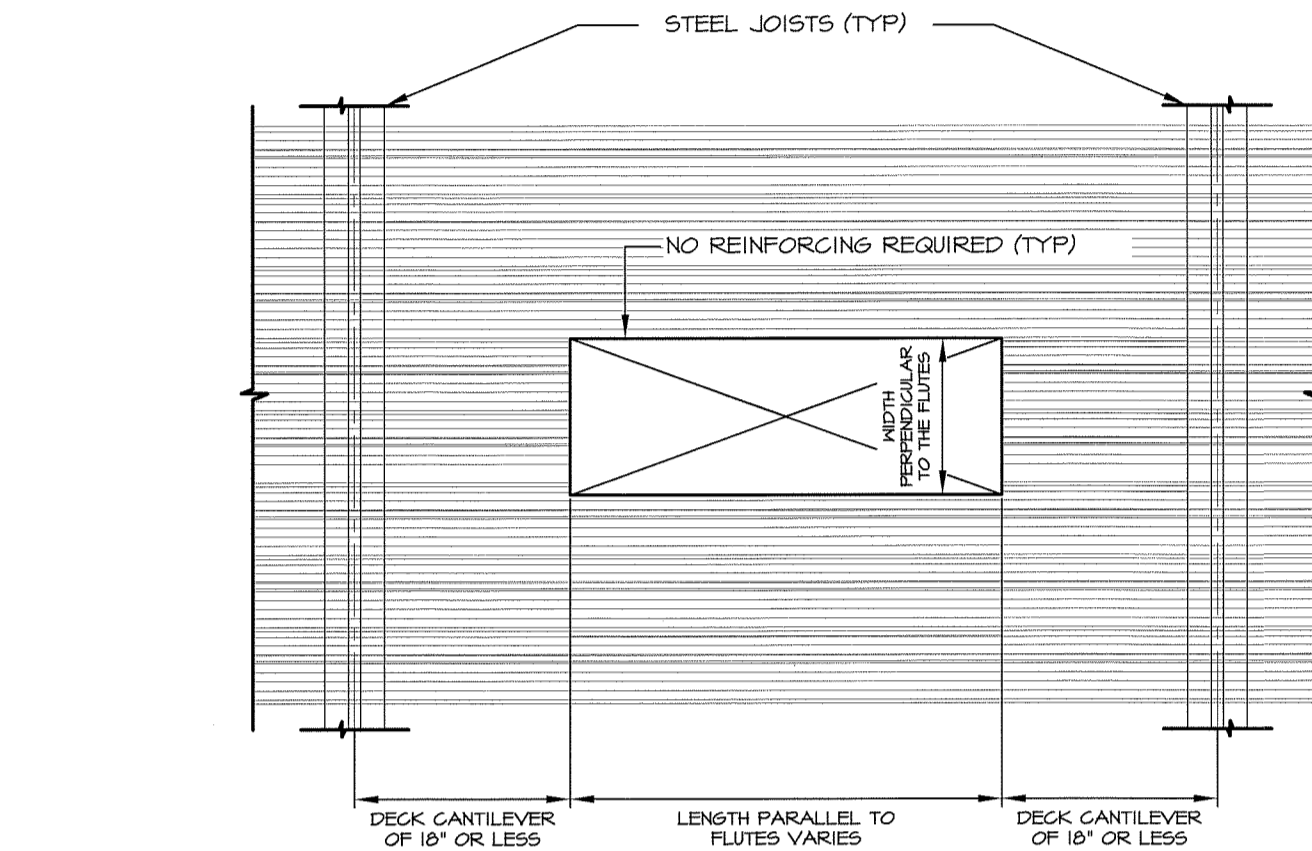
FRAME OPENINGS WITH 4x4x1/4 STEEL ANGLES ON ALL SIDES AND WELD HEADERS TO JOISTS ON EACH SIDE. (Similar to Detail 6 on this Sheet)

SEE FIGURES 1 AND 2 FOR EXCEPTIONS.

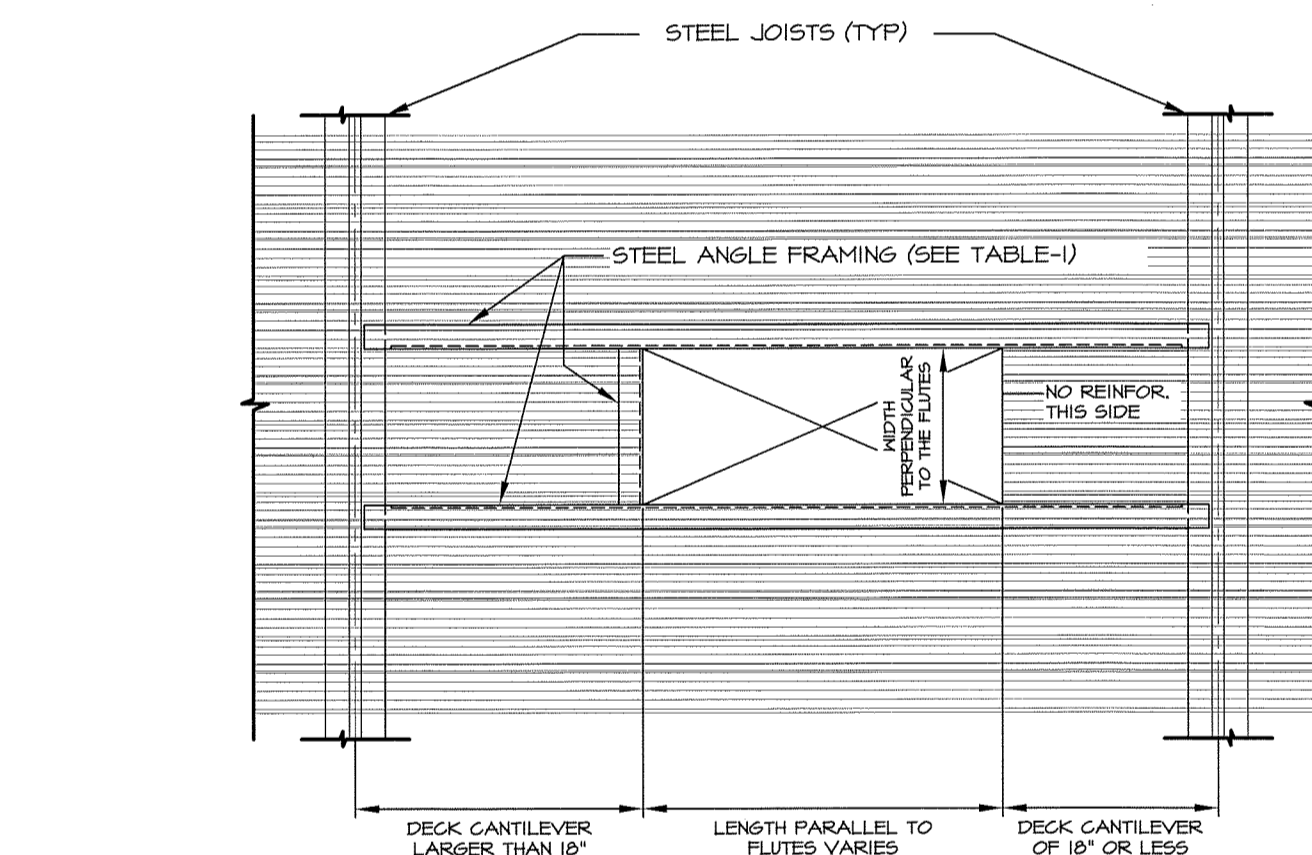
6. IF CUT OPENING OR DAMAGED AREA'S WIDTH PERPENDICULAR TO THE FLUTES IS LARGER THAN 48":

CONSULT STRUCTURAL ENGINEER OF RECORD FOR FRAMING REQUIREMENTS.

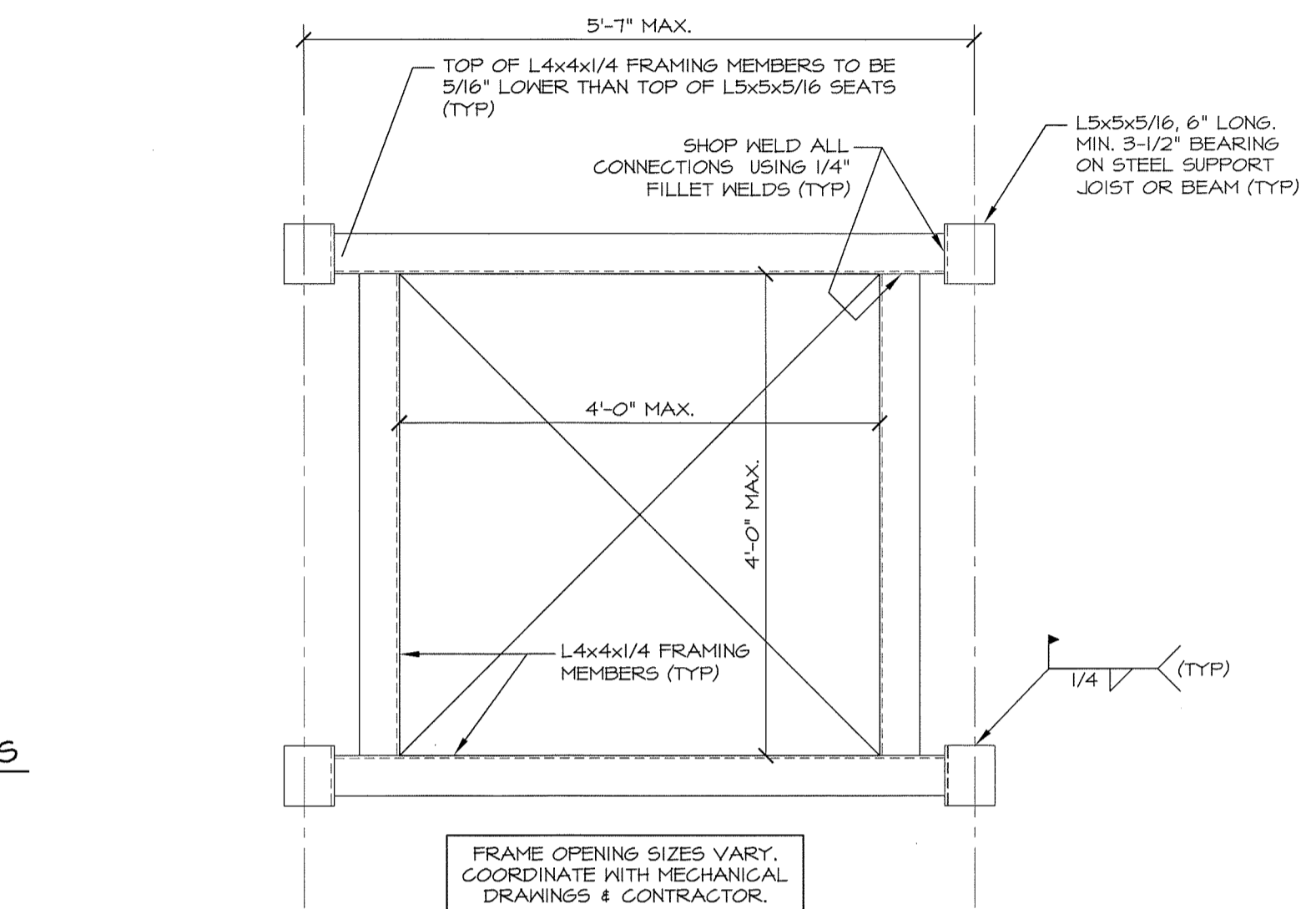
GUIDELINES FOR DECK REINFORCEMENT



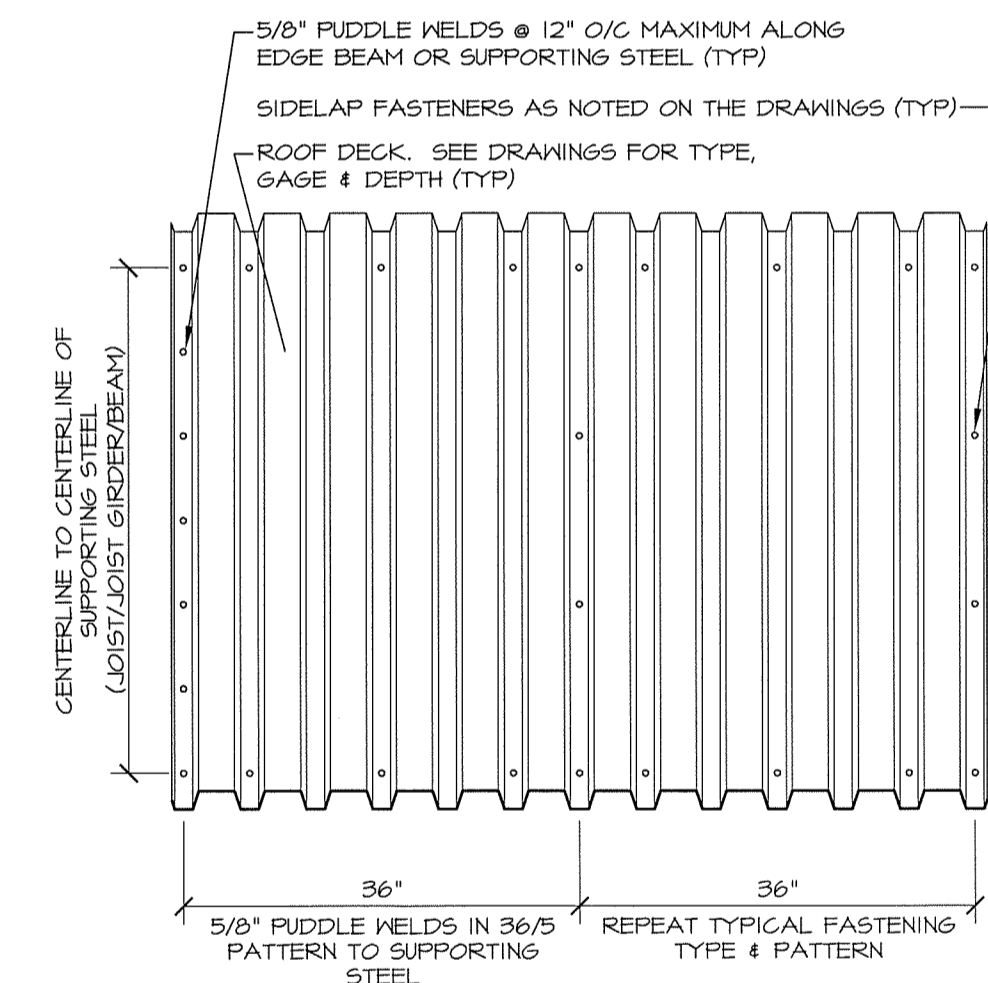
4 FIGURE - 1 : EXCEPTION TO DECK REINFORCEMENT REQUIREMENTS
 5/16 3/4" = 1'-0" APPLICABLE TO ROOF AND COMPOSITE DECKS (1-1/2" MIN. DEPTH)



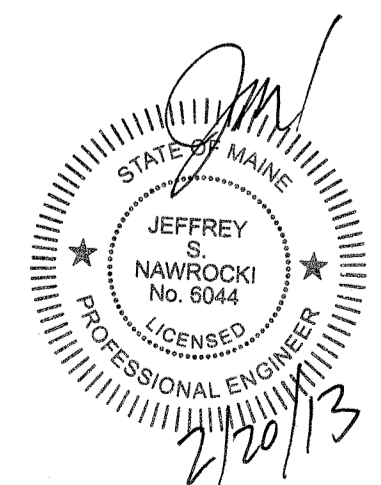
5 FIGURE - 2 : EXCEPTION TO DECK REINFORCEMENT REQUIREMENTS
 5/16 3/4" = 1'-0" APPLICABLE TO ROOF AND COMPOSITE DECKS (1-1/2" MIN. DEPTH)



6 FRAMING REQUIREMENTS FOR ROOF & FLOOR DECK OPENINGS
 5/16 3/4" = 1'-0"



7 ROOF DECK ATTACHMENT DETAIL
 5/16 NOT TO SCALE



DATE	REVISION DESCRIPTION	BY
01-30-13	REVISE TITLE BLOCK	E.L.
02-18-13	UPDATE FLOOR FRAMING PER LATERAL FRAMING CHANGES	E.L.
02-20-13	PERMIT	E.L.

COPECHED
 CONSTRUCTION CORPORATION
 11 CORPORATE DRIVE, BELMONT NH 03320
 PHONE (603)327-9696 FAX (603)327-9191

ROOF DECK REINFORCEMENT DETAILS

PROJECT: COMMERCIAL & MAPLE STREET MIXED USE DEVELOPMENT PORTLAND, ME.

DATE: 02-20-13
 SCALE: 1/8" = 1'-0"
 DRAWN BY: E.L.
S15
 SHEET: