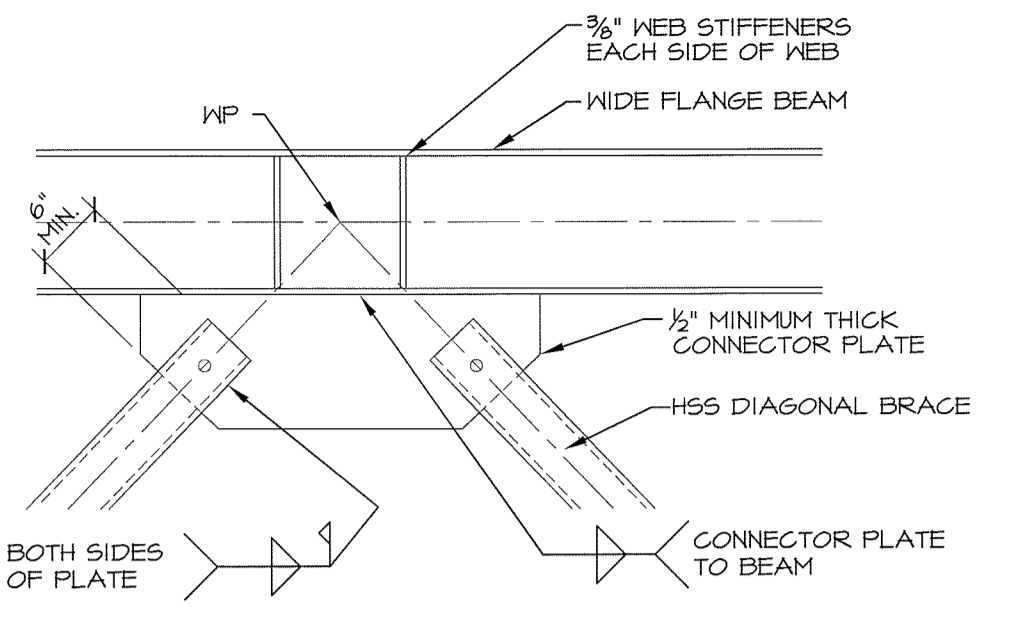
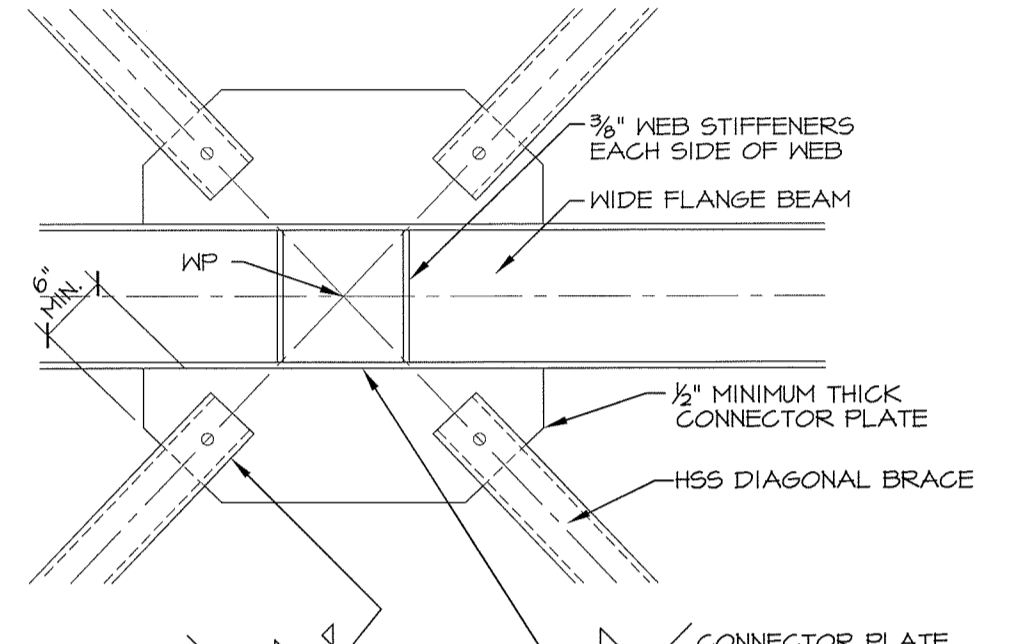


SCHEMATIC BRACE DETAILS
3/4" = 1'-0"



NOTE:
3/8" SLOT ALONG CENTERLINE OF BRACE TO FIT OVER CONNECTOR PLATE ← SLOT WIDTH TO BE NO MORE THAN 1/16" WIDER THAN GUSSET PLATE THICKNESS

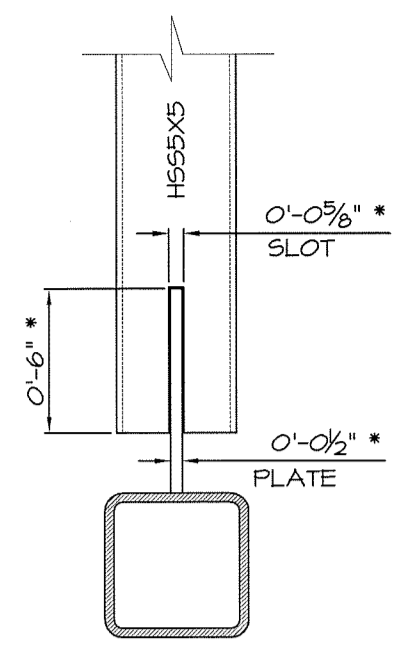
SCHEMATIC HEAD-BRACE FRAMING DETAIL



NOTE:
3/8" SLOT ALONG CENTERLINE OF BRACE TO FIT OVER CONNECTOR PLATE ← SLOT WIDTH TO BE NO MORE THAN 1/16" WIDER THAN GUSSET PLATE THICKNESS

SCHEMATIC MID-BRACE FRAMING DETAIL

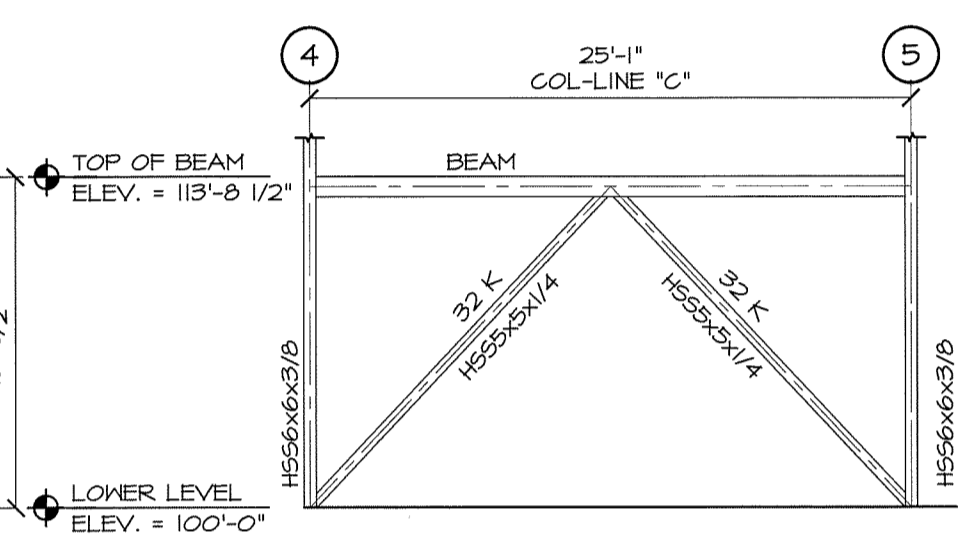
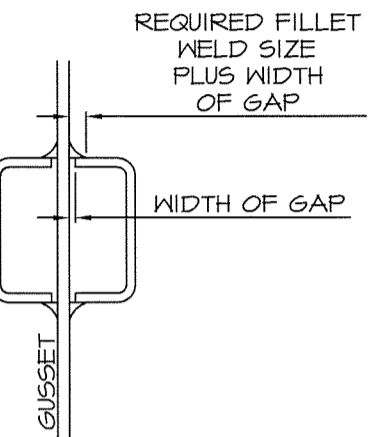
3/4" = 1'-0"



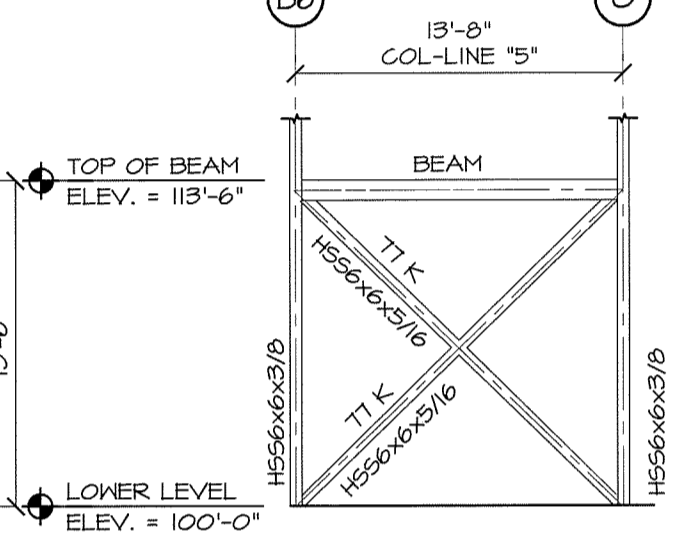
EXAMPLE

* MINIMUM DIMENSIONS - ADJUST AS INSTRUCTED BY CONNECTION ENGINEER.

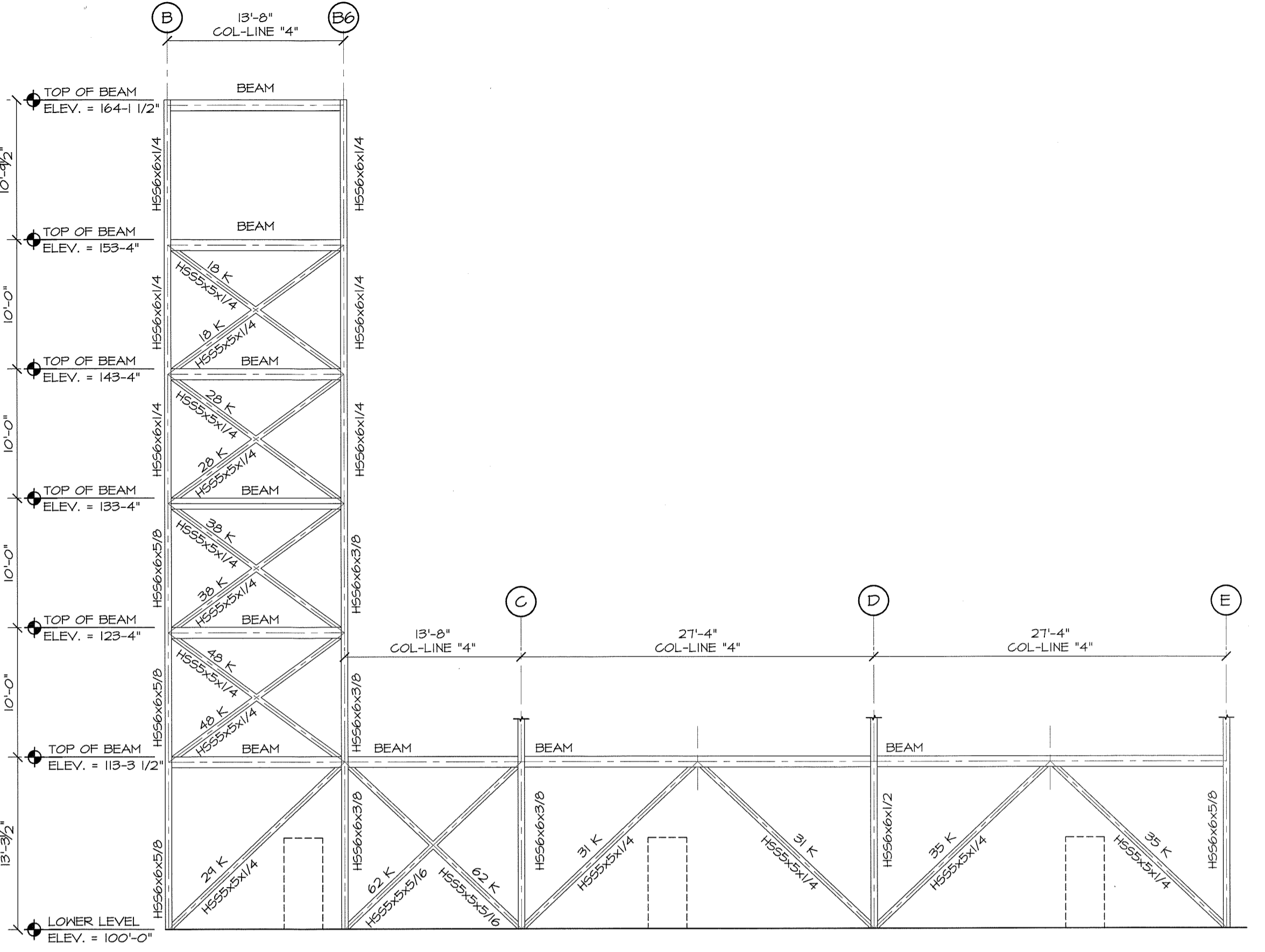
- TYPICAL BRACE CONNECTION NOTES:
1. DESIGN AND DETAILING OF ALL CONNECTIONS IS THE RESPONSIBILITY OF THE FABRICATOR'S ENGINEER.
 2. ALL GUSSET PLATES SHALL BE MIN 1/2" OR LARGER AS SPECIFIED BY FABRICATOR'S ENGINEER.
 3. SLOTS IN TUBES SHALL BE OVERSIZED BY 1/8" (MAX). SLOTS SHALL BE SHOP CUT AND NOT ALTERED IN THE FIELD WITHOUT PRIOR APPROVAL BY BOTH THE FABRICATOR'S ENGINEER AND ARCH/ENG.
 4. BRACE CONNECTIONS SHALL BE DESIGNED TO ACCOMMODATE TYPICAL GAP BETWEEN TUBE AND GUSSET PLATES. ADD SIZE OF GAP WIDTH TO SIZE OF REQUIRED FILLET WELD.
 5. TUBES SHALL LAP ONTO GUSSET PLATES A MINIMUM OF THE BRACE SIZE + 1". ADDITIONAL LAP MAY BE REQUIRED BY CONNECTION DESIGNER.
 6. IN ALL CASES GUSSET PLATE SHALL BE CENTERED IN THE GAP - SHIM AS REQUIRED.



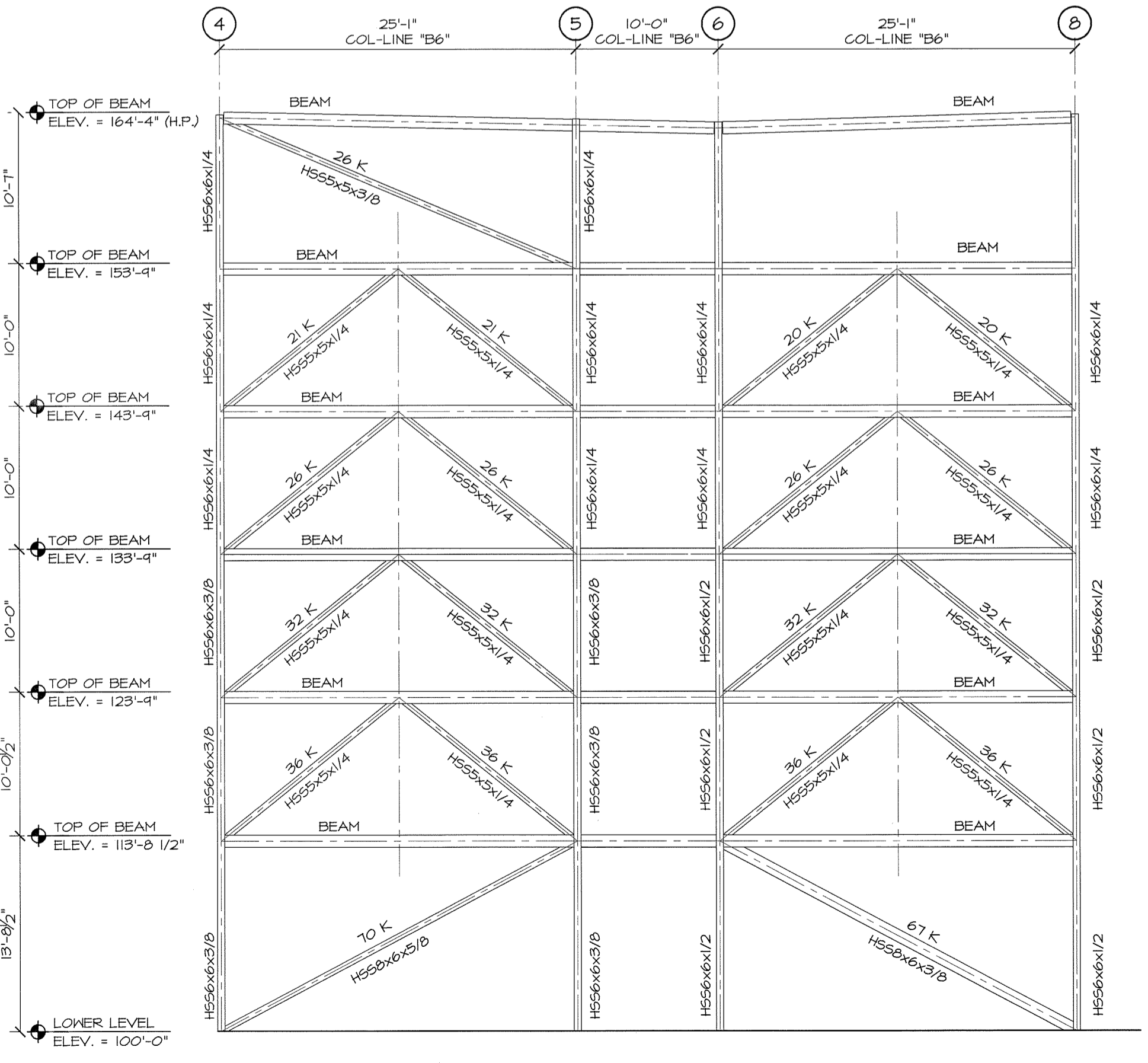
BRACED FRAME (1) ELEV.
1/8" = 1'-0"



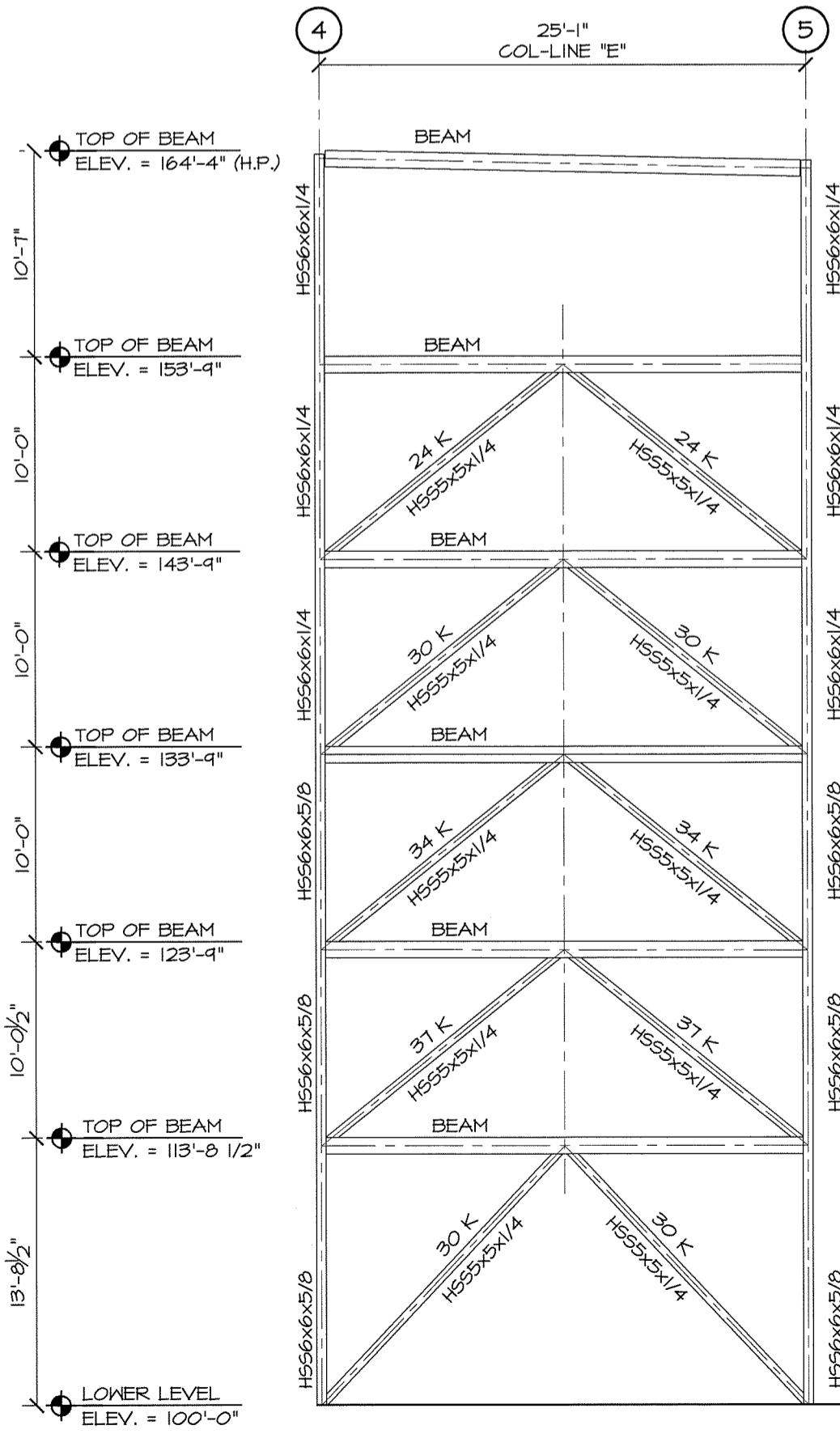
BRACED FRAME (2) ELEV.
1/8" = 1'-0"



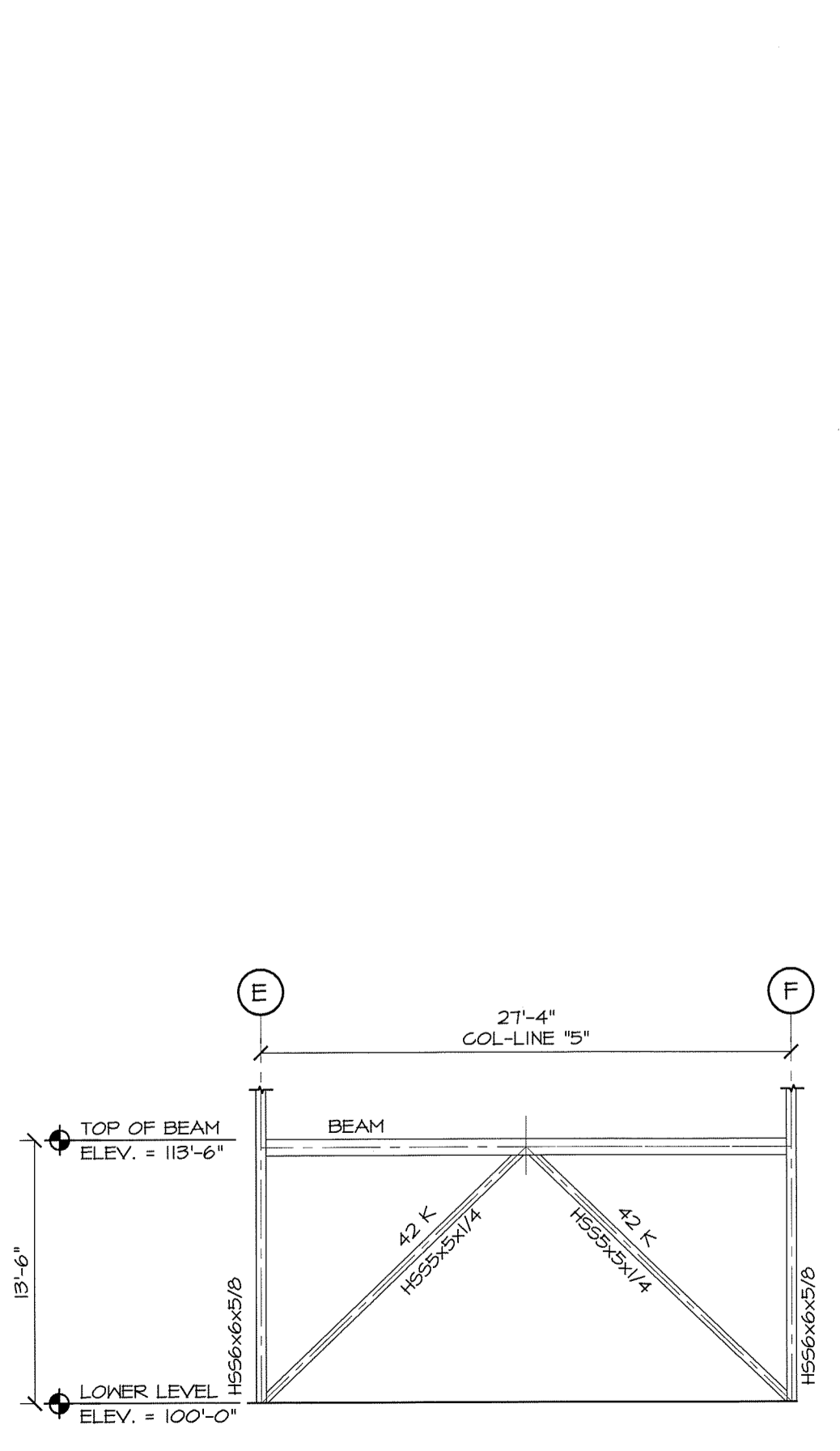
BRACED FRAME (3) ELEV.
1/8" = 1'-0"



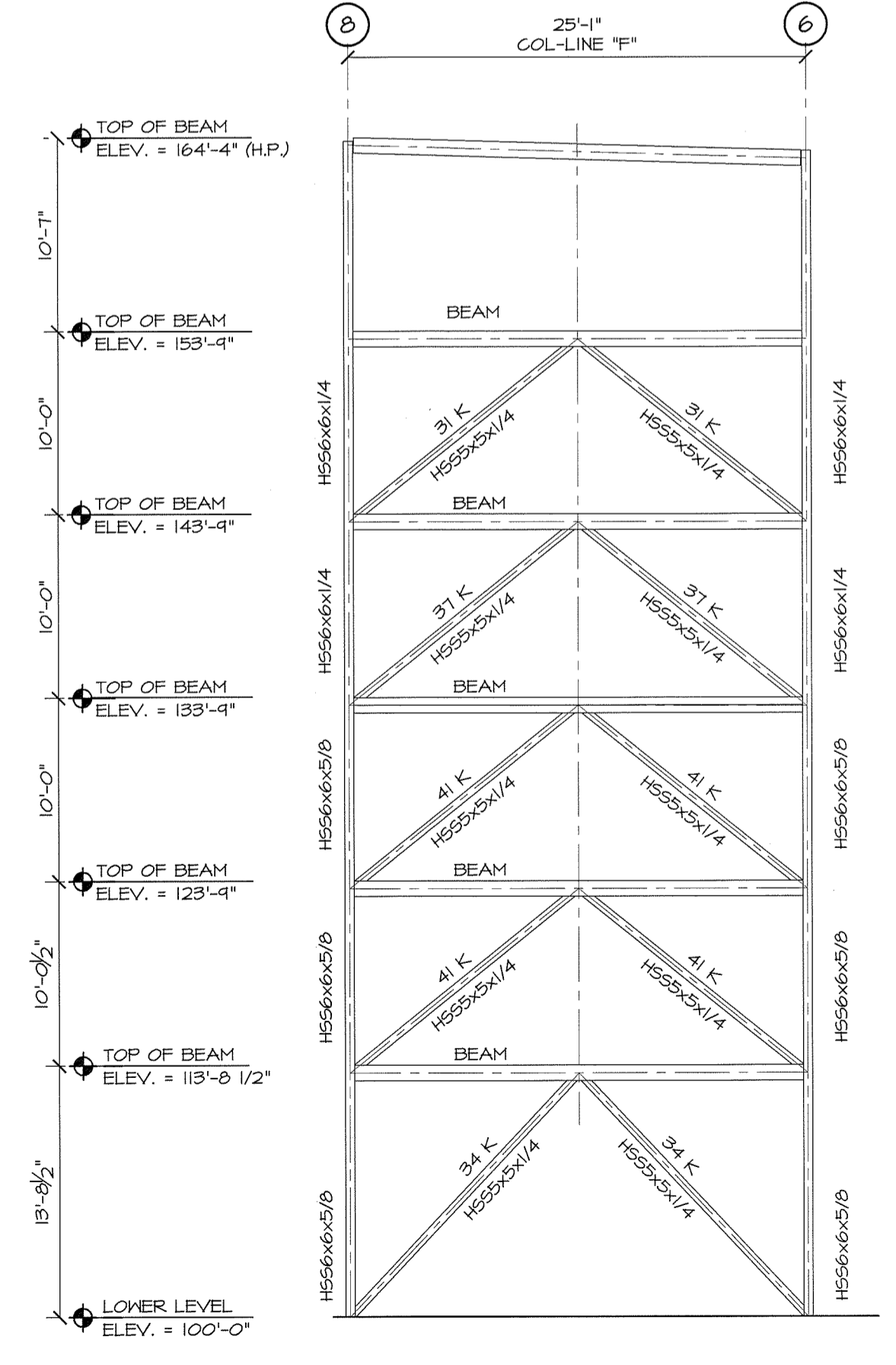
BRACED FRAME (4) ELEV.
1/8" = 1'-0"



BRACED FRAME (5) ELEV.
1/8" = 1'-0"



BRACED FRAME (6) ELEV.
1/8" = 1'-0"



BRACED FRAME (7) ELEV.
1/8" = 1'-0"



REVISION SCHEDULE	
DATE	REVISION DESCRIPTION
01-30-13	UPDATE BRACE FRAMING AND REVISE TITLE BLOCK
02-18-13	UPDATE FLOOR FRAMING PER LATERAL FRAMING CHANGES
02-20-13	PERMIT

COPECHEE
CONSTRUCTION CORPORATION
11 CORPORATE DRIVE, BELMONT NH 03220
PHONE (603) 527-9090 FAX (603) 527-9191

BRACED FRAME ELEVATIONS

PROJECT: COMMERCIAL & MAPLE STREET MIXED USE DEVELOPMENT PORTLAND, ME.

DATE: 02-20-13
SCALE: 1/8" = 1'-0"
DRAWN BY: E.J.L.
SHEET: 13