

NOTE: JOIST MANUFACTURER MAY REQUEST GIRDER JOIST LOAD PROFILES IF DESIGNATION SHOWN ON THESE DRAWINGS CANNOT BE ACHIEVED

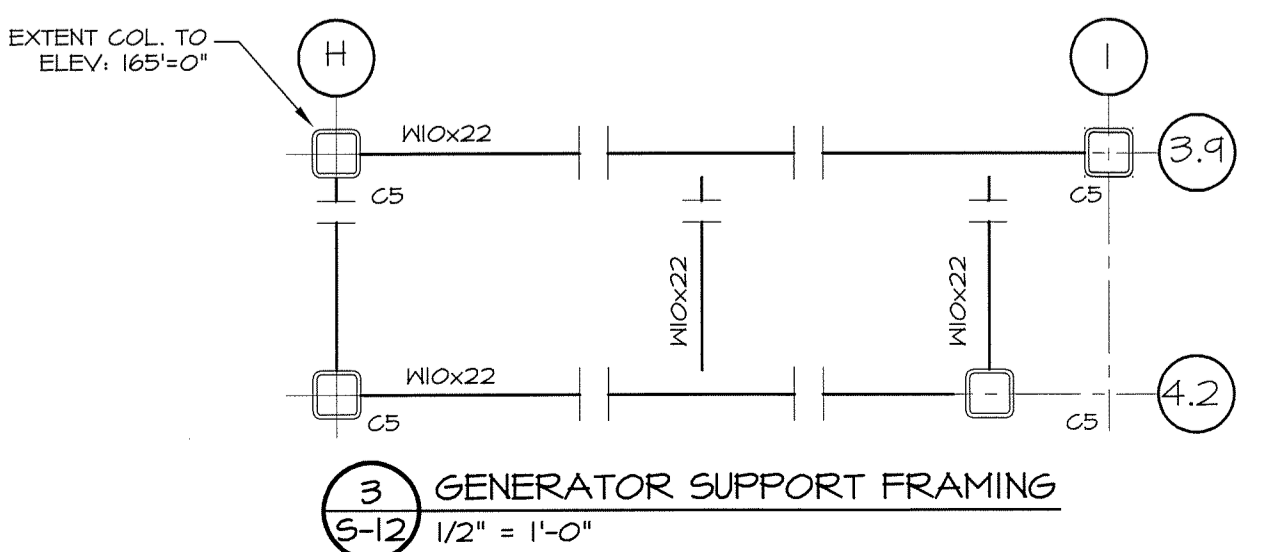
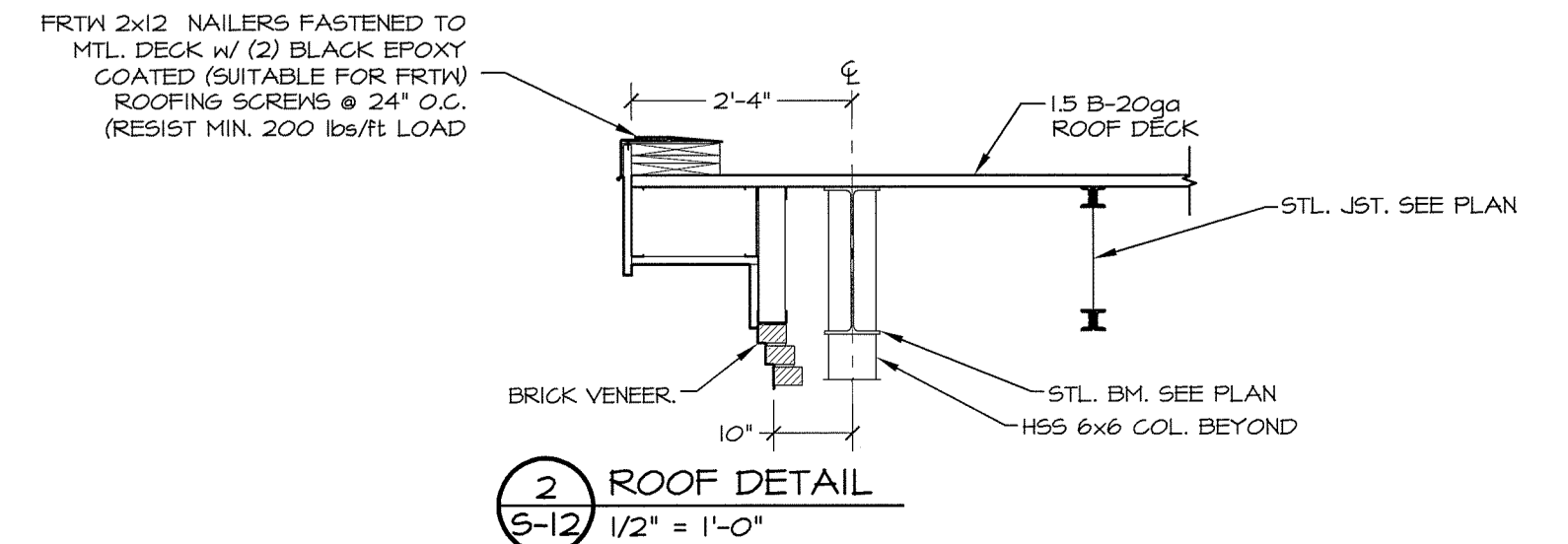
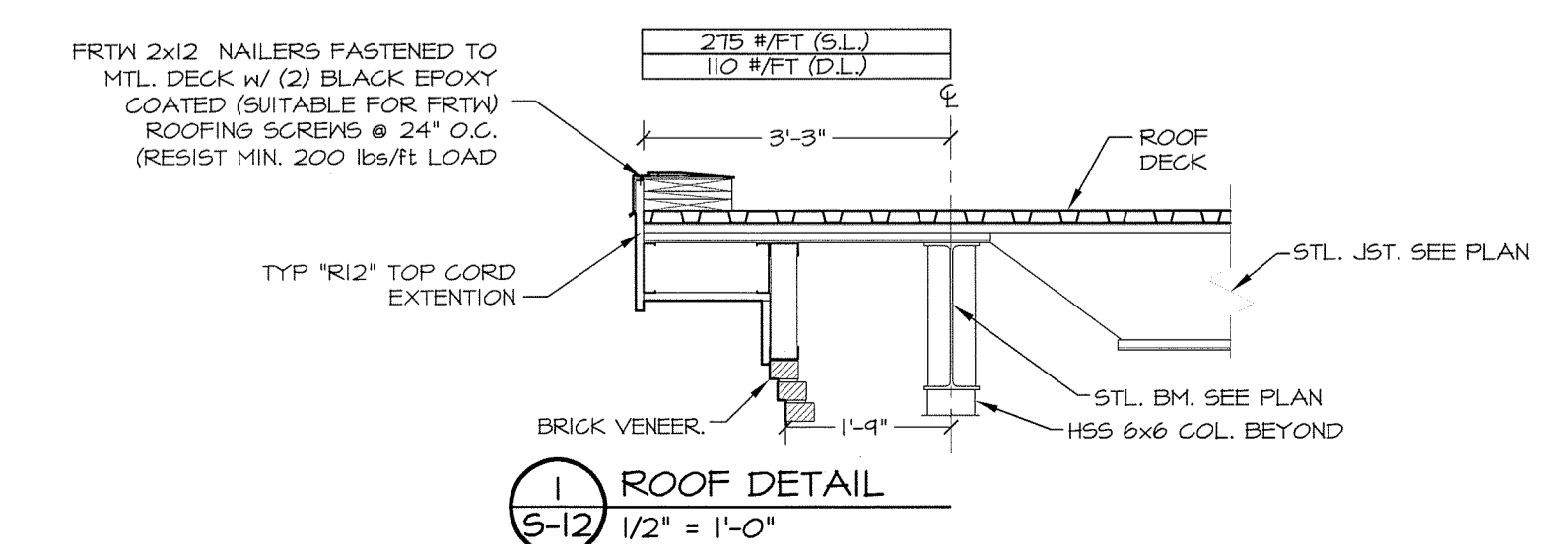
MARK	DESIGNATION
C1	HSS 6x6x5/8"
C2	HSS 6x6x1/2"
C3	HSS 6x6x3/8"
C4	HSS 6x6x5/16"
C5	HSS 6x6x1/4"
C6	HSS 6x6x3/16"
C7	HSS 10x6x1/4"

ROOF DECK = PRIMED WIDE RIB, TYPE B 22 GA, 1 1/2" DEEP MIN. 3-SPAN CONDITION. FASTEN TO SUPPORTING STEEL USING 5/8" PUDDLE WELDS IN 36/4" PATTERN. USE ONE (1) SIDELAP FASTENER PER SPAN MINIMUM (#10 TEK SCREW). FASTEN PERIMETER EDGE TO STEEL USING 5/8" PUDDLE WELDS @ 12" O.C.

GANT. ROOF DECK = PRIMED WIDE RIB, TYPE B 20 GA, 1 1/2" DEEP MIN. 3-SPAN CONDITION. FASTEN TO SUPPORTING STEEL USING 5/8" PUDDLE WELDS IN 36/4" PATTERN. USE ONE (1) SIDELAP FASTENER PER SPAN MINIMUM (#10 TEK SCREW). FASTEN PERIMETER EDGE TO STEEL USING 5/8" PUDDLE WELDS @ 12" O.C. SEE PLAN FOR LOCATIONS

TOP OF STEEL
164'-1 1/2" U.N.O.

TOP OF JOISTS + 2 1/2"
TOP OF GIRDERS + 0"



DATE	REVISION	BY
01-30-13	UPDATE FLOOR FRAMING AND REVISE TITLE BLOCK	E.L.L.
02-18-13	UPDATE FLOOR FRAMING PER LATERAL FRAMING CHANGES	E.L.L.
02-20-13	PERMIT	E.L.L.

COPECHED
CONSTRUCTION CORPORATION
11 CORPORATE DRIVE, BELMONT, NH 03220
PHONE (603) 527-9090 FAX (603) 527-9191

ROOF FRAMING PLAN

PROJECT: **COMMERCIAL & MAPLE STREET MIXED USE DEVELOPMENT**
PORTLAND, ME.

DATE: 02-20-13
SCALE: 1/8" = 1'-0"
DRAWN BY: E.L.L.

SHEET: **S12**

