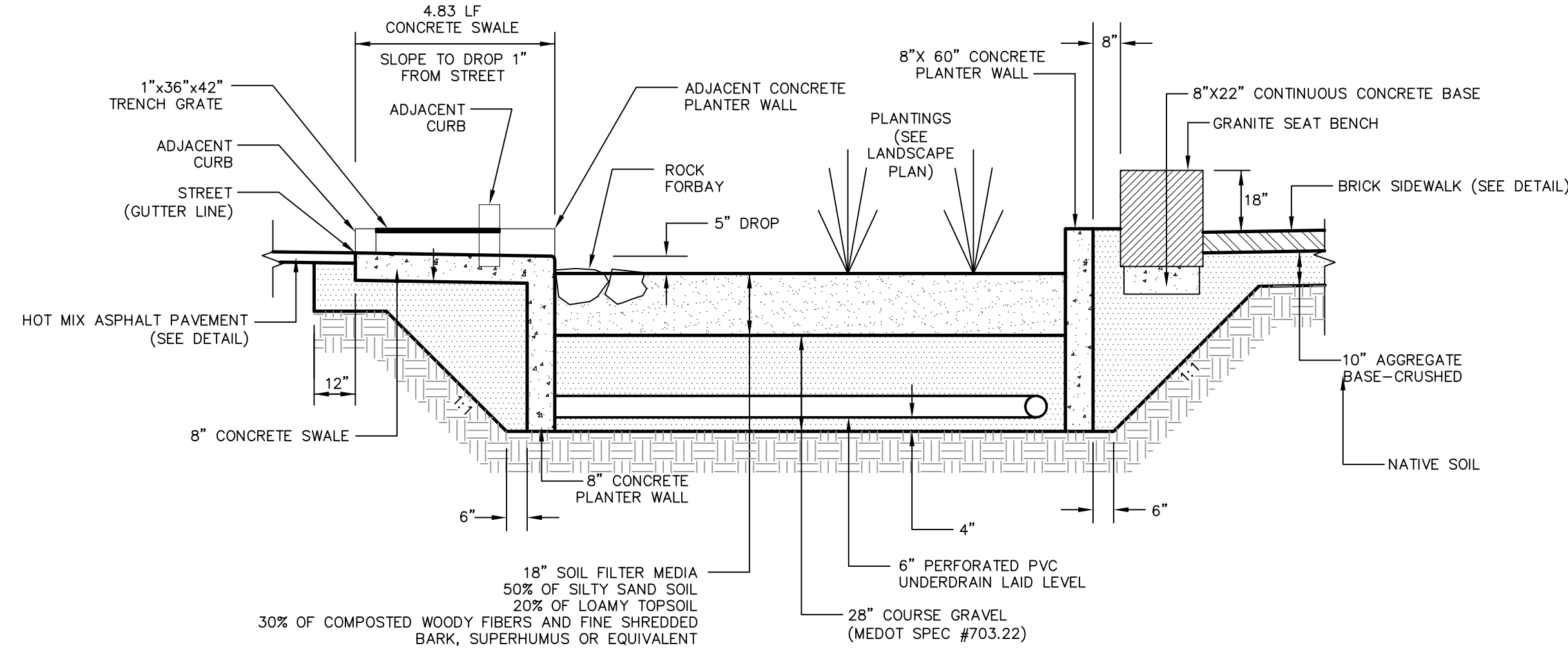
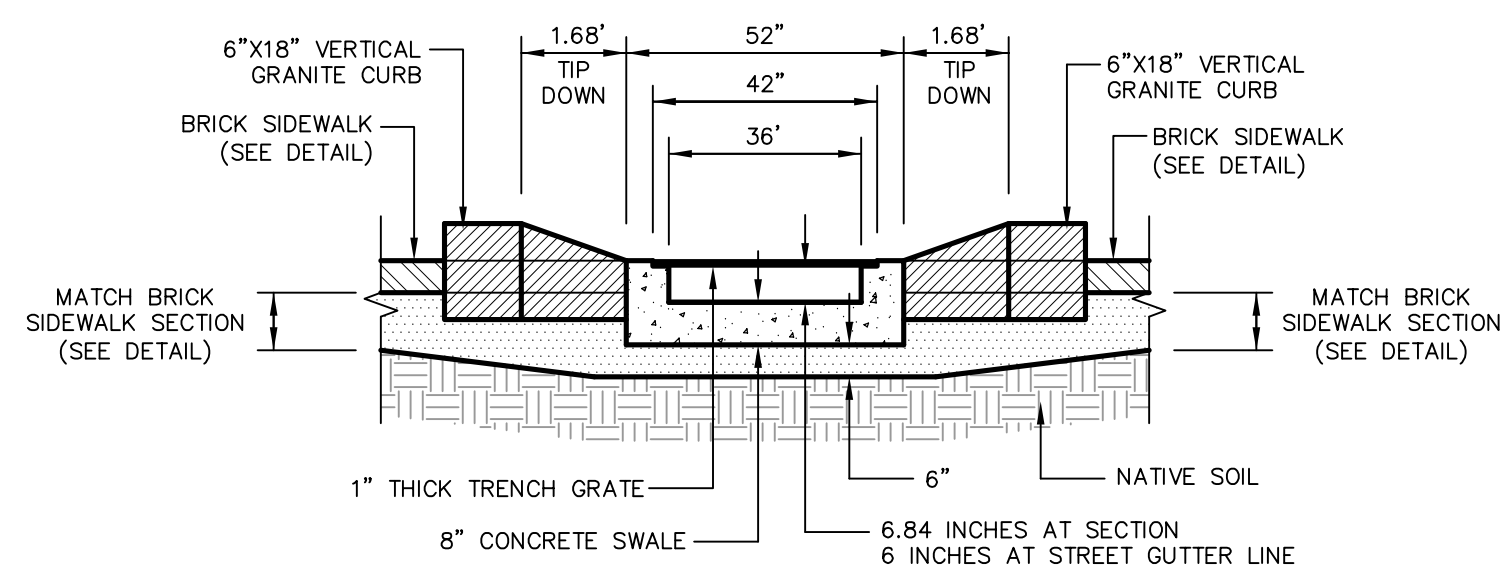


**SECTION A-A**  
SCALE: 1 INCH = 3 FEET

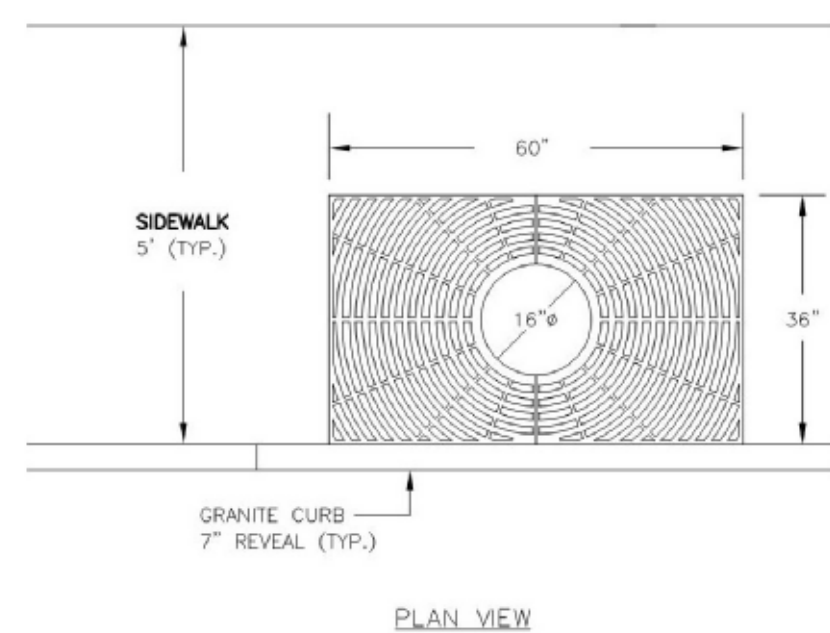


**SECTION B-B**  
SCALE: 1 INCH = 3 FEET

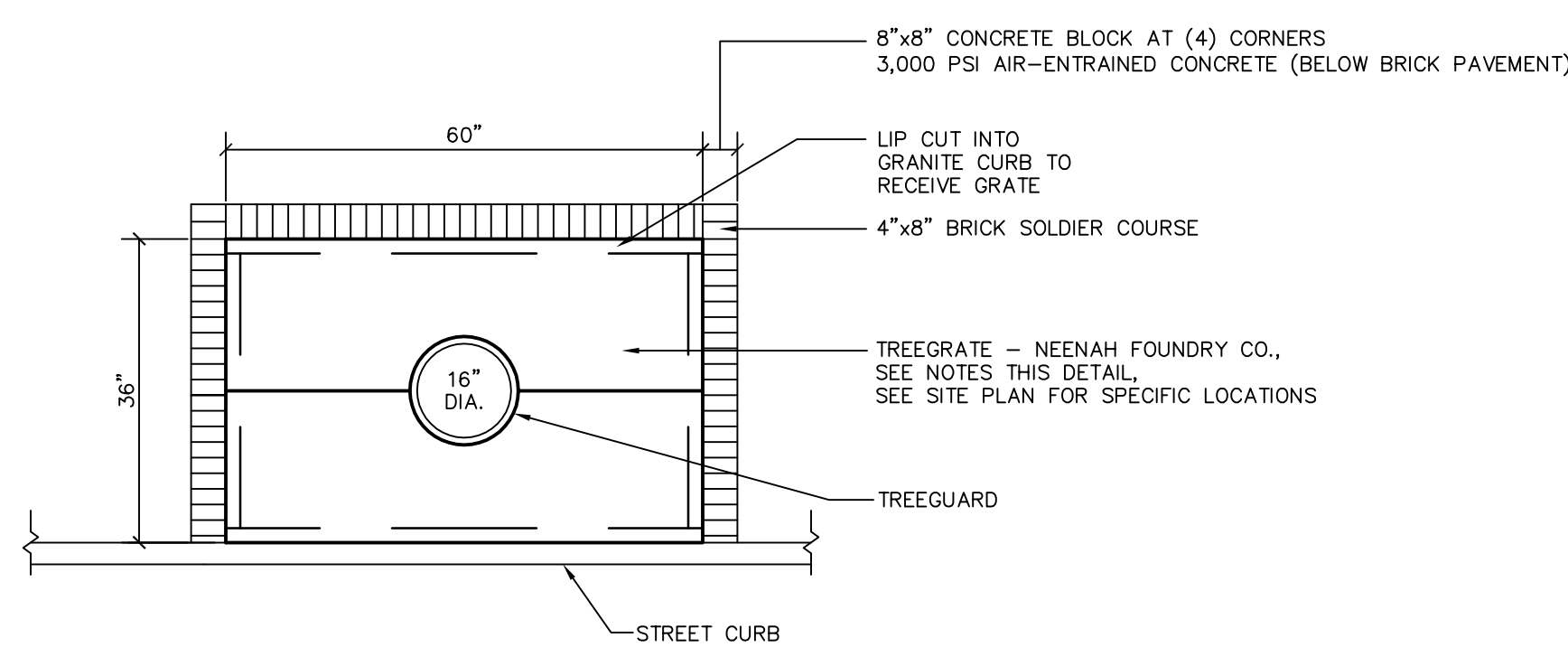


**SECTION C-C**  
SCALE: 1 INCH = 3 FEET

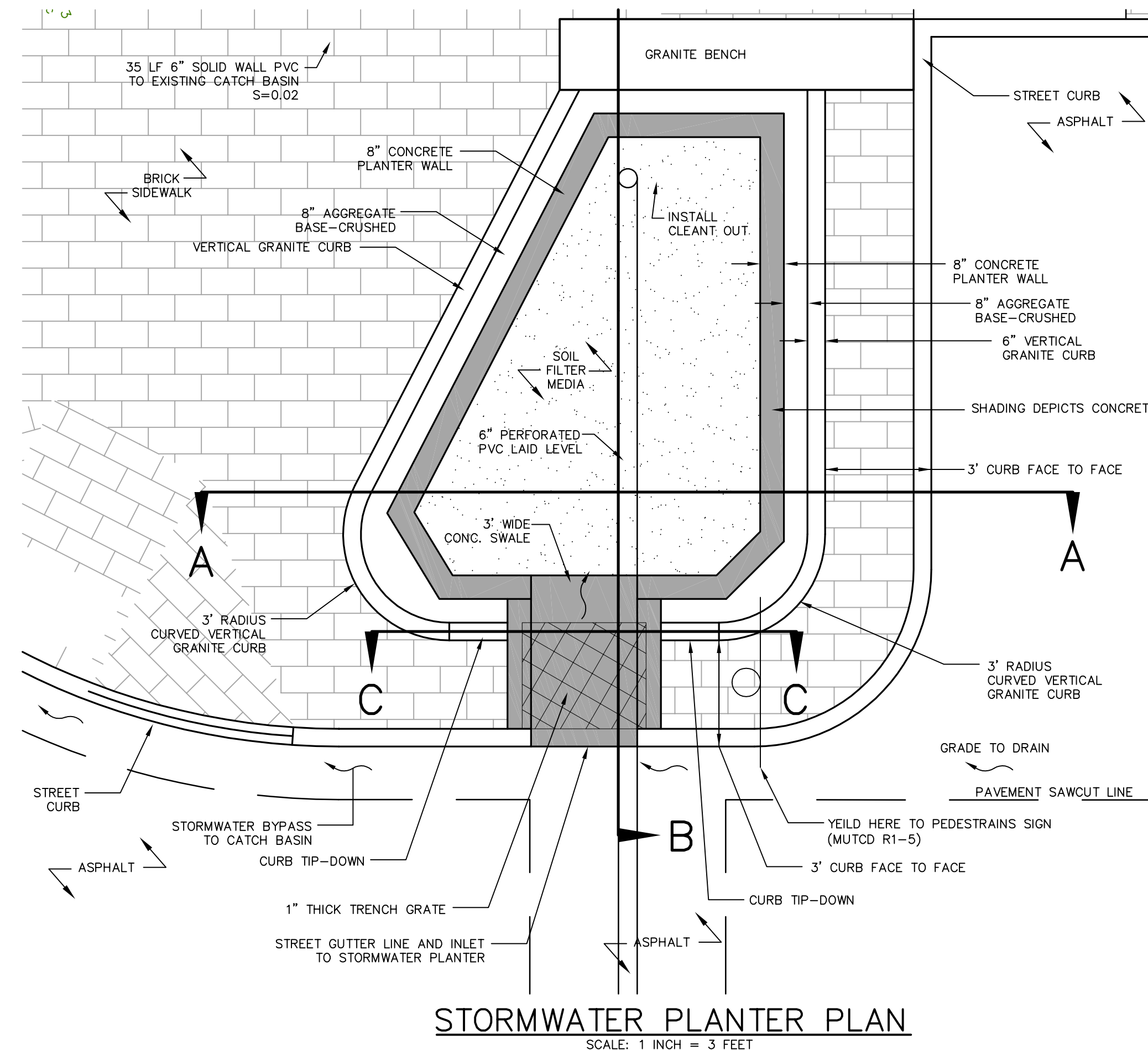
**NOTES:**  
16" EXPANDABLE TREE OPENING. 0.25" SLOT OPENINGS.  
SIDEWALK MATERIAL PER CITY SIDEWALK MATERIAL POLICY.  
WHEN THE TREE GRATE IS INSTALLED IN A CONCRETE SIDEWALK, A NOTCH MUST BE INSTALLED ALONG THE EDGE TO HOLD THE GRATE. WHEN INSTALLED IN A BRICK SIDEWALK IT REQUIRES A FRAME TO BE INSTALLED TO HOLD THE GRATE IN PLACE.



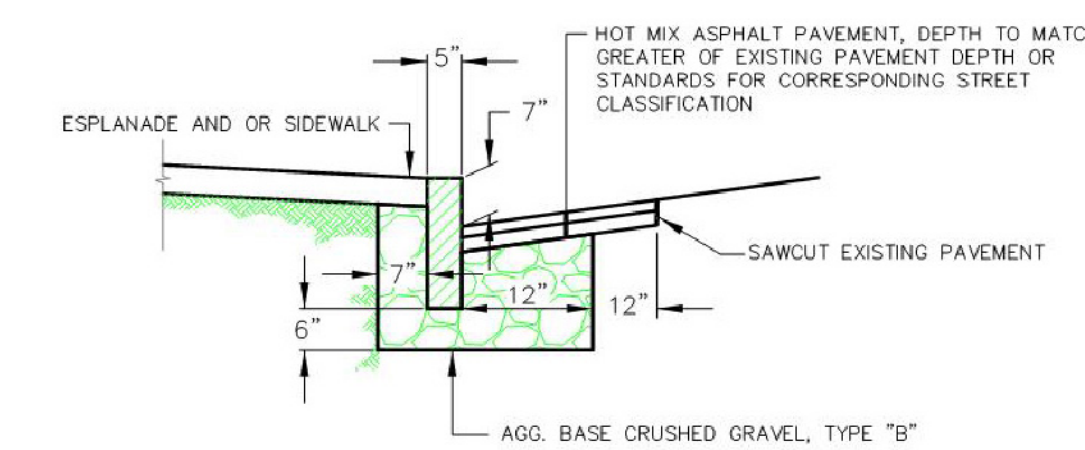
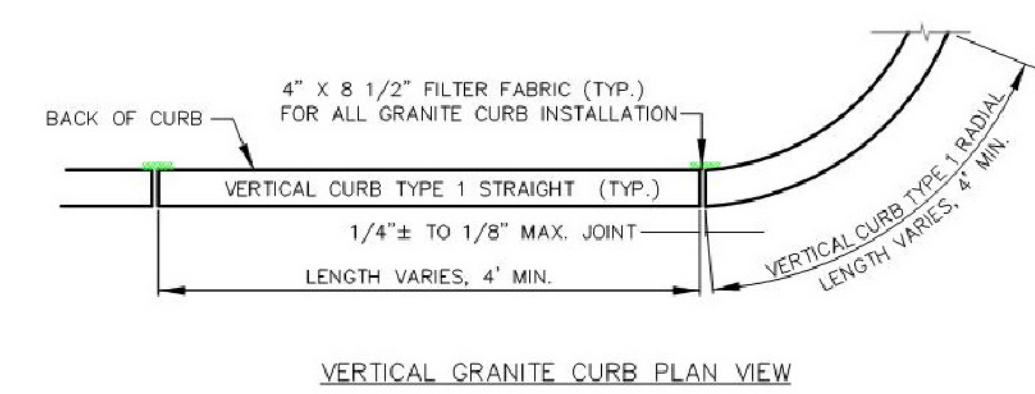
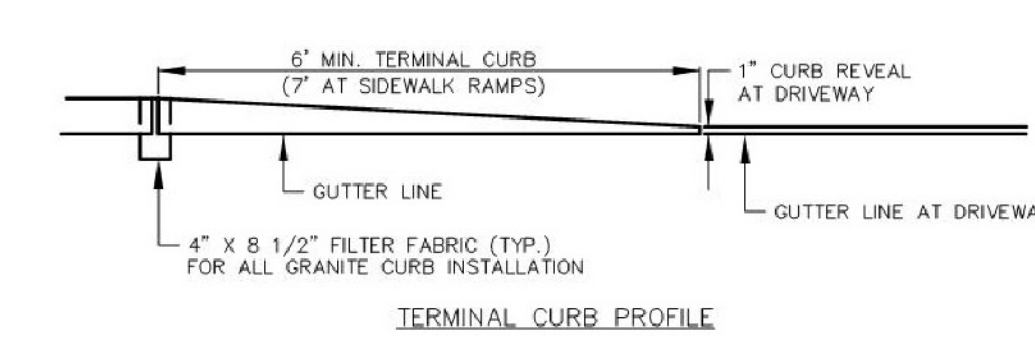
**EXPANDABLE TREE GRATE**  
NEENAH MODEL R-8810  
NOT TO SCALE



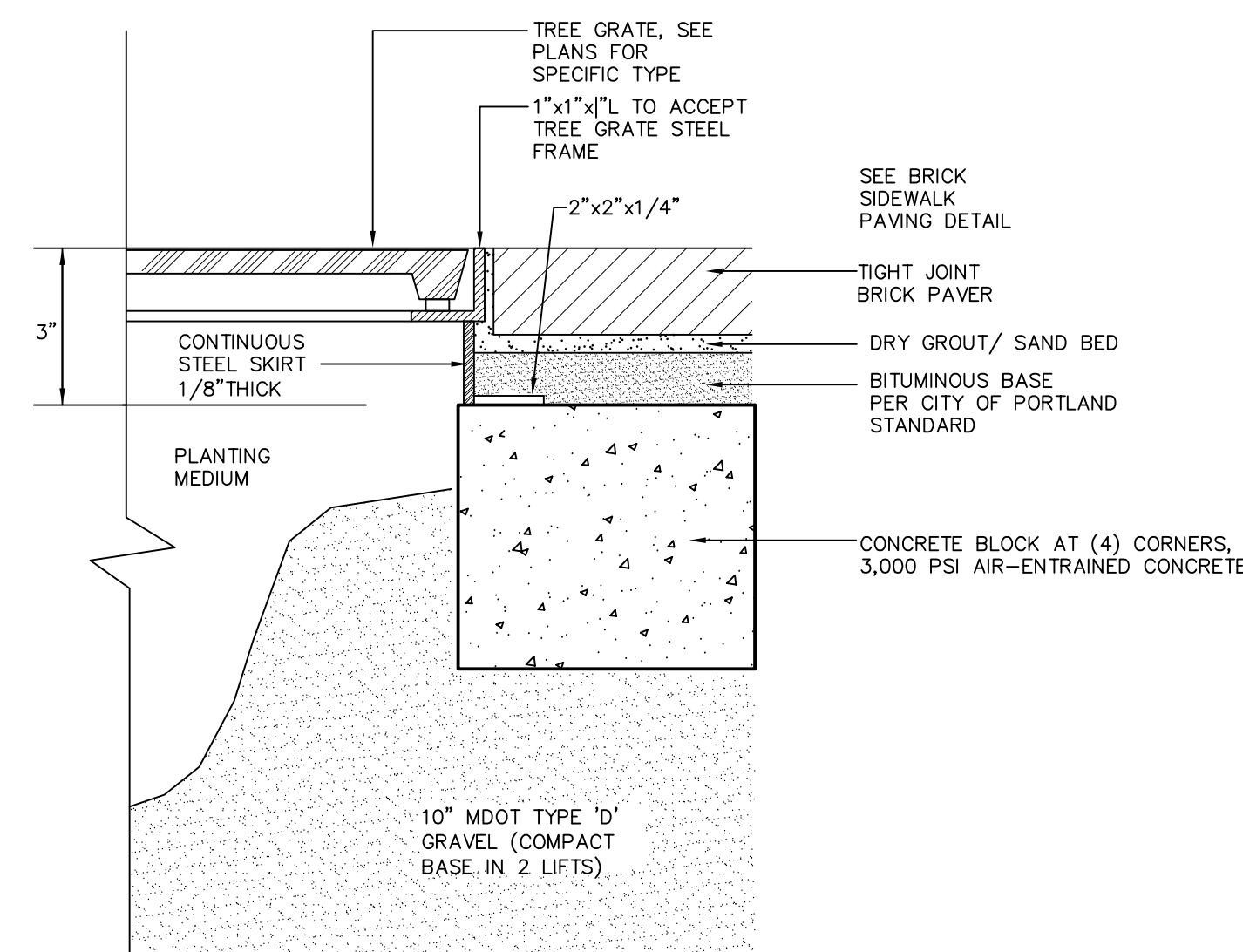
**TREE GRATE DETAIL**  
NOT TO SCALE



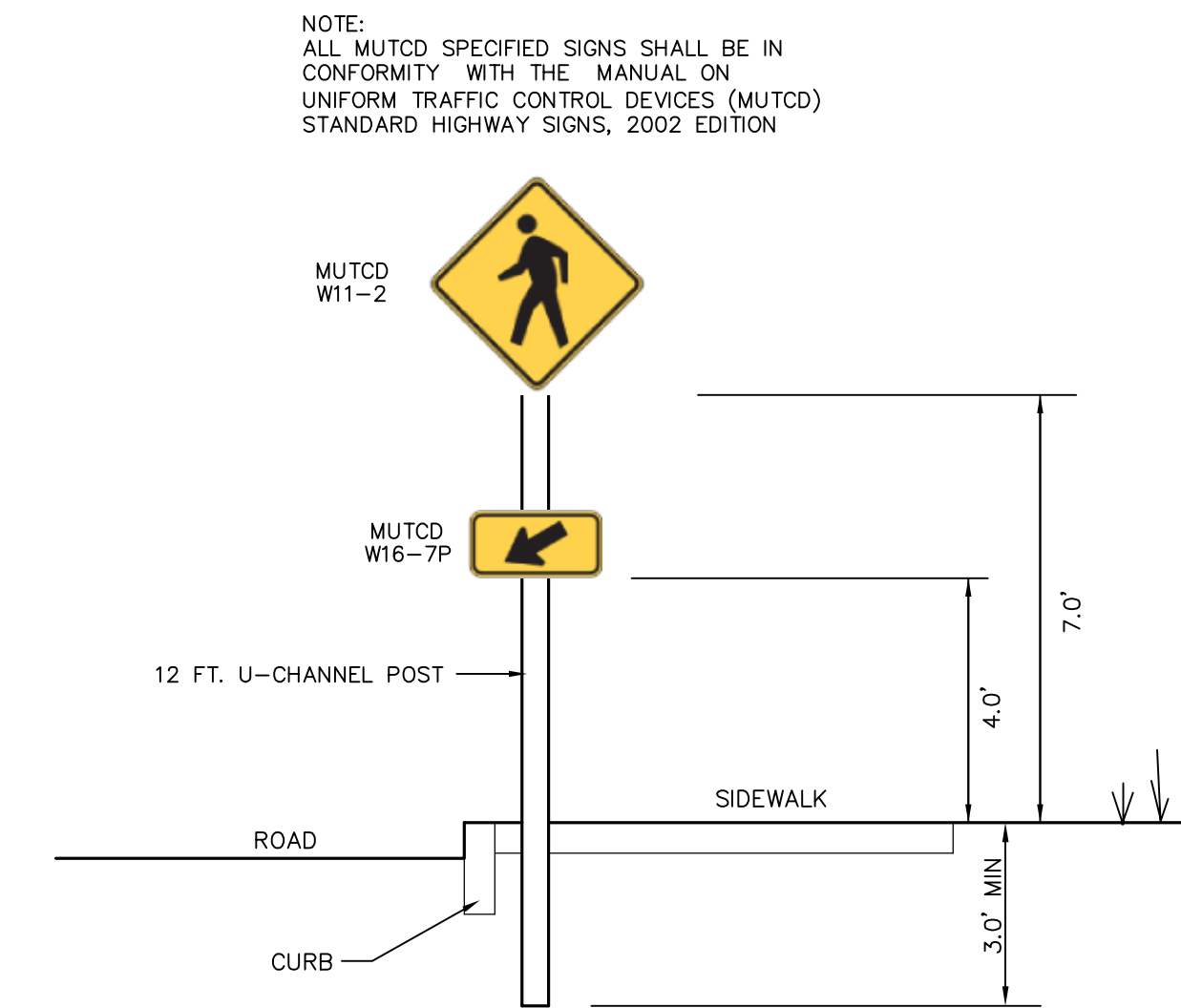
**STORMWATER PLANTER PLAN**  
SCALE: 1 INCH = 3 FEET



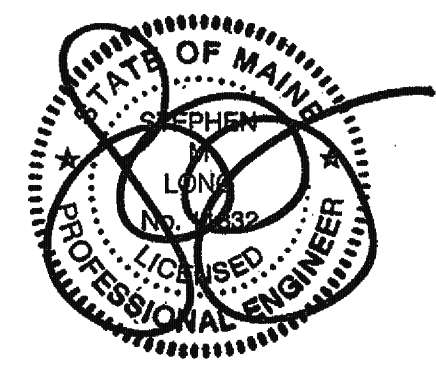
**VERTICAL GRANITE CURB**  
INSTALLATION IN EXISTING STREETS  
NOT TO SCALE



**TYPICAL SECTION TREE GRATE FRAME**  
NOT TO SCALE



**POLE MOUNTED CROSSWALK WARNING SIGN**  
NOT TO SCALE



DATE	REVISION	SCHEDULE	REVISION DESCRIPTION
01-02-13			REVISED PER CITY STAFF AND HISTORICAL/PLANNING BOARD COMMENTS
01-15-13			REVISED PER CITY STAFF AND HISTORICAL/PLANNING BOARD COMMENTS
02-05-13			ADDED CROSSWALK WARNING SIGN

**LOPECHEE**  
CONSTRUCTION CORPORATION  
11 CORPORATE DRIVE, BELMONT NH 03220  
PHONE: (603) 527-9000 FAX: (603) 527-9191

**CONSTRUCTION**  
**DETAILS**

**COMMERCIAL & MAPLE STREET**  
**MIXED USE DEVELOPMENT**  
PORTLAND, ME

PROJECT:	DATE:
SCALE:	1" = 20'
DRAWN BY:	BJJ
<b>C11</b>	SHEET: 11 OF 14